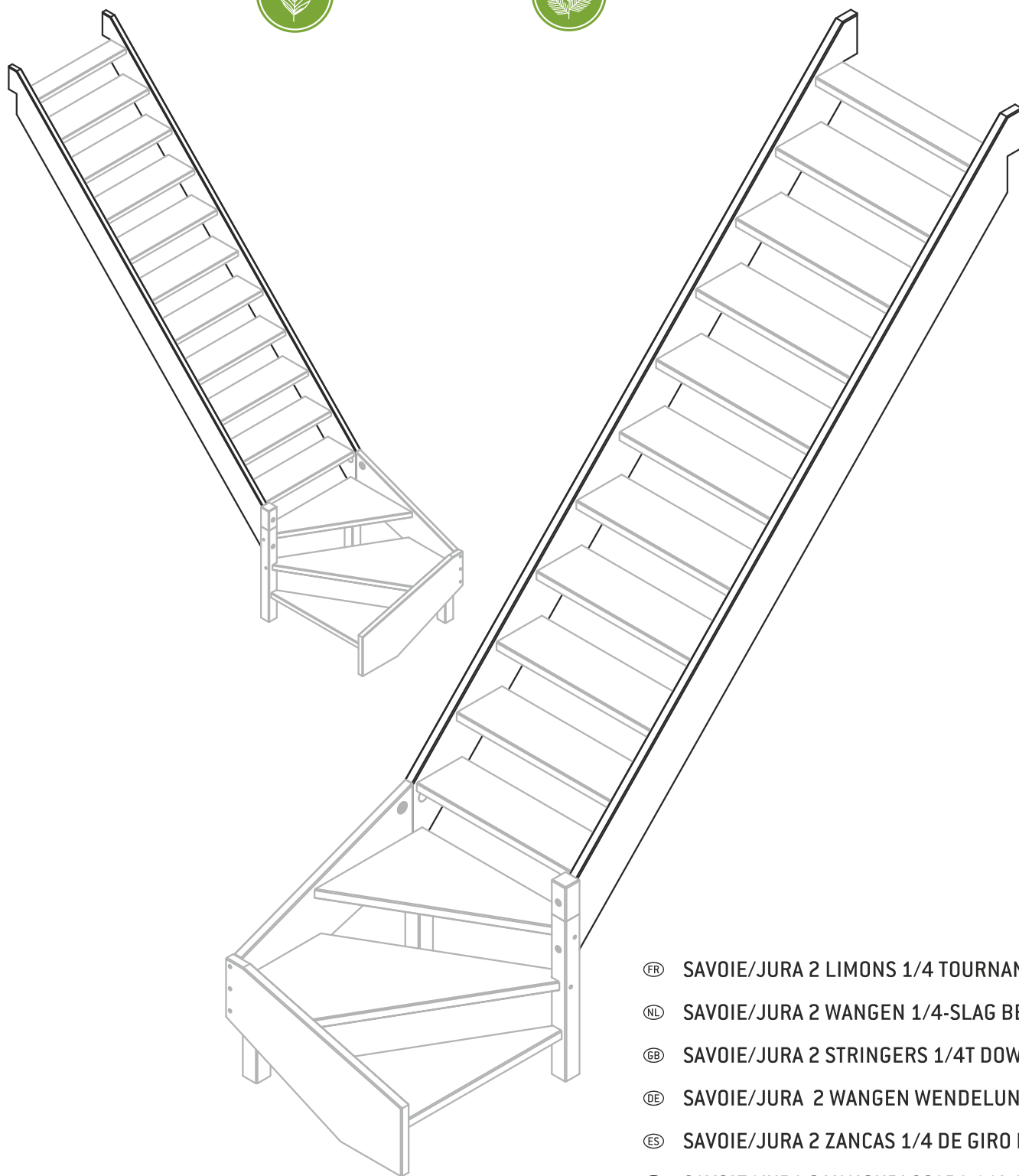
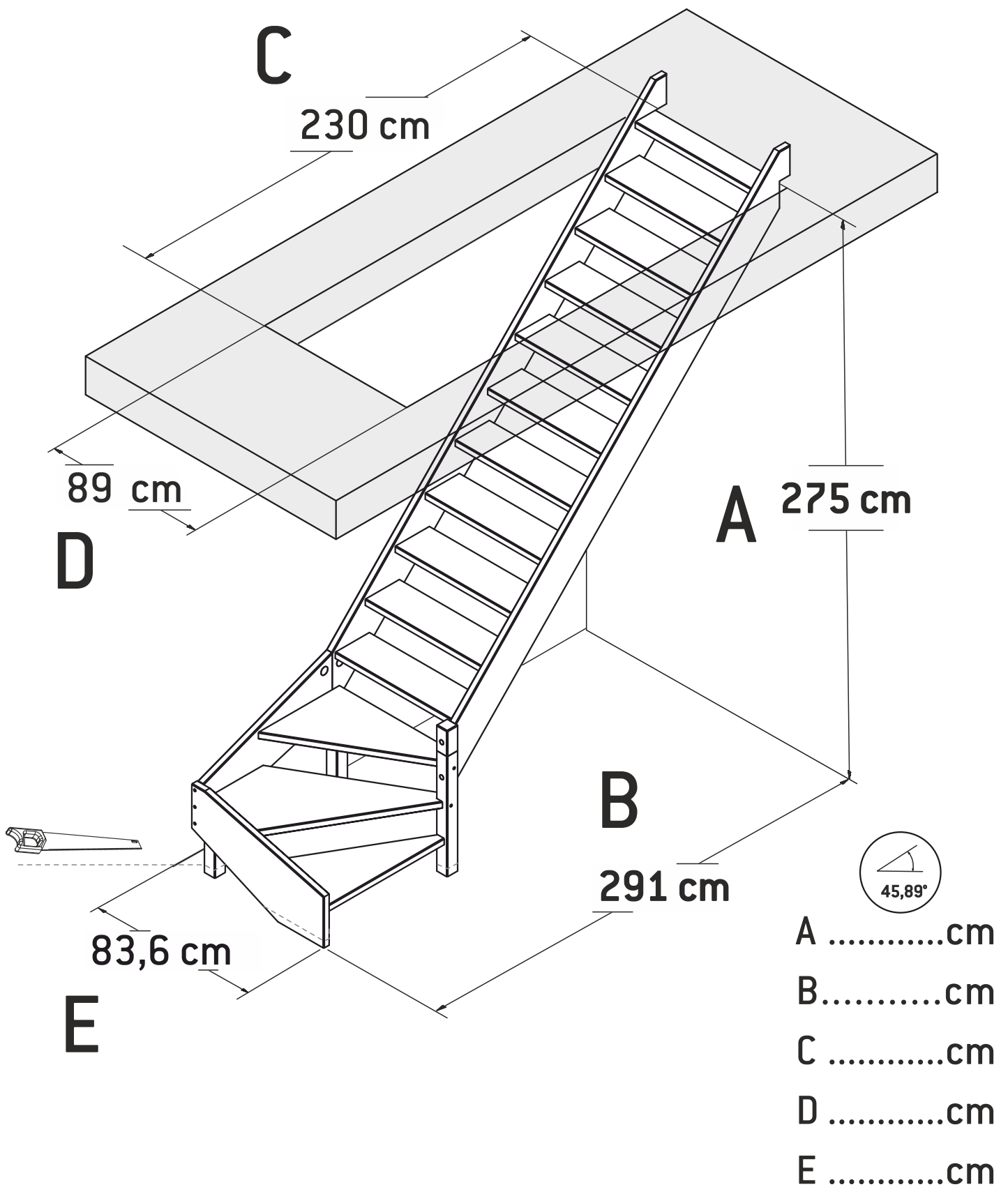


SAVOIE-JURA 1/4T

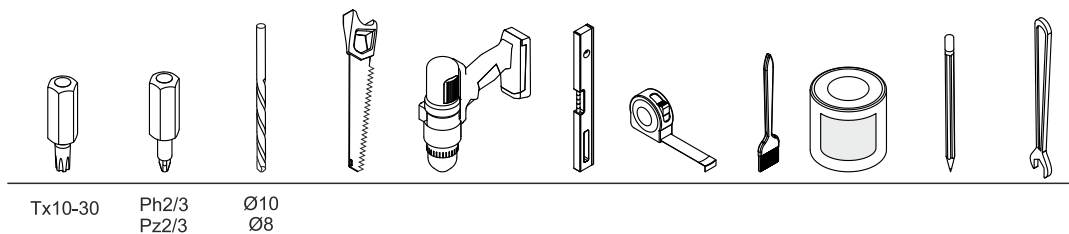
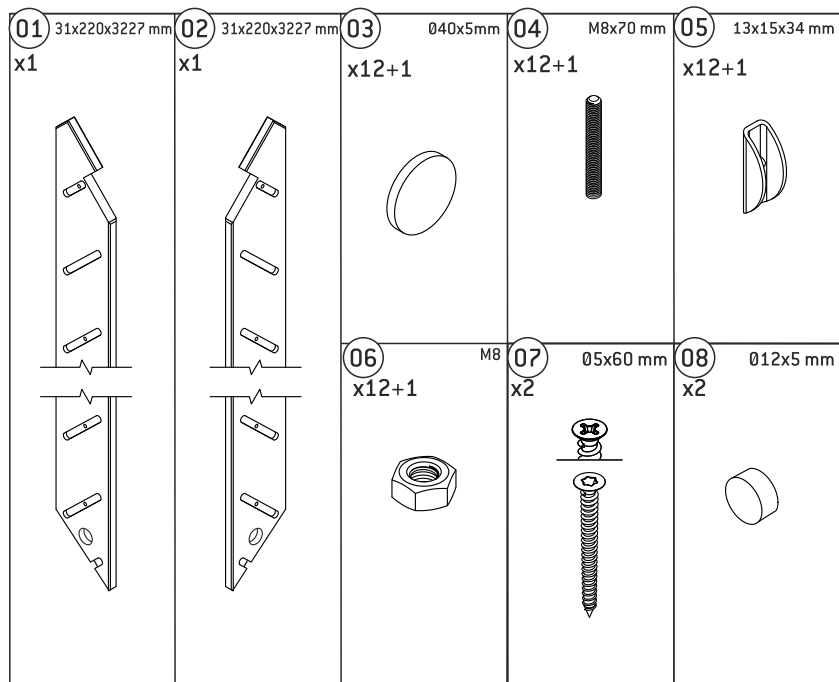


PL SAVOIE/JURA SCHODY Z ZABIEGIEM 1/4 DOLNYM

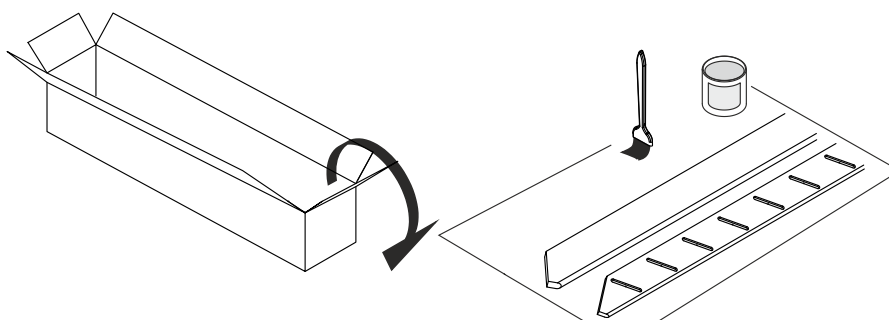
- FR SAVOIE/JURA 2 LIMONS 1/4 TOURNANT BAS
- NL SAVOIE/JURA 2 WANGEN 1/4-SLAG BENEDEN
- GB SAVOIE/JURA 2 STRINGERS 1/4T DOWN
- DE SAVOIE/JURA 2 WANGEN WENDELUNG UNTEN
- ES SAVOIE/JURA 2 ZANCAS 1/4 DE GIRO BAJO
- RO SAVOIE/JURA 2 VANGURI SCARA 1/4 JOS
- LT SAVOIE/JURA LAIPTŲ SU POSŪKIU TIESIOSIOS DALIES ŠONINIAI UŽDENGIMAI



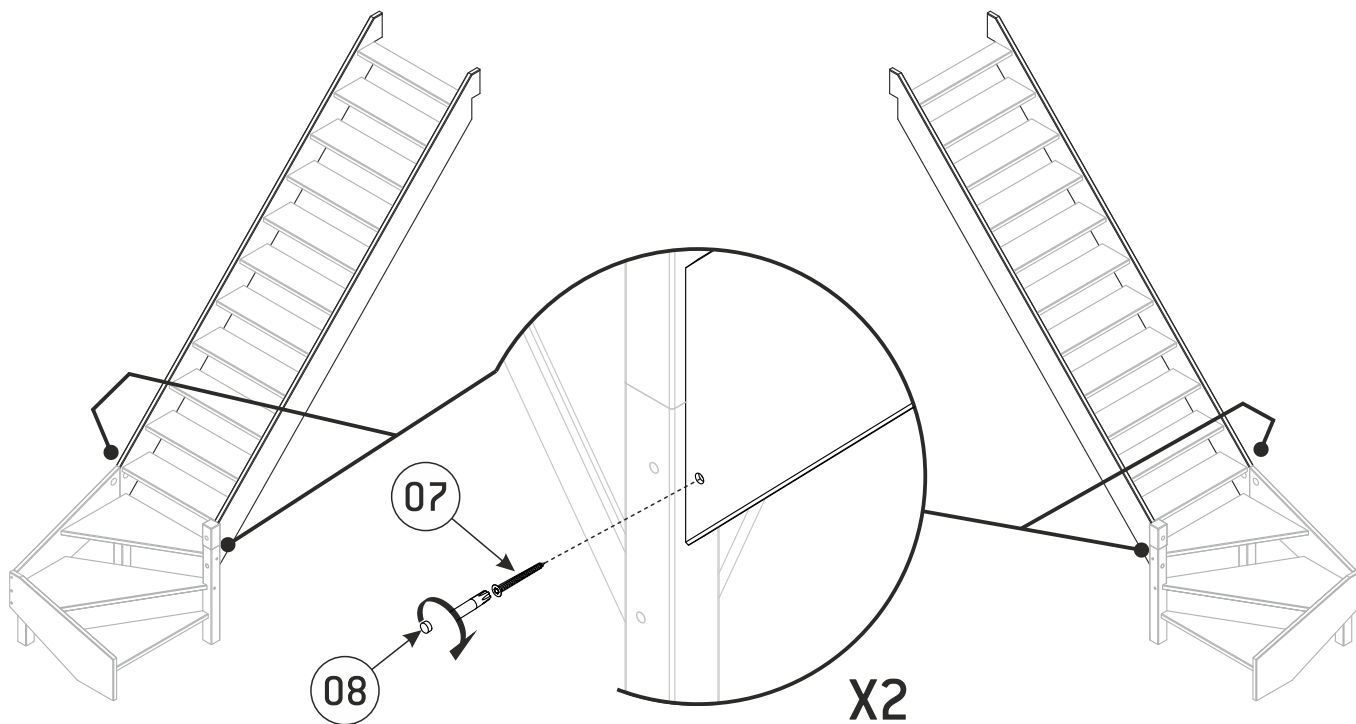
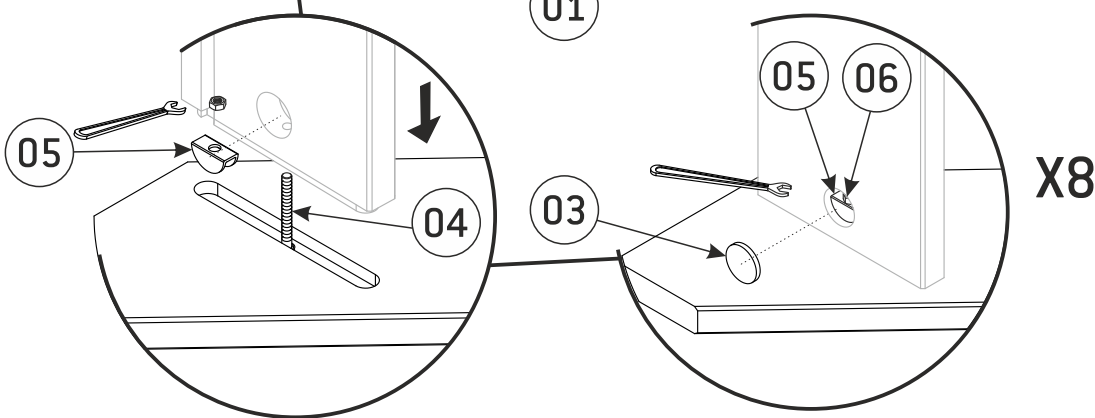
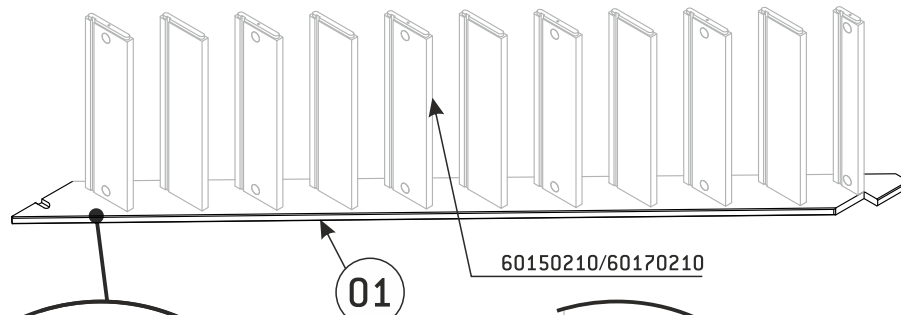
- Acm
- B.....cm
- Ccm
- Dcm
- Ecm



1



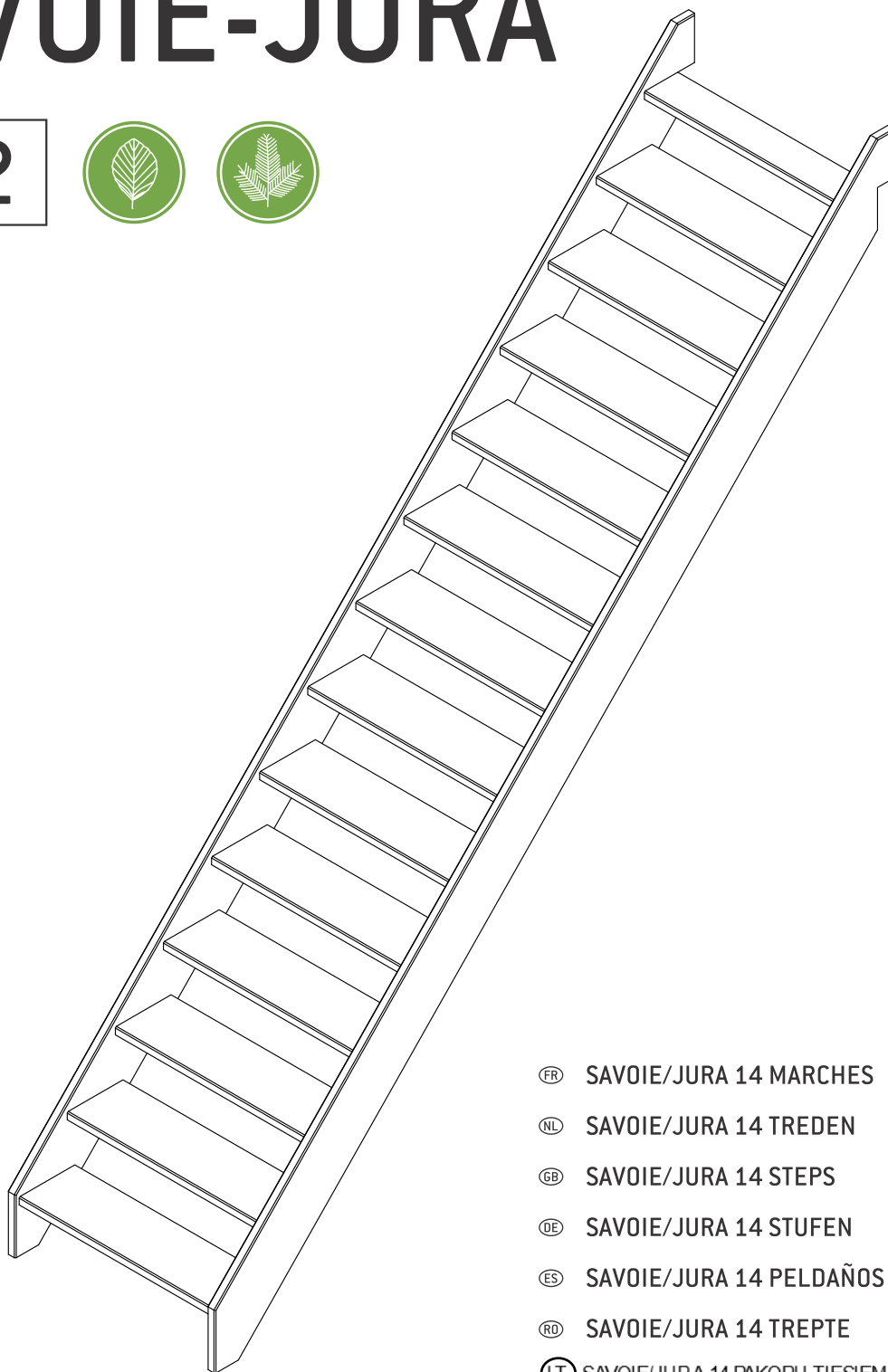
2



Producent: SOGEM Group, Rue Grimard, 39 B-6061 Montignies-Sur-Sambre (Charleroi) - Belgia
 Dystrybutor: DOLLE Sp. z o.o., ul. Międzyrzeczka 149, 43-382 Bielsko-Biała, Polska
 Tel. 33 827-24-90, E-mail: biuro@dolle.com

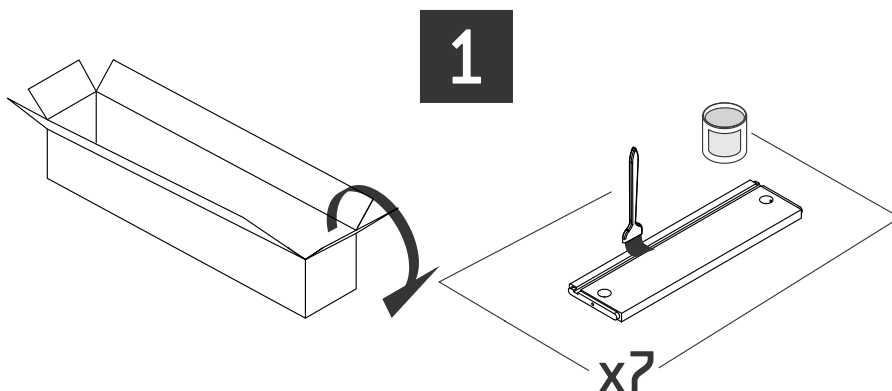
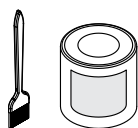
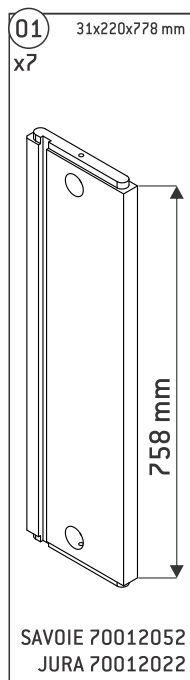
SAVOIE-JURA

1 2



- FR SAVOIE/JURA 14 MARCHES
- NL SAVOIE/JURA 14 TREDEN
- GB SAVOIE/JURA 14 STEPS
- DE SAVOIE/JURA 14 STUFEN
- ES SAVOIE/JURA 14 PELDAÑOS
- RO SAVOIE/JURA 14 TREPTE
- LT SAVOIE/JURA 14 PAKOPŲ TIESIEMS LAIPTAMS
- PL SAVOIE/JURA 14 STOPNI

1 **2**

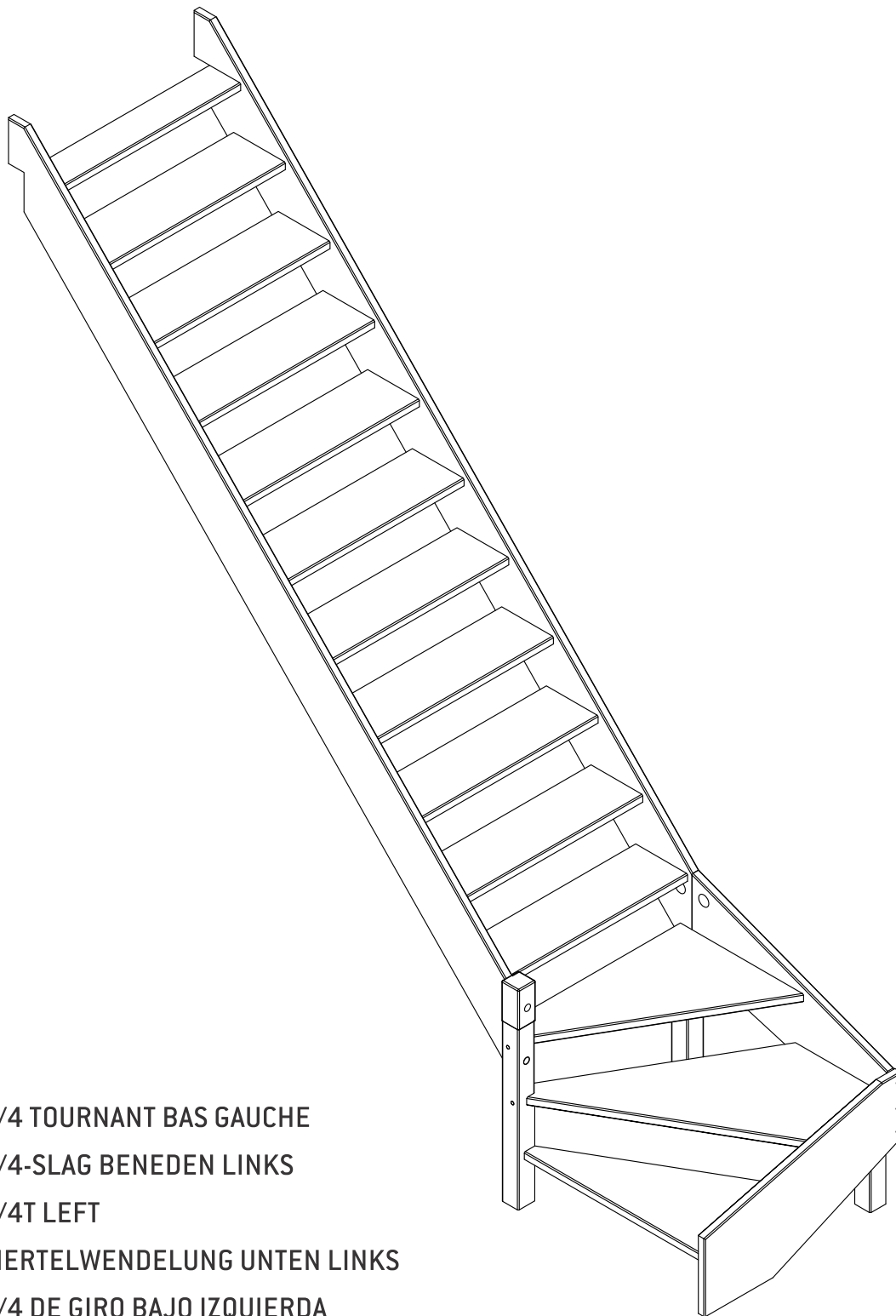


Producent: SOGEM Group, Rue Grimard, 39 B-6061 Montignies-Sur-Sambre (Charleroi) - Belgia
 Dystrybutor: DOLLE Sp. z o.o., ul. Międzyrzecka 149, 43-382 Bielsko-Biała, Polska
 Tel. 33 827-24-90, E-mail: biuro@dolle.com

SOGEM

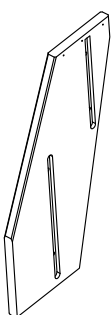
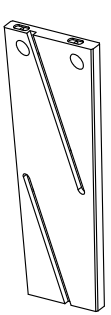
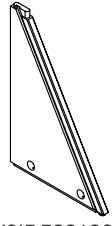
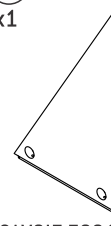
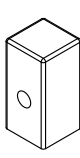
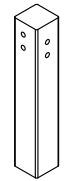
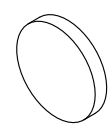
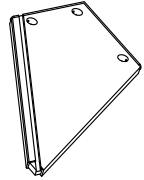
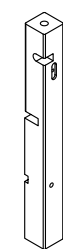






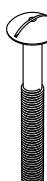
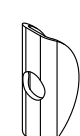








DOLLE

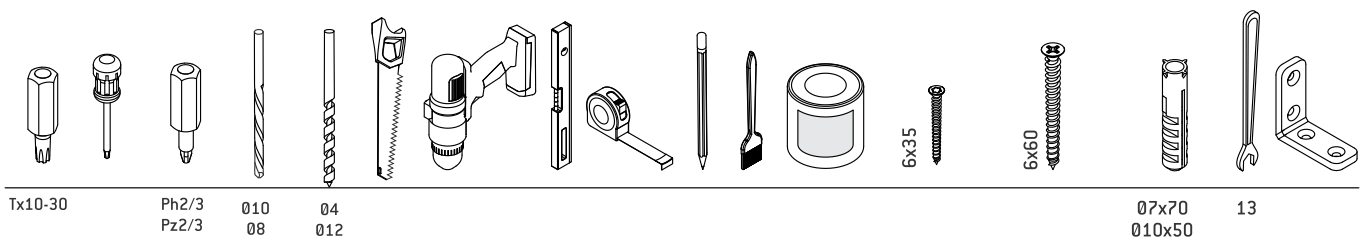
SAVOIE-JURA



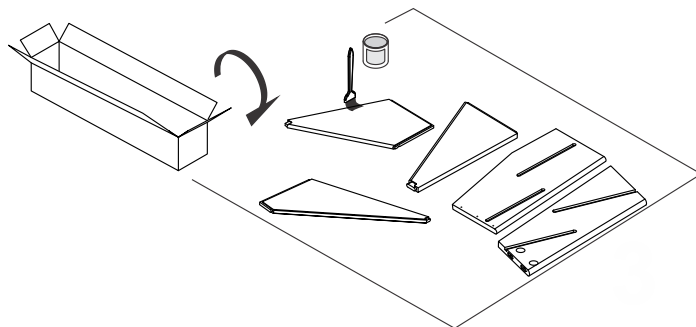
- Ⓡ FR SAVOIE/JURA 1/4 TOURNANT BAS GAUCHE
- Ⓡ NL SAVOIE/JURA 1/4-SLAG BENEDEN LINKS
- Ⓡ GB SAVOIE/JURA 1/4T LEFT
- Ⓡ DE SAVOIE/JURA VIERTELWENDELUNG UNTEN LINKS
- Ⓡ ES SAVOIE/JURA 1/4 DE GIRO BAJO IZQUIERDA
- Ⓡ RO SAVOIE/JURA 1/4 T STANGA JOS
- Ⓡ LT SAVOIE/JURA APATINIS 1/4 POSŪKIS Į KAIRĘ
- Ⓡ PL SAVOIE/JURA ZABIEG 1/4 LEWY

SAVOIE+JURA QT BAS GAUCHE

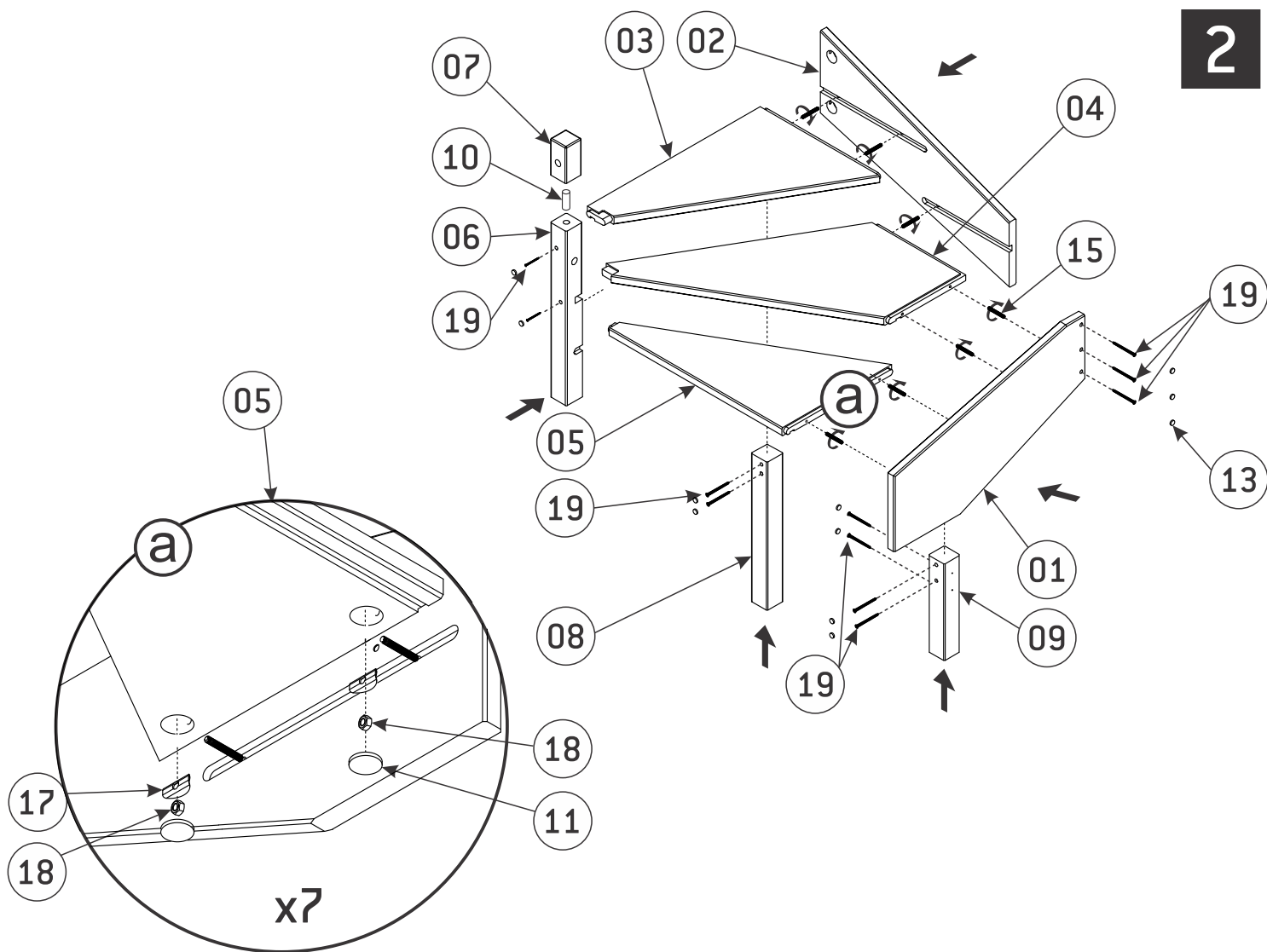
<p>01 31x483x836 mm x1</p>  <p>SAVOIE 70012057 JURA 70012027</p>	<p>02 31x563x828 mm x1</p>  <p>SAVOIE 70012058 JURA 70012028</p>	<p>03 31x523x782 mm x1</p>  <p>SAVOIE 70012059 JURA 70012029</p>	<p>05 31x482x782 mm x1</p>  <p>SAVOIE 70012060 JURA 70012030</p>	<p>07 70x70x140 mm x1</p> 	<p>09 70x70x367 mm x1</p> 	<p>11 040 x 6 mm x11+1</p> 
		<p>04 31x752x827 mm x1</p>  <p>SAVOIE 70012061 JURA 70012031</p>	<p>06 70x70x663,5 mm x1</p>  <p>SAVOIE 70012062 JURA 70012032</p>	<p>08 70x70x563 mm x1</p> 	<p>10 020 x 50 mm x1</p> 	<p>12 020 x 6 mm x2</p> 
<p>13 012 x 6 mm x12</p> 	<p>14 08 x 110 mm x1</p> 	<p>15 08 x 70 mm x8</p> 	<p>16 08 x 70 mm x1</p> 	<p>17 1.5x11x18.6mm x11</p> 	<p>18 M8 x11</p> 	
<p>19 05x60 mm x12+2</p>  <p>70031053</p>	<p>20 08 x 110 mm x1</p> 					    

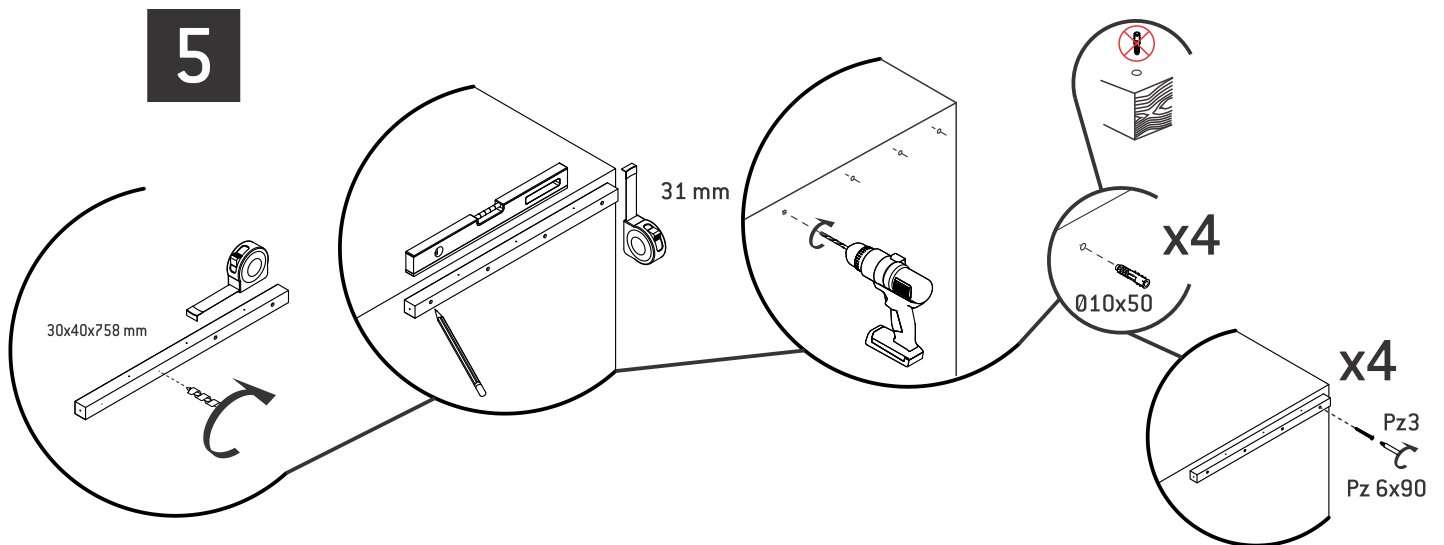
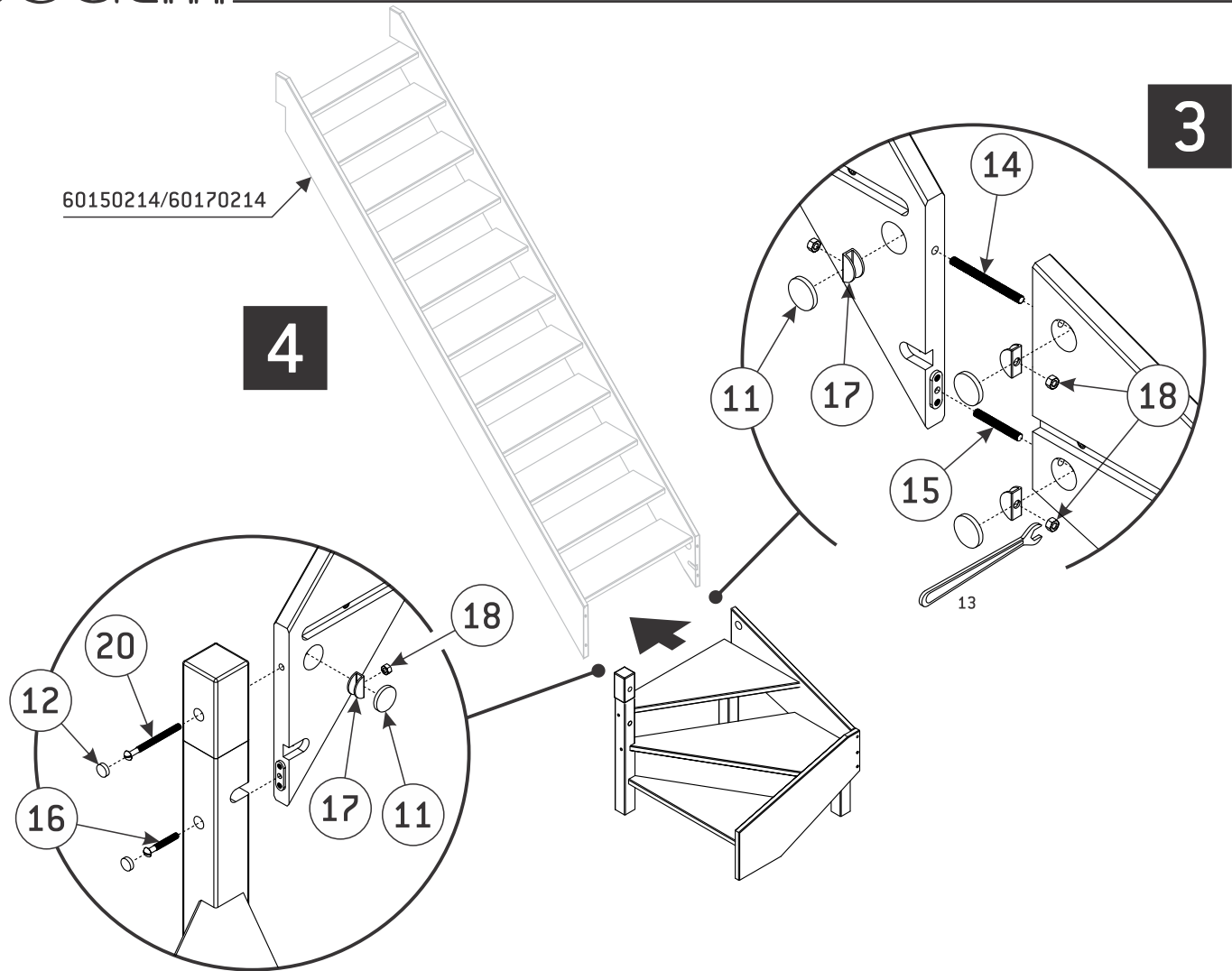


1

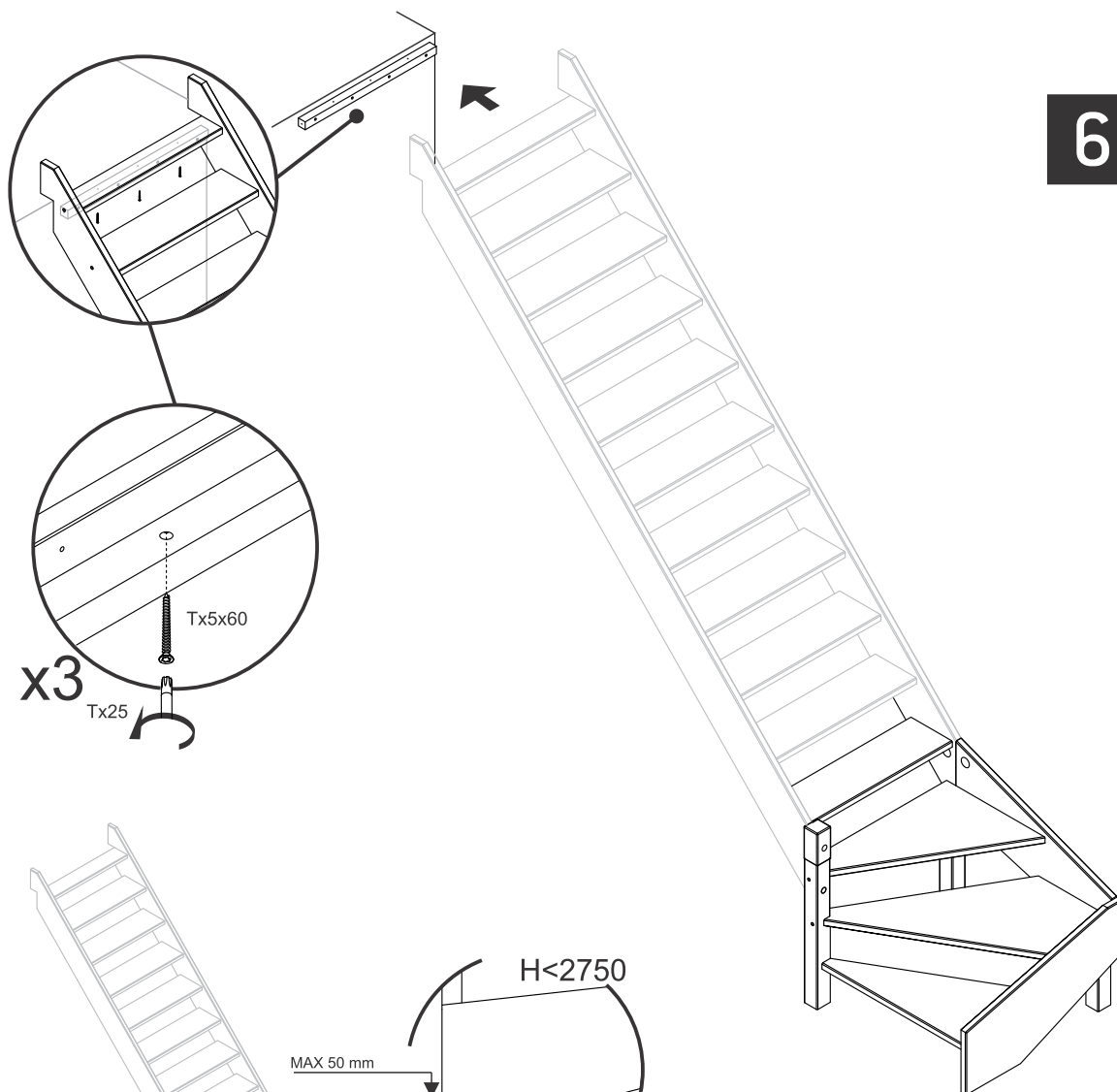


2

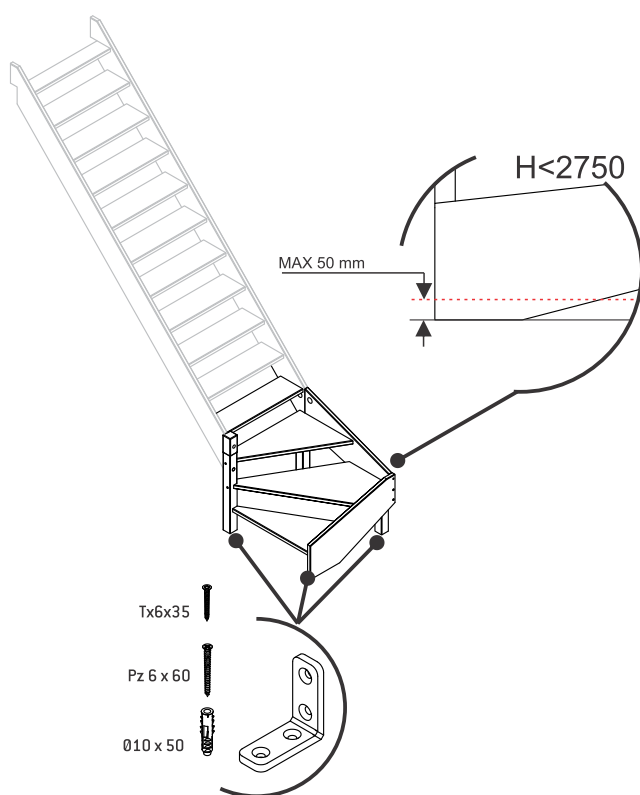




6



7

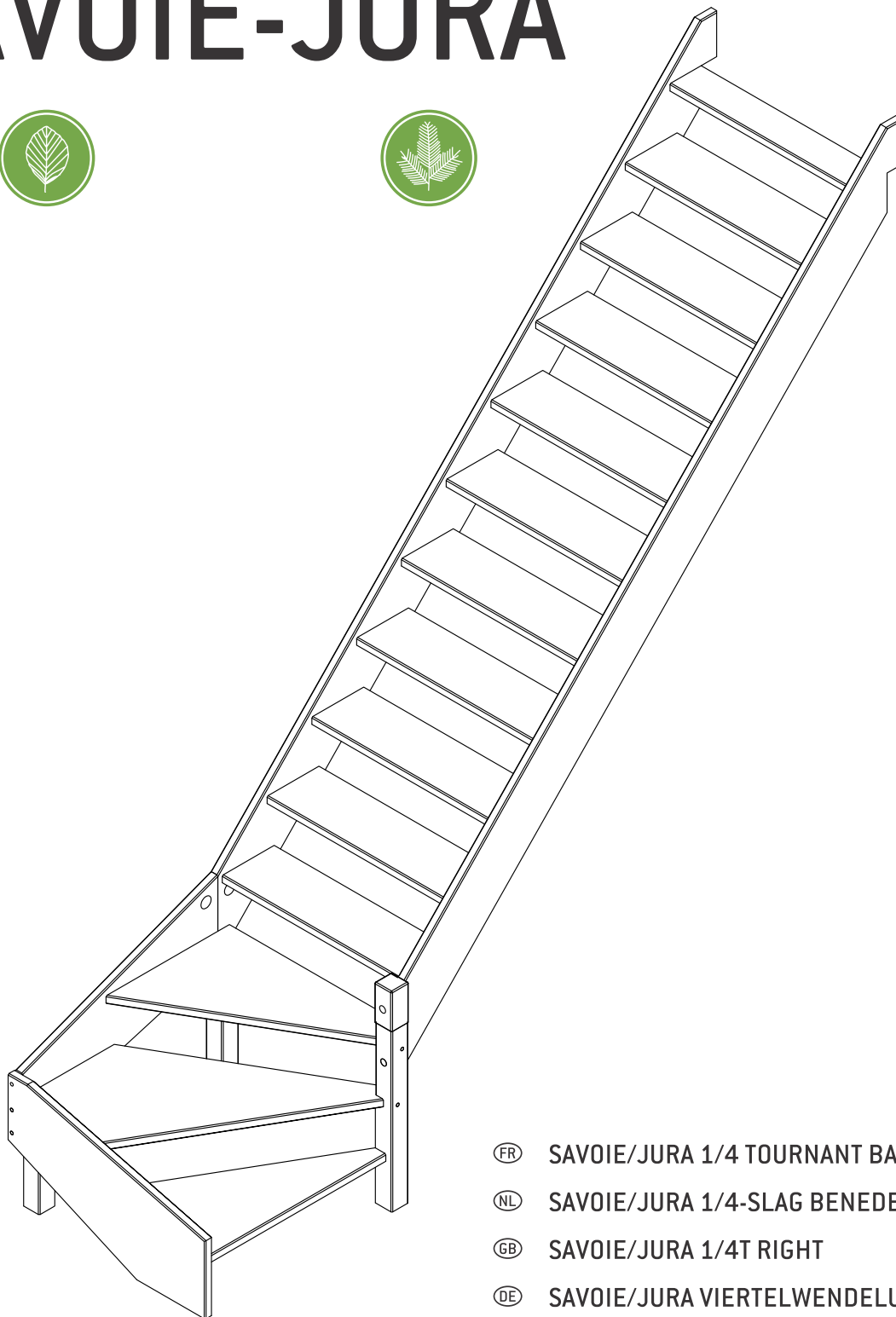


Producent: SOGEM Group, Rue Grimard, 39 B-6061 Montignies-Sur-Sambre (Charleroi) - Belgia
 Dystrybutor: DOLLE Sp. z o.o., ul. Międzyrzecka 149, 43-382 Bielsko-Biała, Polska
 Tel. 33 827-24-90, E-mail: biuro@dolle.com

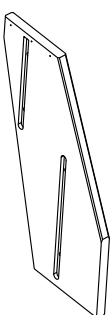

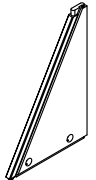
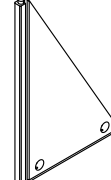
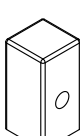
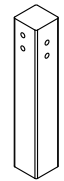
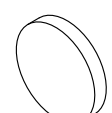
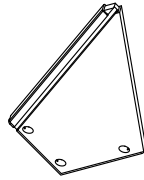
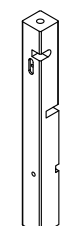

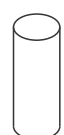




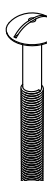
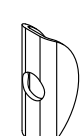



SOGEM

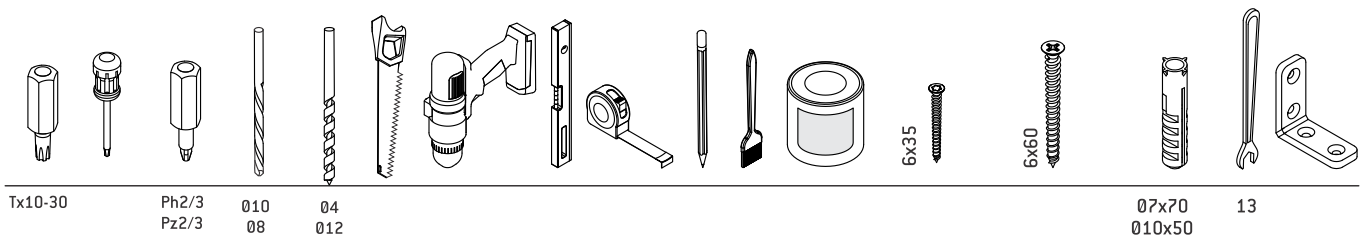
DOLLE®

SAVOIE-JURA

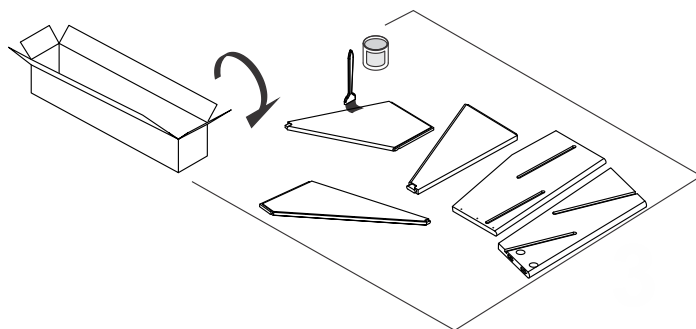


- Ⓡ SAVOIE/JURA 1/4 TOURNANT BAS DROITE
- Ⓡ SAVOIE/JURA 1/4-SLAG BENEDEN RECHTS
- Ⓡ SAVOIE/JURA 1/4T RIGHT
- Ⓡ SAVOIE/JURA VIERTELWENDELUNG UNTEN RECHTS
- Ⓡ SAVOIE/JURA 1/4 DE GIRO BAJO DERECHA
- Ⓡ SAVOIE/JURA 1/4 T DREAPTA JOS
- Ⓡ SAVOIE/JURA APATINIS 1/4 POSŪKIS Į DEŠINĘ
- Ⓡ SAVOIE/JURA ZABIEG 1/4 PRAWY

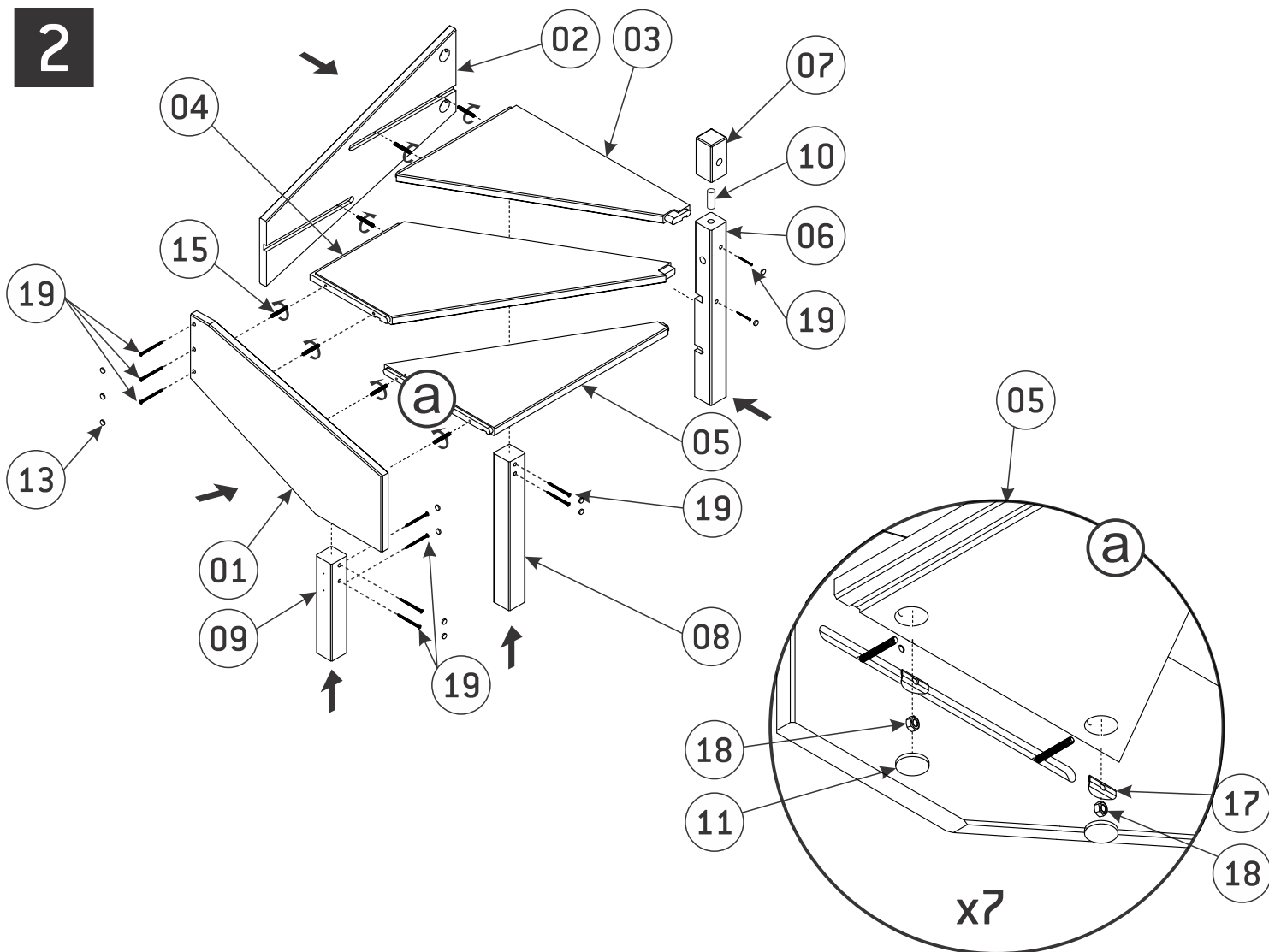
<p>01 31x483x836 mm x1</p>  <p>SAVOIE 70012063 JURA 70012033</p>	<p>02 31x563x828 mm x1</p>  <p>SAVOIE 70012064 JURA 70012034</p>	<p>03 31x523x782 mm x1</p>  <p>SAVOIE 70012065 JURA 70012035</p>	<p>05 31x482x782 mm x1</p>  <p>SAVOIE 70012066 JURA 70012036</p>	<p>07 70x70x140 mm x1</p> 	<p>09 70x70x367 mm x1</p> 	<p>11 040 x 6 mm x11+1</p> 
		<p>04 31x752x827 mm x1</p>  <p>SAVOIE 70012067 JURA 70012037</p>	<p>06 70x70x663,5 mm x1</p>  <p>SAVOIE 70012068 JURA 70012038</p>	<p>08 70x70x563 mm x1</p> 	<p>10 020 x 50 mm x1</p> 	<p>12 020 x 6 mm x2</p> 
<p>13 012 x 6 mm x12</p> 	<p>14 08 x 110 mm x1</p> 	<p>15 08 x 70 mm x8</p> 	<p>16 08 x 70 mm x1</p> 	<p>17 1.5x11x18.6mm x11</p> 	<p>18 M8 x11</p> 	
<p>19 05x60 mm x12+2</p>  <p>70031053</p>	<p>20 08 x 110 mm x1</p> 					



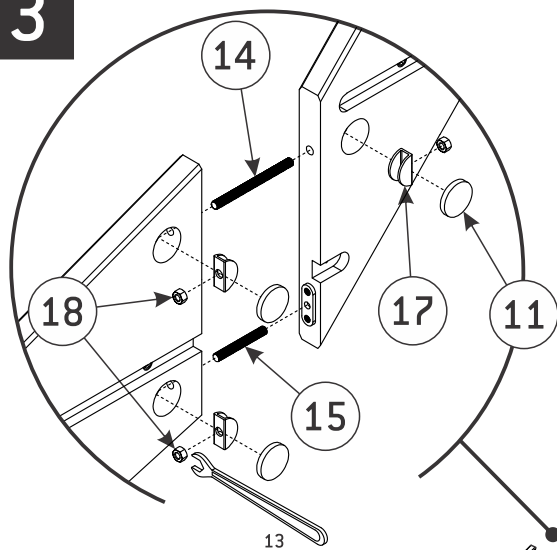
1



2

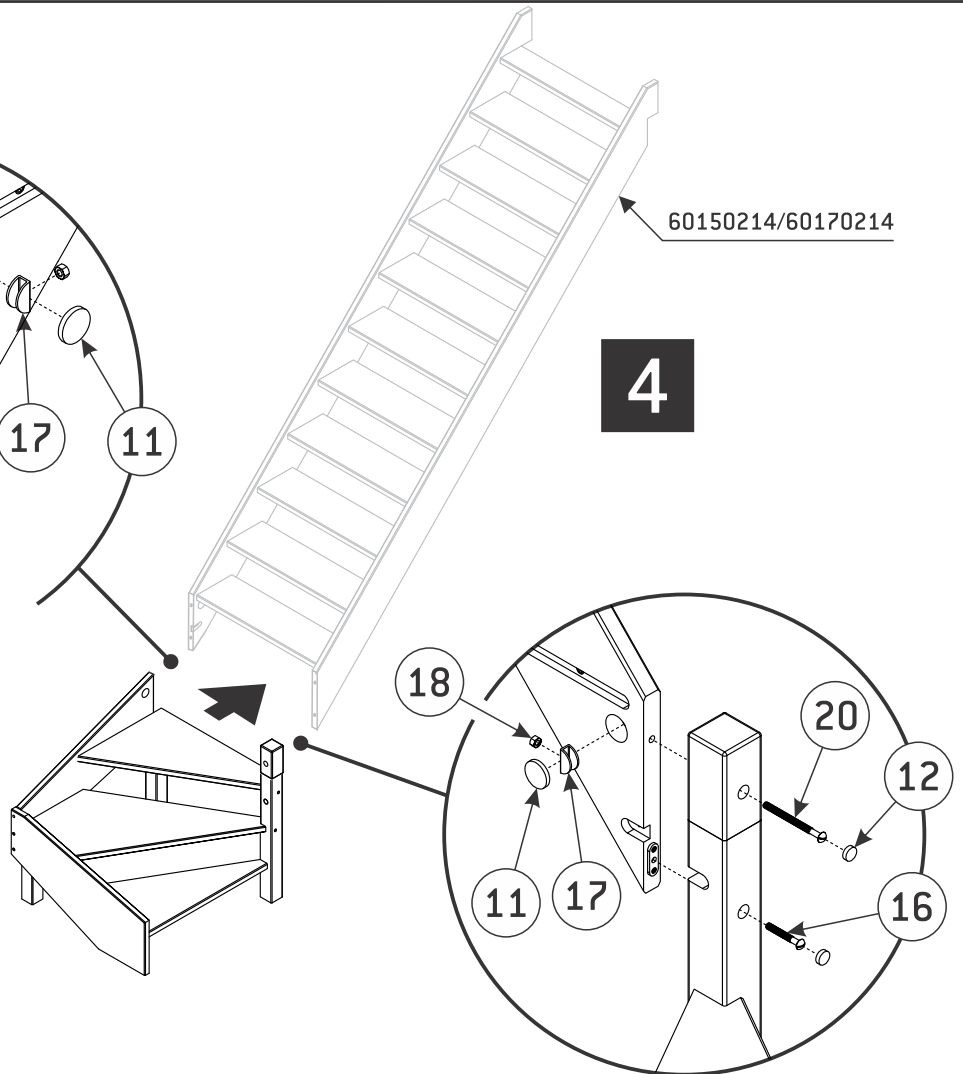


3

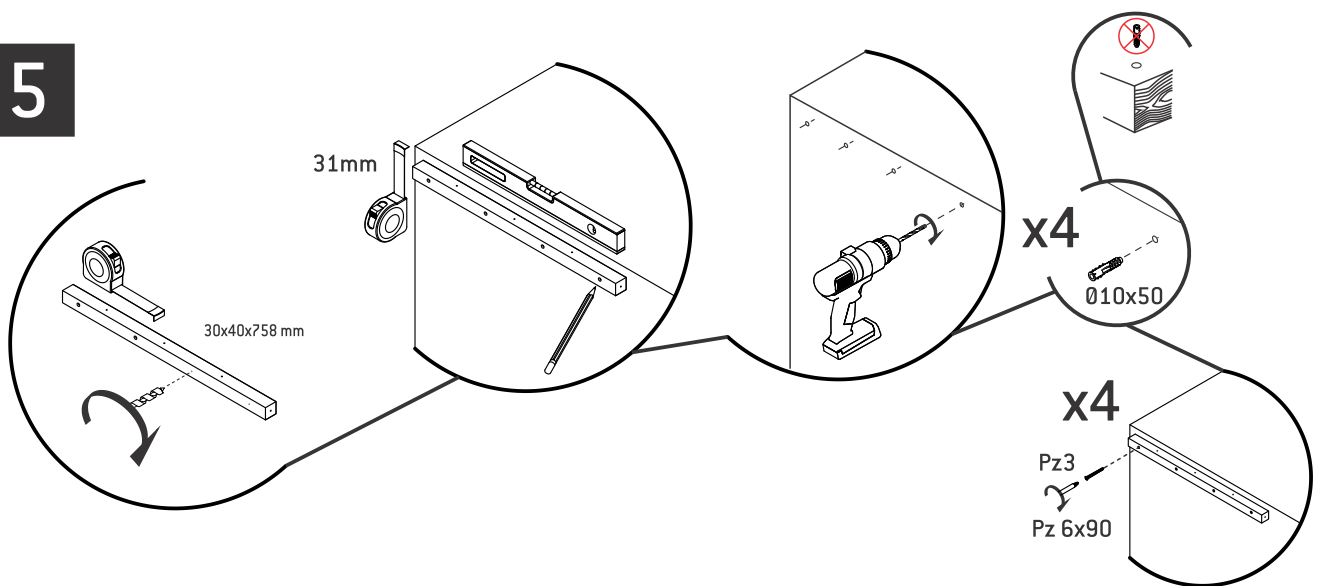


60150214/60170214

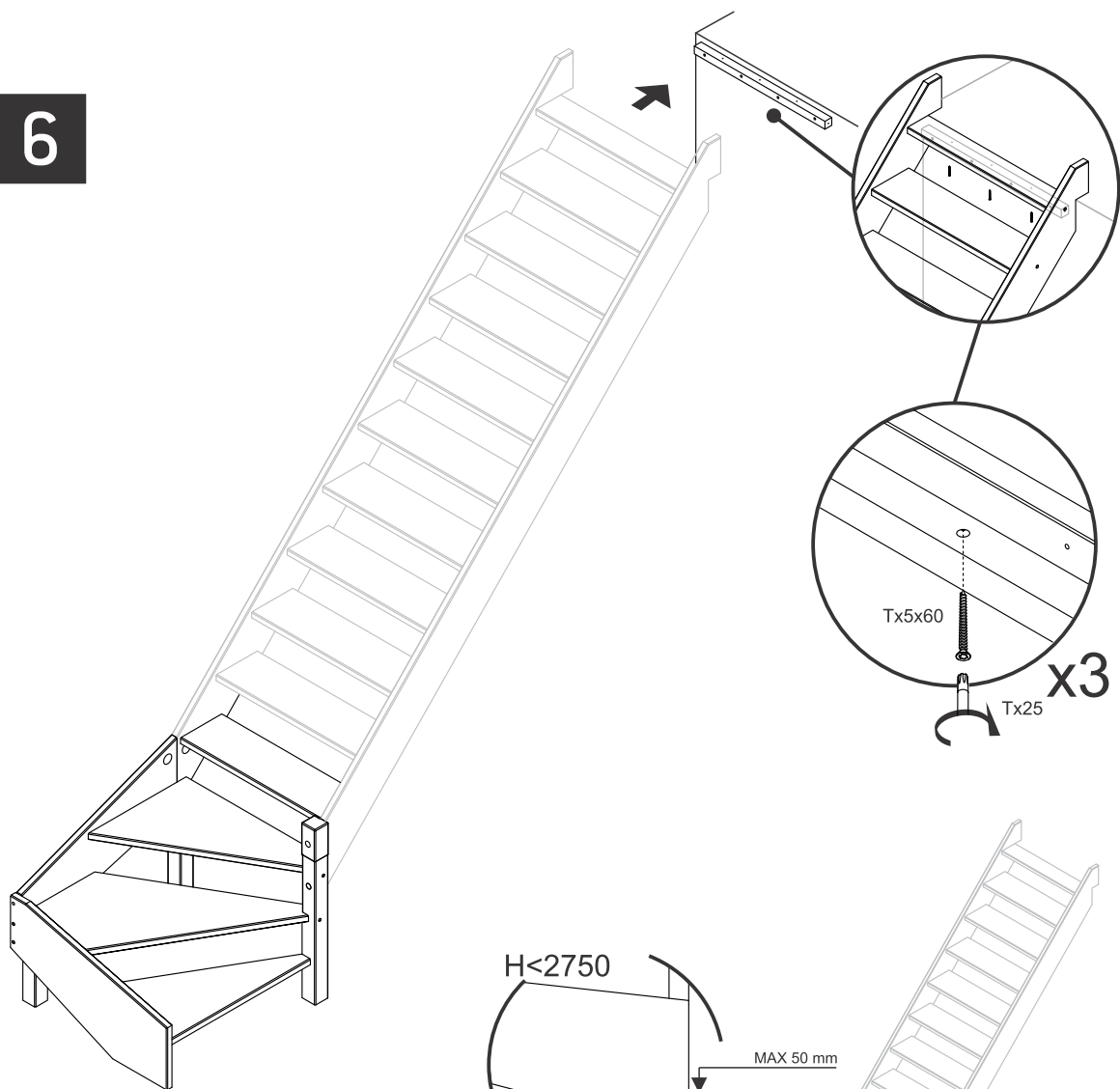
4



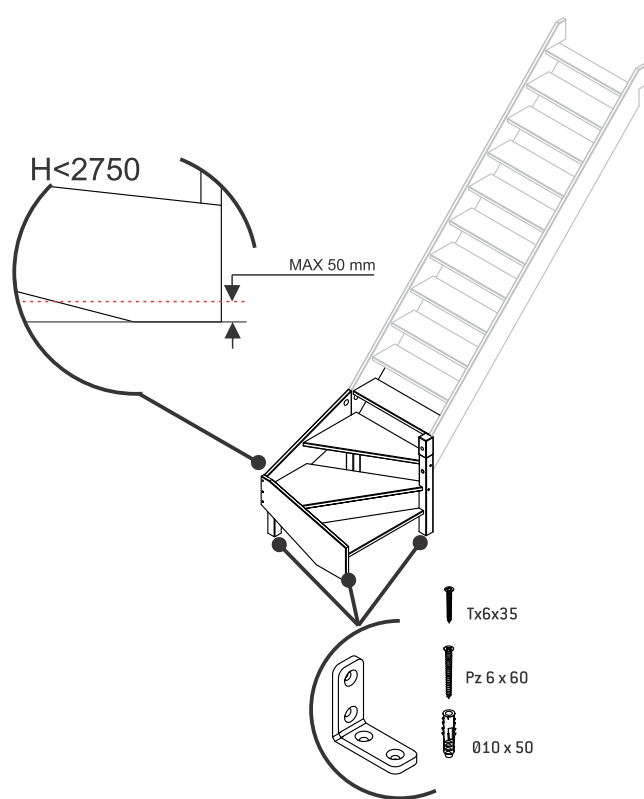
5



6

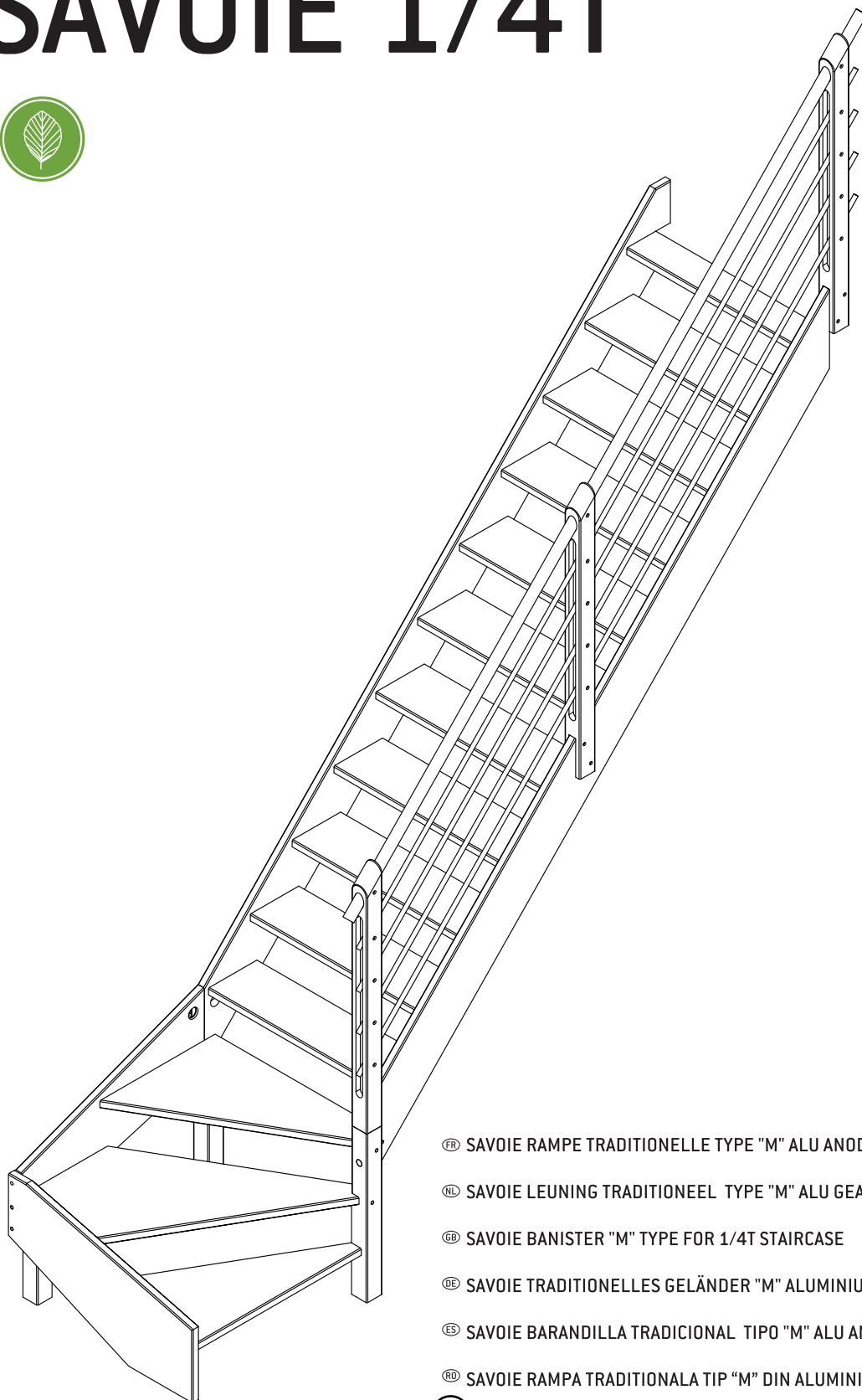


7



Producent: SOGEM Group, Rue Grimard, 39 B-6061 Montignies-Sur-Sambre (Charleroi) - Belgia
 Dystrybutor: DOLLE Sp. z o.o., ul. Międzyrzecka 149, 43-382 Bielsko-Biała, Polska
 Tel. 33 827-24-90, E-mail: biuro@dolle.com

SAVOIE 1/4T



FR SAVOIE RAMPE TRADITIONELLE TYPE "M" ALU ANODISE INOX ESC. 1/4 TOURNANT

NL SAVOIE LEUNING TRADITIONEEL TYPE "M" ALU GEANODISEERD INOX 1/4-SLAG

GB SAVOIE BANISTER "M" TYPE FOR 1/4T STAIRCASE

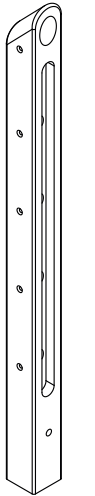
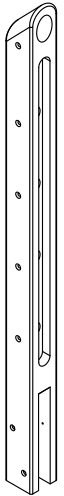
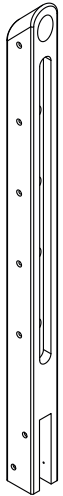
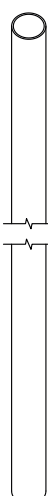


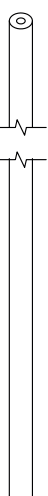
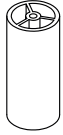


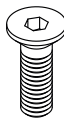
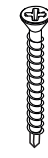








DE SAVOIE TRADITIONELLES GELÄNDER "M" ALUMINIUM ELOXIERT EDELSTAHL GEWENDELTE TREPPE

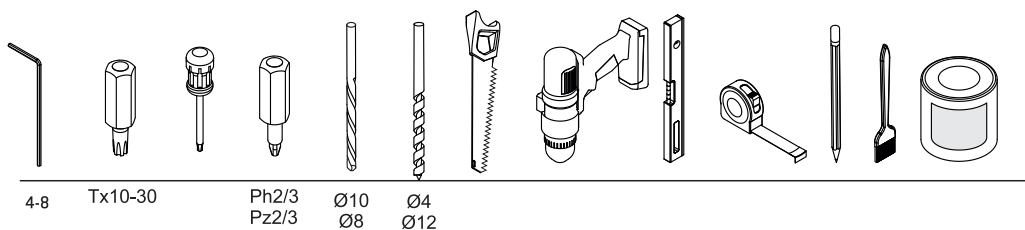
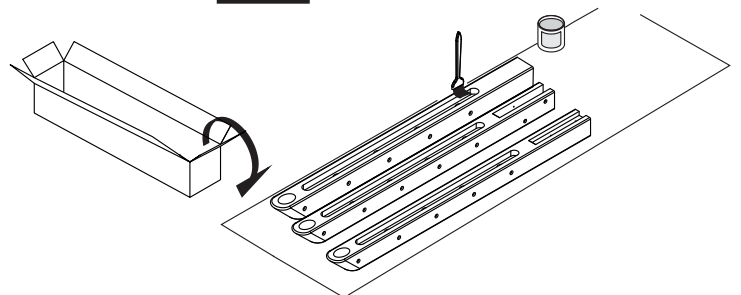
ES SAVOIE BARANDILLA TRADICIONAL TIPO "M" ALU ANODIZADO INOX ESC. 1/4 DE GIRO

RO SAVOIE RAMPA TRADITIONALA TIP "M" DIN ALUMINIU ANODIZAT INOX PTENTRU SCARA 1/4T JOS

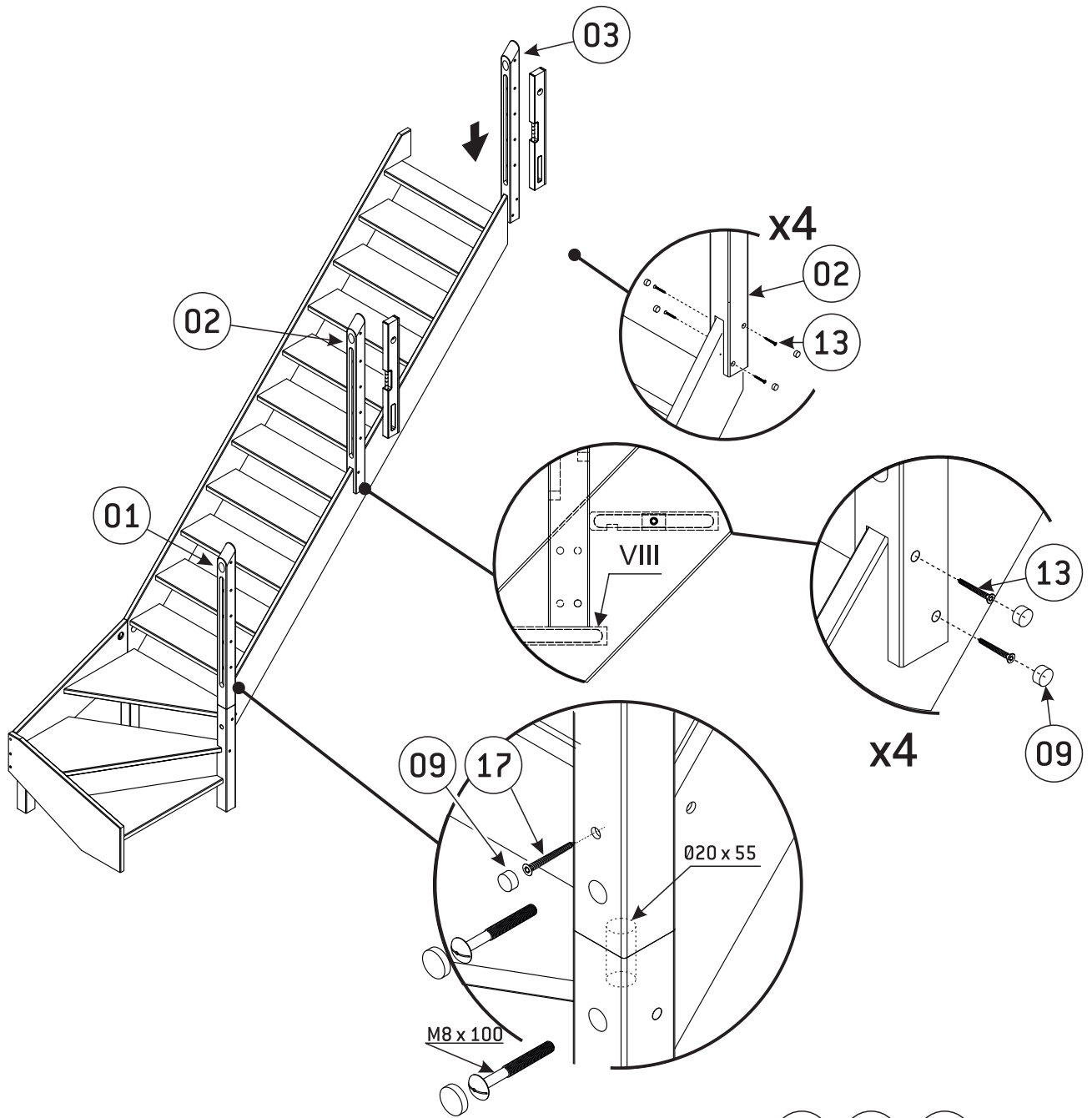
LT SAVOIE Tureklas "M", laiptai su ketvirčio posūkiu

PL SAVOIE BALUSTRADA TYP M

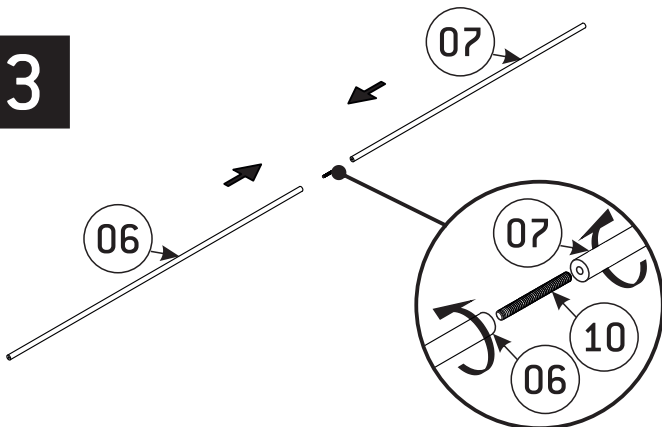
01 70x70x1025 mm x1 	02 70x70x1114 mm x1 	03 70x70x1127 mm x1 	04 Ø40x1557 mm x1 	05 Ø40x1792 mm x1 	06 Ø16x1507 mm x4 	07 Ø16x1742 mm x4 
08 Ø34,6x82 mm x1 	09 12x6 mm x12 	10 M8x40 mm x4 	11 M6x28(30)mm x12 	12 3,9x19 mm x3+1 	13 Ø4x40 mm x8+2 	14 Ø40x14 mm x2 
15 Ø16x12 mm x8 	16 40x99x23 mm x1 	17 Ø5x60 mm x1 	   <div style="background-color: black; color: white; padding: 5px; display: inline-block; font-size: 24px; font-weight: bold;">1</div>			



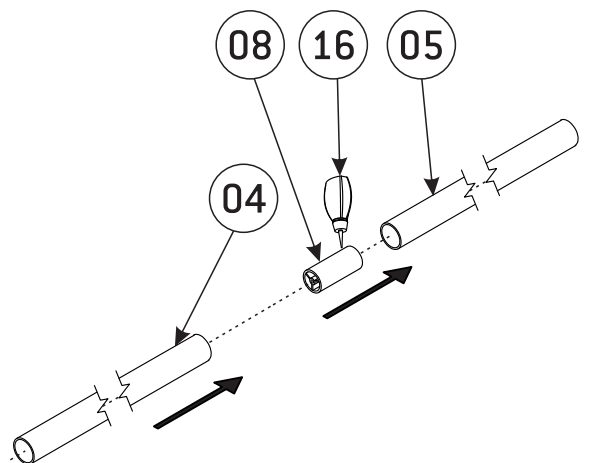
2



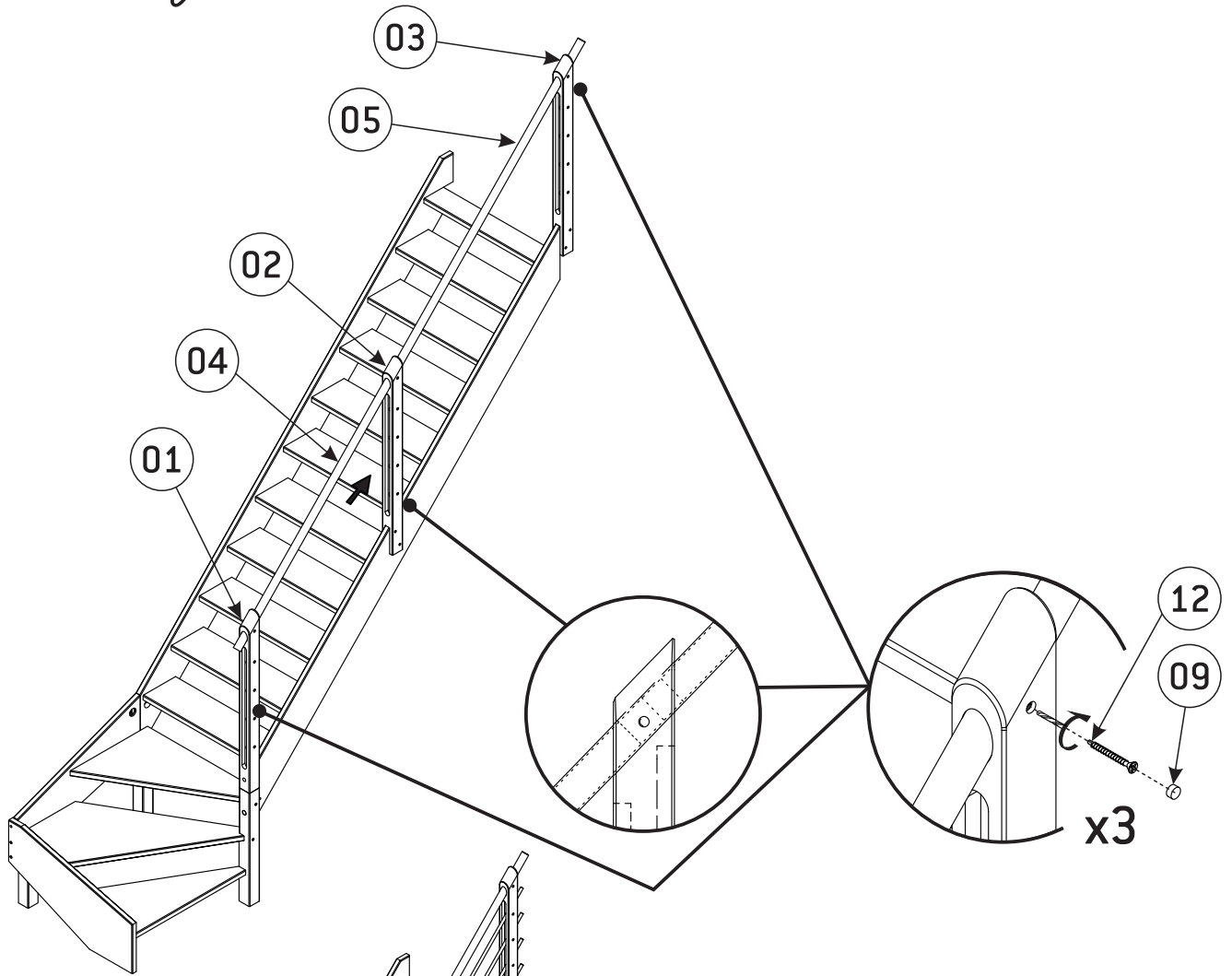
3



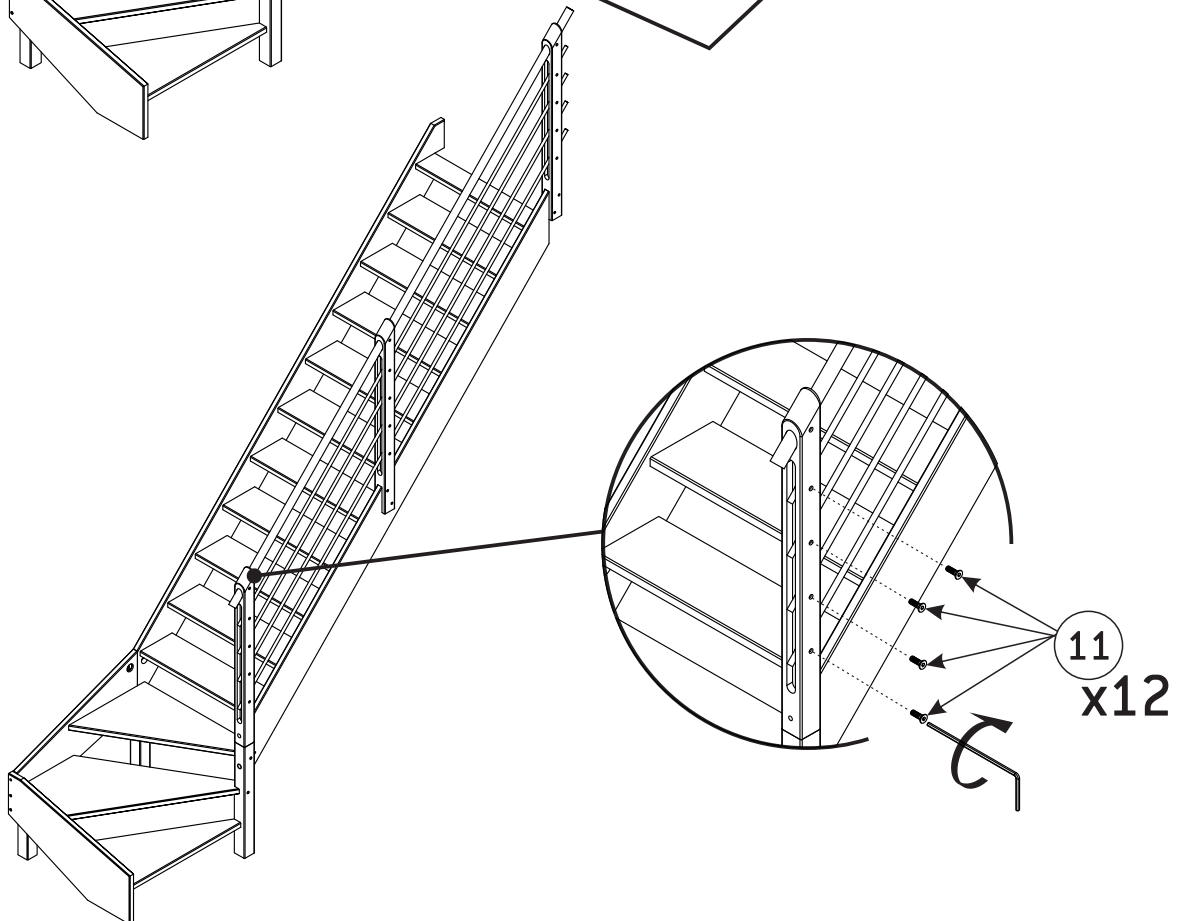
4



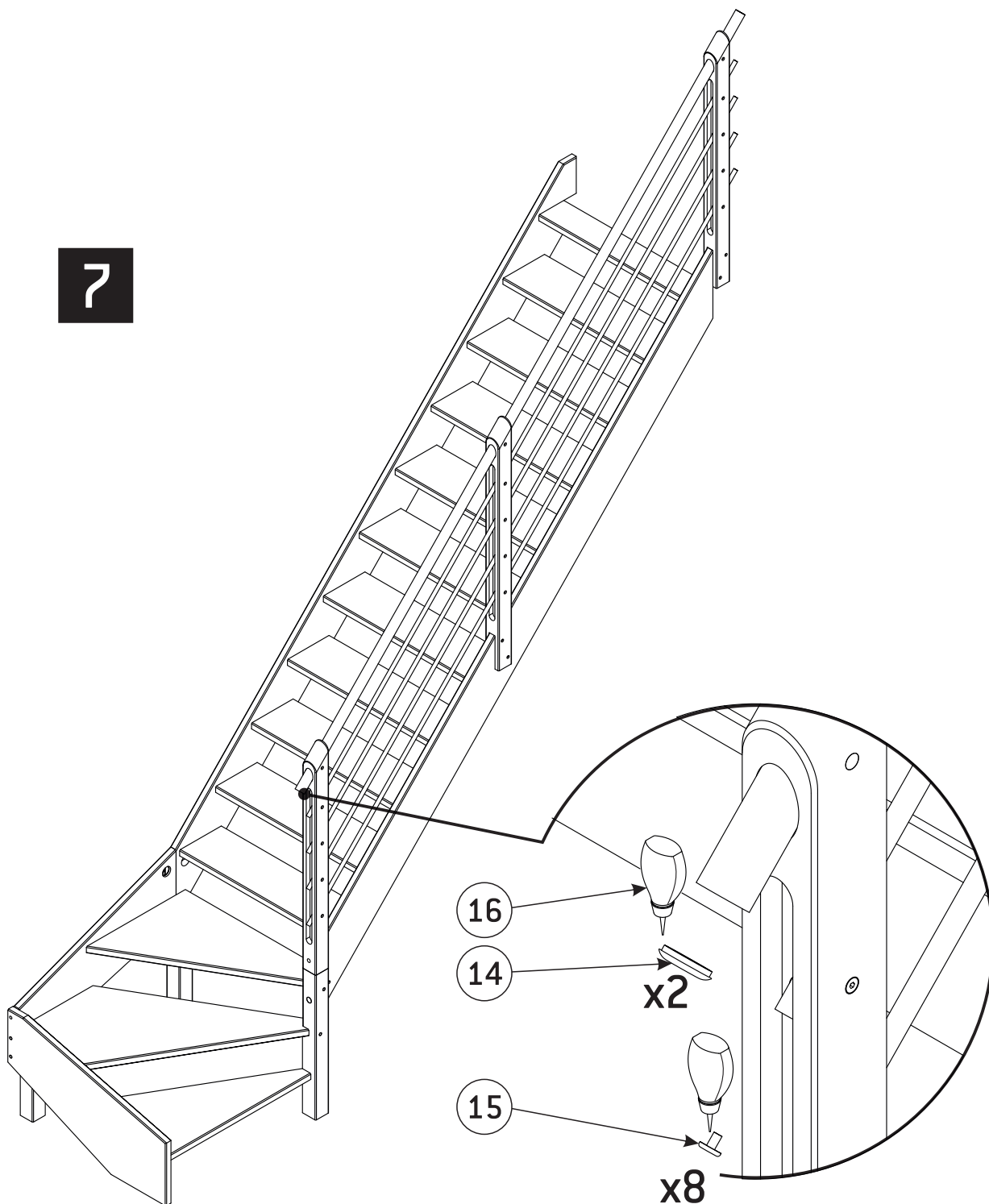
5



6



7



Producent: SOGEM Group, Rue Grimard, 39 B-6061 Montignies-Sur-Sambre (Charleroi) - Belgia
 Dystrybutor: DOLLE Sp. z o.o., ul. Międzyrzecka 149, 43-382 Bielsko-Biała, Polska
 Tel. 33 827-24-90, E-mail: biuro@dolle.com