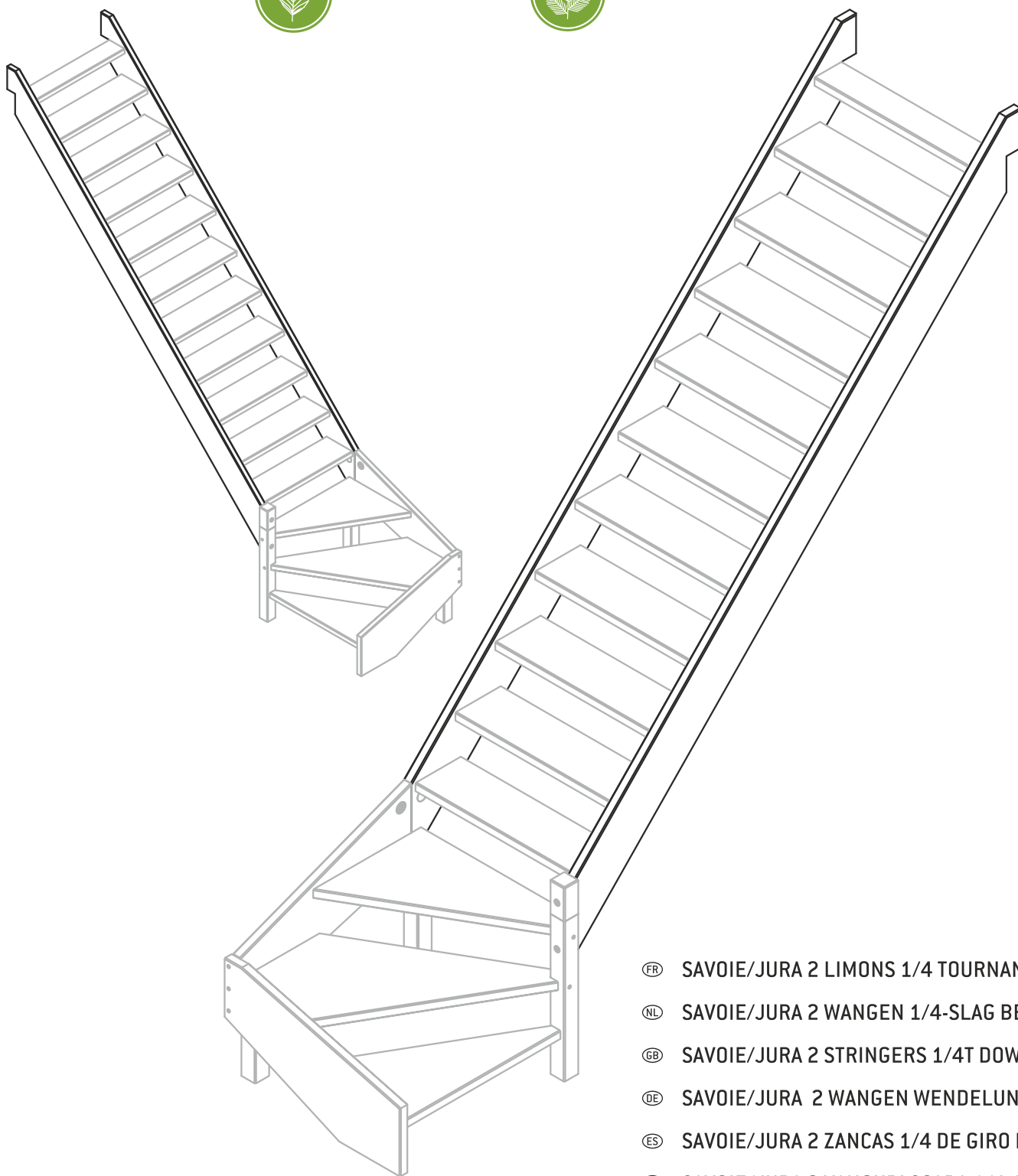
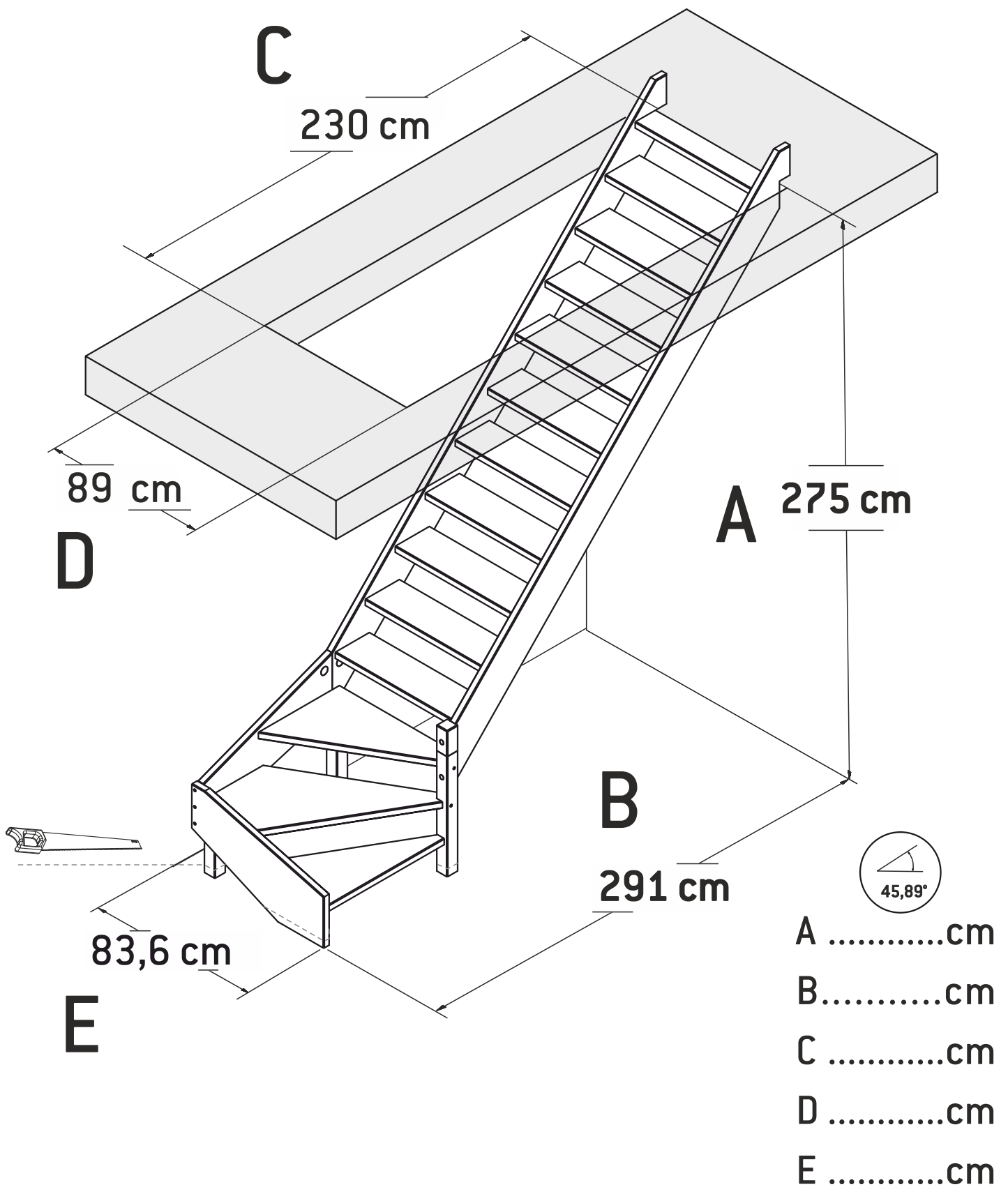


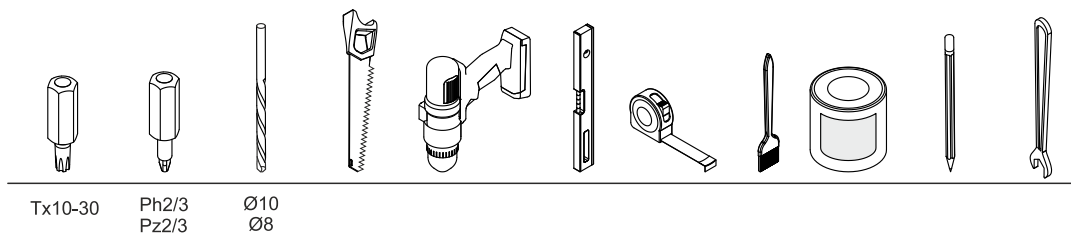
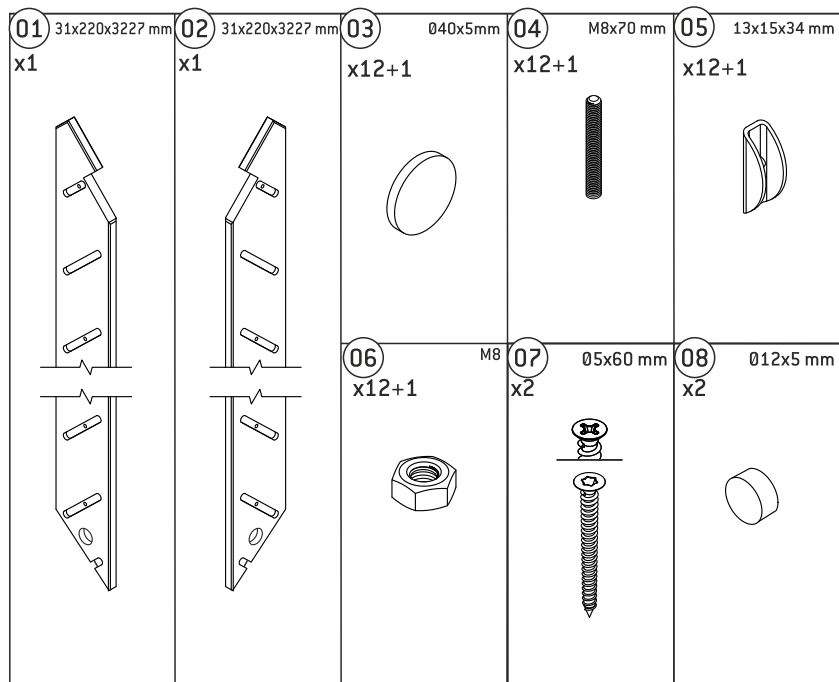
# SAVOIE-JURA 1/4T



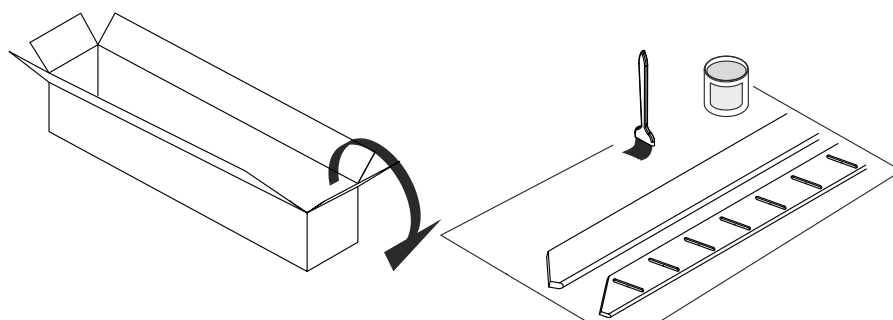
- Ⓧ FR SAVOIE/JURA 2 LIMONS 1/4 TOURNANT BAS
- Ⓧ NL SAVOIE/JURA 2 WANGEN 1/4-SLAG BENEDEN
- Ⓧ GB SAVOIE/JURA 2 STRINGERS 1/4T DOWN
- Ⓧ DE SAVOIE/JURA 2 WANGEN WENDELUNG UNTEN
- Ⓧ ES SAVOIE/JURA 2 ZANCAS 1/4 DE GIRO BAJO
- Ⓧ RO SAVOIE/JURA 2 VANGURI SCARA 1/4 JOS
- Ⓧ LT SAVOIE/JURA LAIPTŲ SU POSŪKIU TIESIOSIOS DALIES ŠONINIAI UŽDENGIMAI

Ⓧ PL SAVOIE/JURA SCHODY Z ZABIEGIEM 1/4 DOLNYM

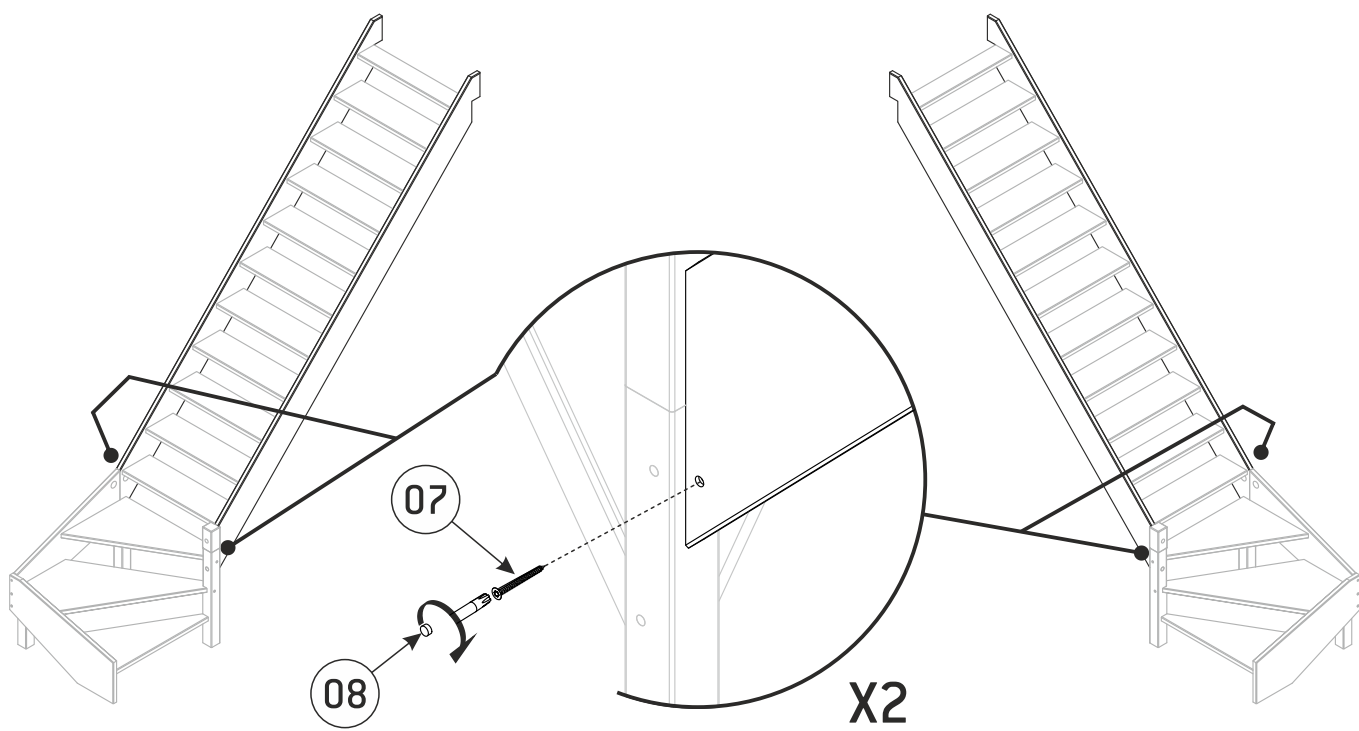
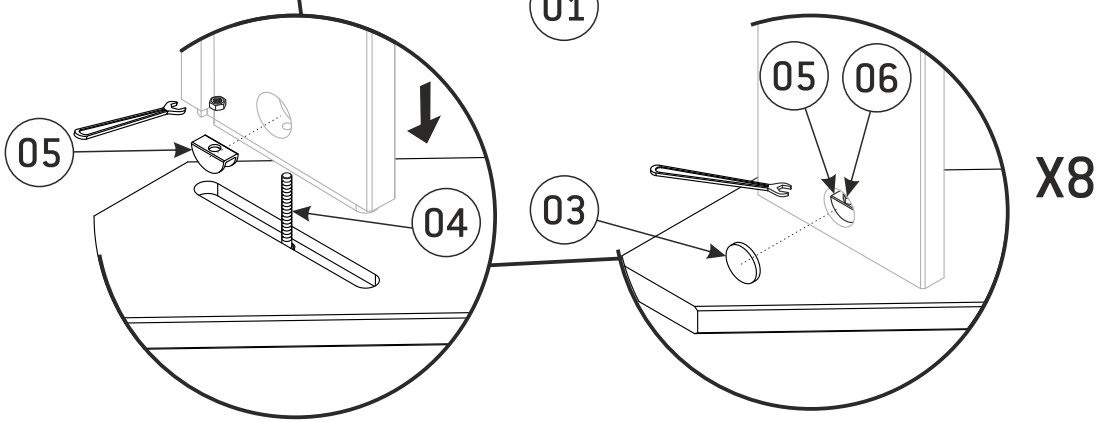
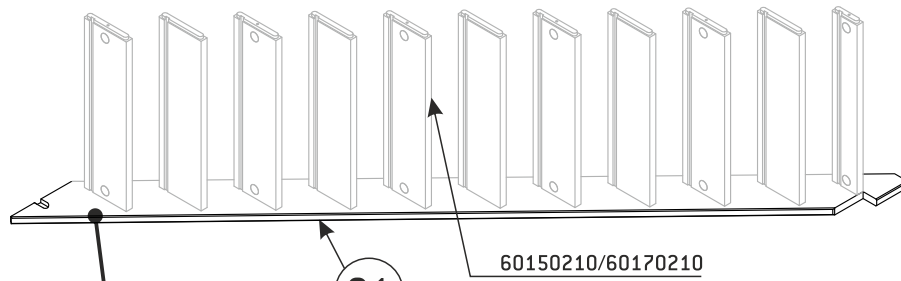
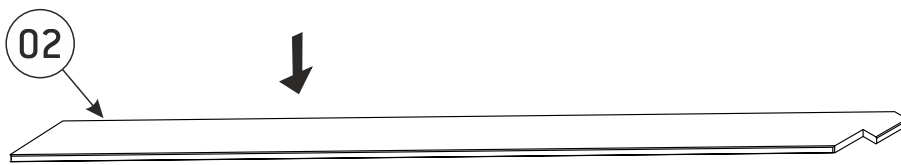




## 1



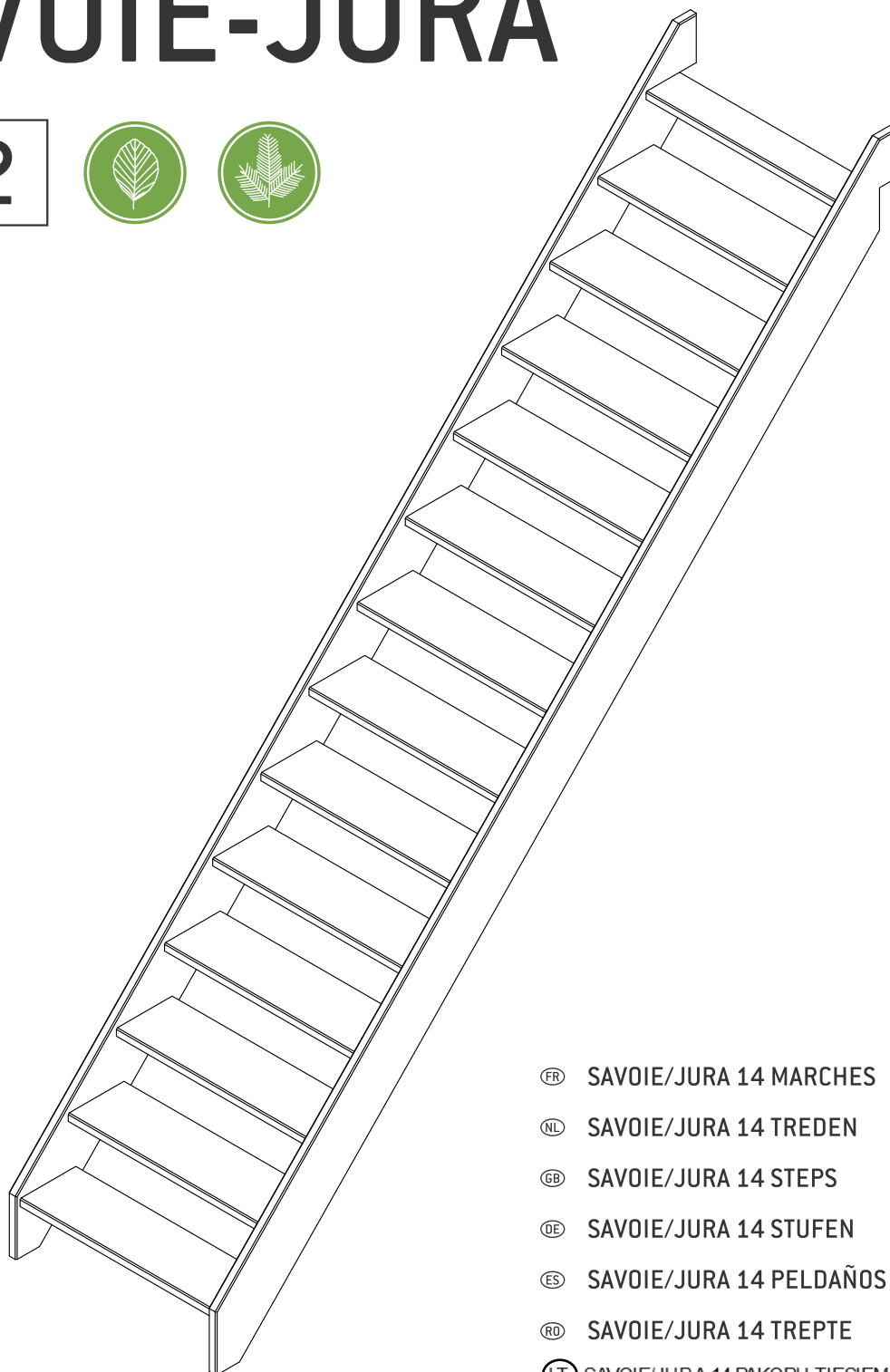
2



Producent: SOGEM Group, Rue Grimard, 39 B-6061 Montignies-Sur-Sambre (Charleroi) - Belgia  
 Dystrybucja: DOLLE Sp. z o.o., ul. Międzyrzecka 149, 43-382 Bielsko-Biała, Polska  
 Tel. 33 827-24-90, E-mail: biuro@dolle.com

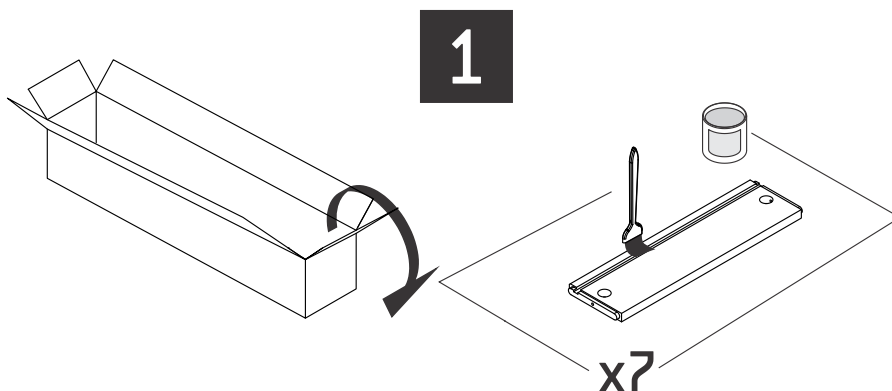
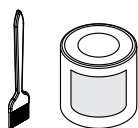
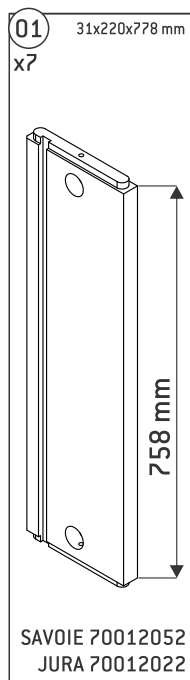
# SAVOIE-JURA

1 2



- FR SAVOIE/JURA 14 MARCHES
- NL SAVOIE/JURA 14 TREDEN
- GB SAVOIE/JURA 14 STEPS
- DE SAVOIE/JURA 14 STUFEN
- ES SAVOIE/JURA 14 PELDAÑOS
- RO SAVOIE/JURA 14 TREPTE
- LT SAVOIE/JURA 14 PAKOPŲ TIEŠIEMS LAIPTAMS
- PL SAVOIE/JURA 14 STOPNI

**1** **2**

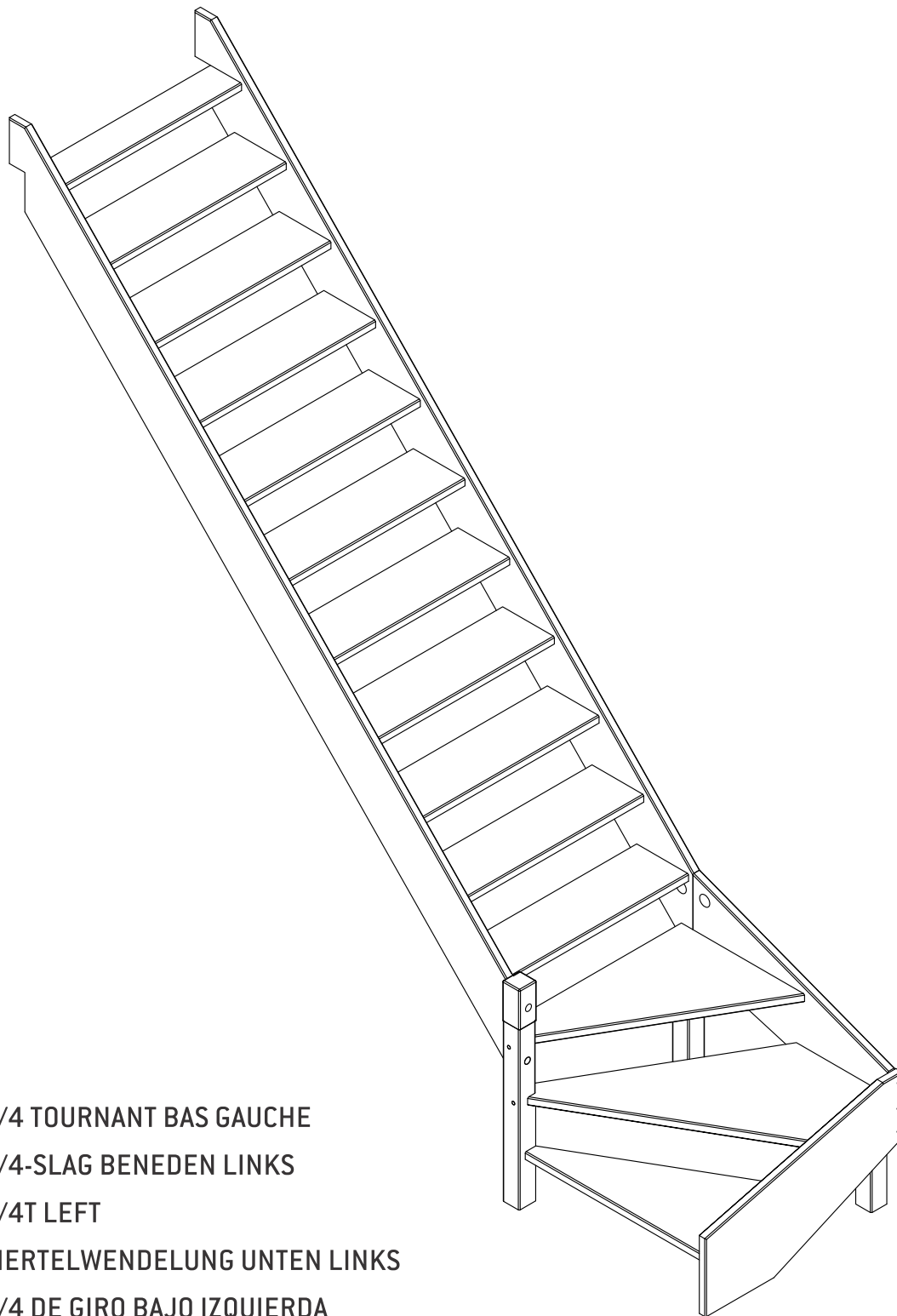


Producent: SOGEM Group, Rue Grimard, 39 B-6061 Montignies-Sur-Sambre (Charleroi) - Belgia  
 Dystrybucja: DOLLE Sp. z o.o., ul. Międzyrzecka 149, 43-382 Bielsko-Biała, Polska  
 Tel. 33 827-24-90, E-mail: biuro@dolle.com

SOGEM

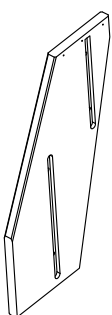
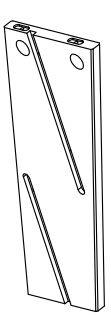
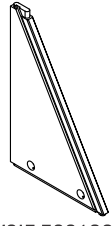
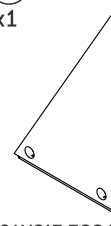
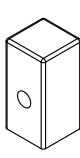
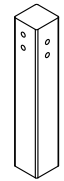
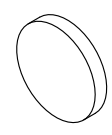
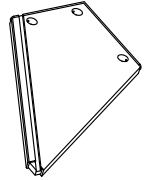
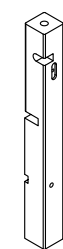






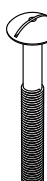
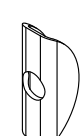








DOLLE

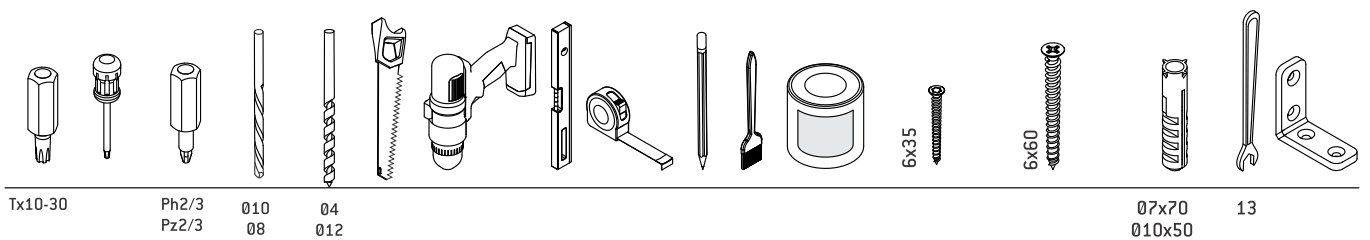
# SAVOIE-JURA



- Ⓡ FR SAVOIE/JURA 1/4 TOURNANT BAS GAUCHE
- Ⓡ NL SAVOIE/JURA 1/4-SLAG BENEDEN LINKS
- Ⓡ GB SAVOIE/JURA 1/4T LEFT
- Ⓡ DE SAVOIE/JURA VIERTELWENDELUNG UNTEN LINKS
- Ⓡ ES SAVOIE/JURA 1/4 DE GIRO BAJO IZQUIERDA
- Ⓡ RO SAVOIE/JURA 1/4 T STANGA JOS
- Ⓡ LT SAVOIE/JURA APATINIS 1/4 POSŪKIS Į KAIRĘ
- Ⓡ PL SAVOIE/JURA ZABIEG 1/4 LEWY

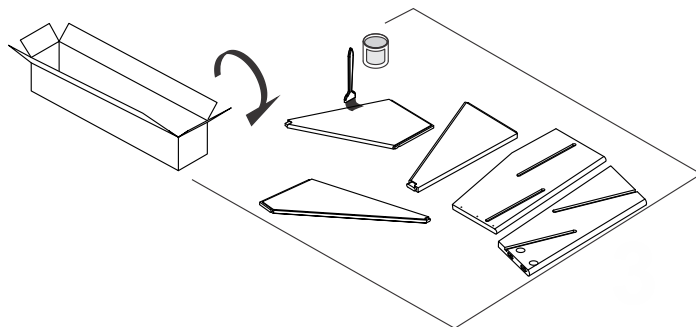
## SAVOIE+JURA QT BAS GAUCHE

<p>01 31x483x836 mm x1</p>  <p>SAVOIE 70012057 JURA 70012027</p>	<p>02 31x563x828 mm x1</p>  <p>SAVOIE 70012058 JURA 70012028</p>	<p>03 31x523x782 mm x1</p>  <p>SAVOIE 70012059 JURA 70012029</p>	<p>05 31x482x782 mm x1</p>  <p>SAVOIE 70012060 JURA 70012030</p>	<p>07 70x70x140 mm x1</p> 	<p>09 70x70x367 mm x1</p> 	<p>11 040 x 6 mm x11+1</p> 
		<p>04 31x752x827 mm x1</p>  <p>SAVOIE 70012061 JURA 70012031</p>	<p>06 70x70x663,5 mm x1</p>  <p>SAVOIE 70012062 JURA 70012032</p>	<p>08 70x70x563 mm x1</p> 	<p>10 020 x 50 mm x1</p> 	<p>12 020 x 6 mm x2</p> 
<p>13 012 x 6 mm x12</p> 	<p>14 08 x 110 mm x1</p> 	<p>15 08 x 70 mm x8</p> 	<p>16 08 x 70 mm x1</p> 	<p>17 1.5x11x18.6mm x11</p> 	<p>18 M8</p> 	
<p>19 05x60 mm x12+2</p>  <p>70031053</p>	<p>20 08 x 110 mm x1</p> 					    

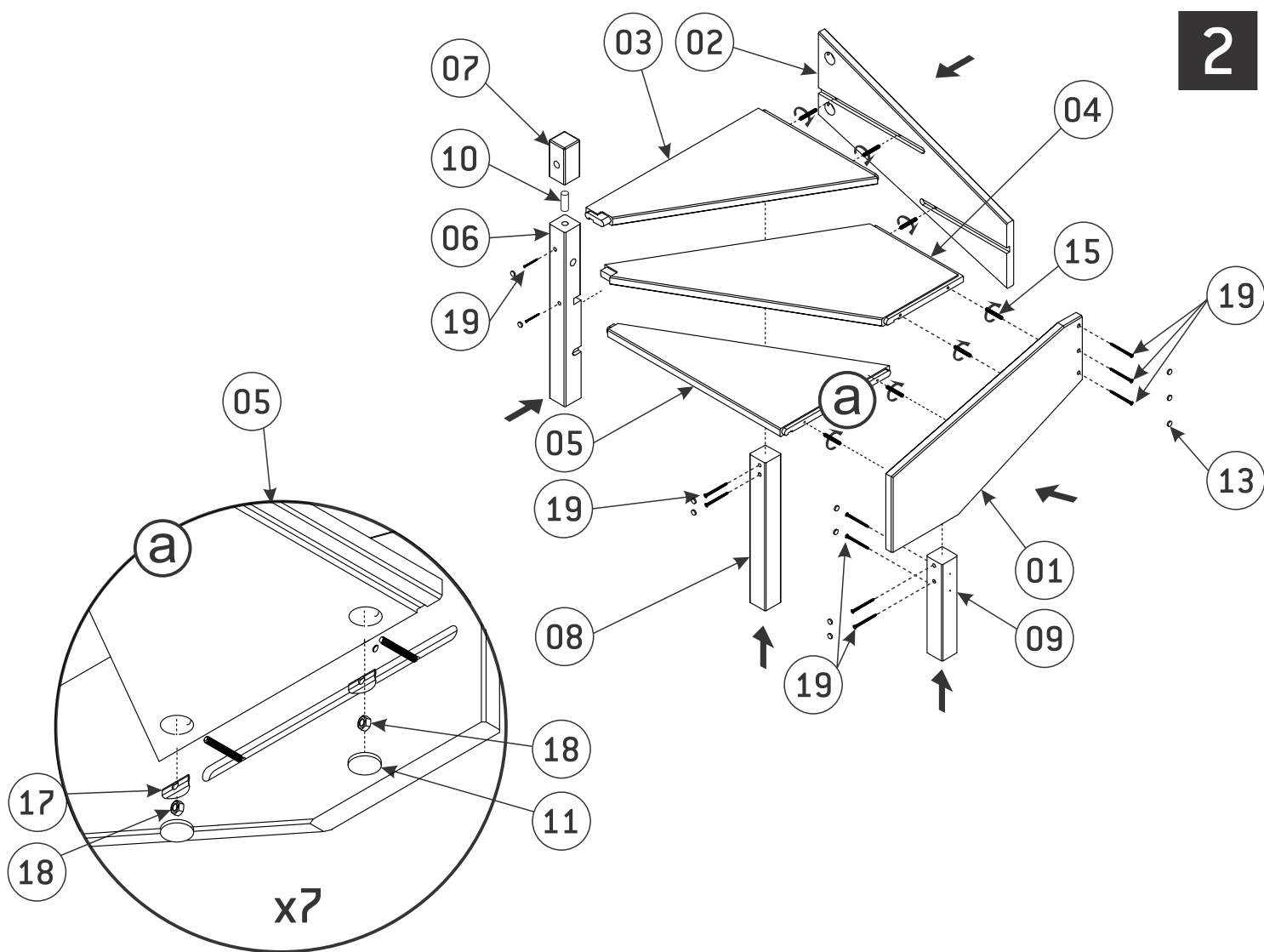


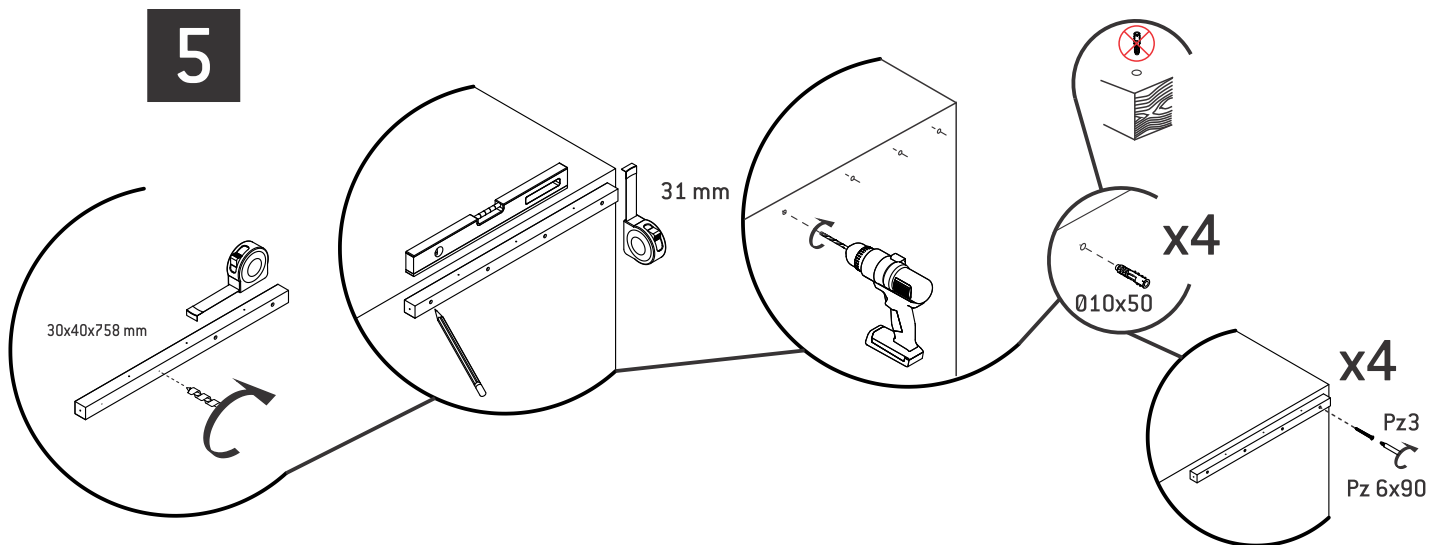
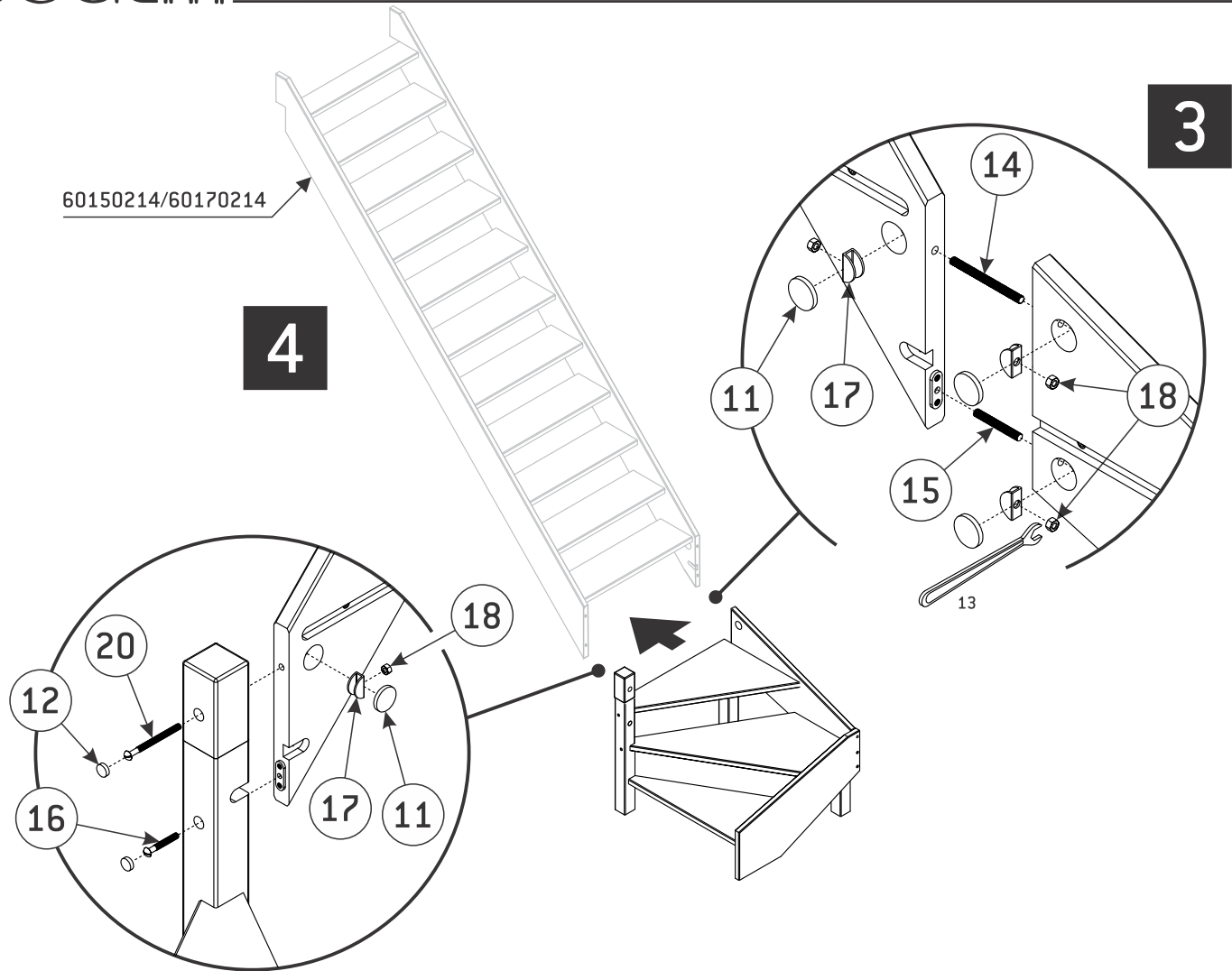


1

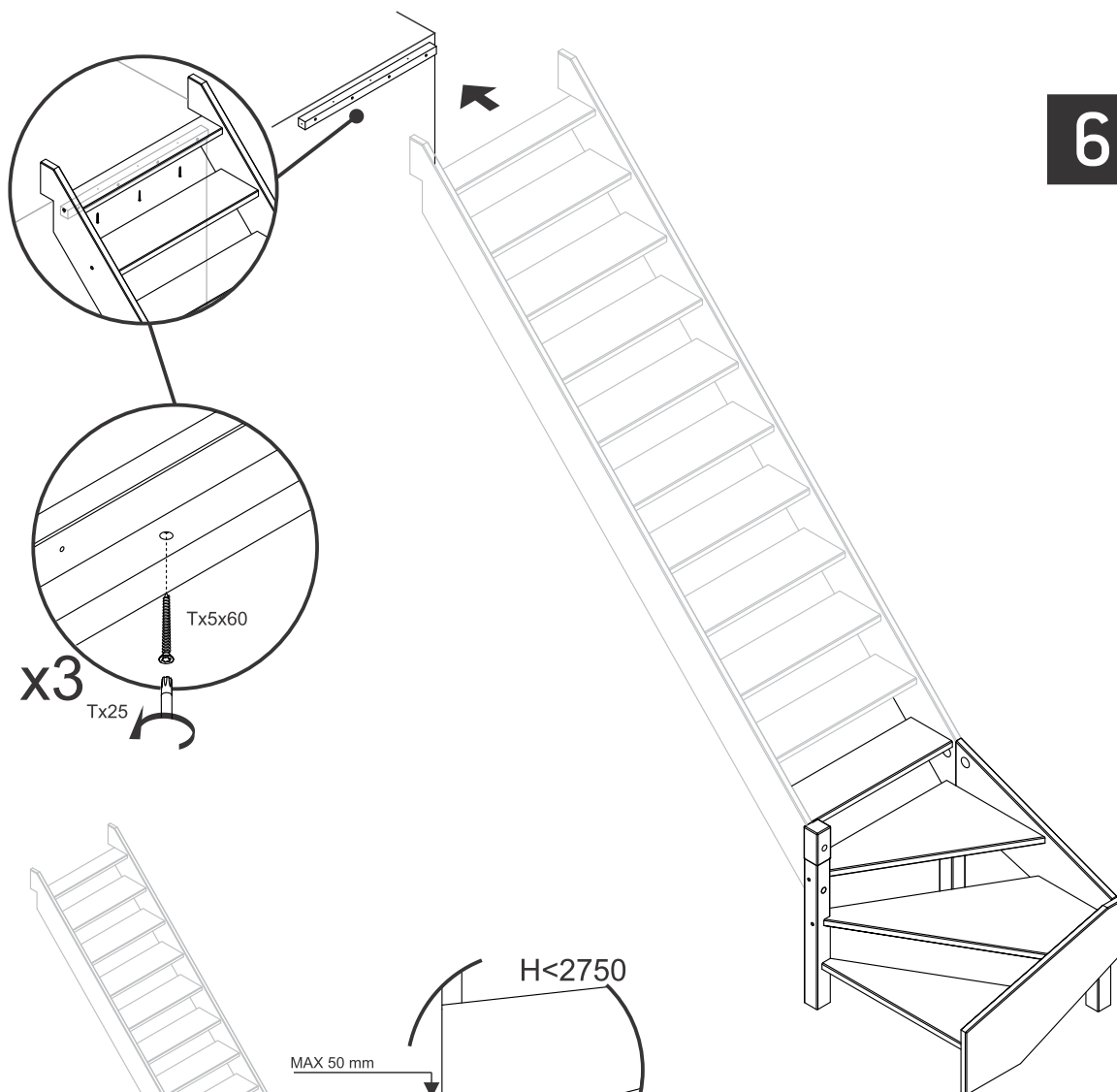


2

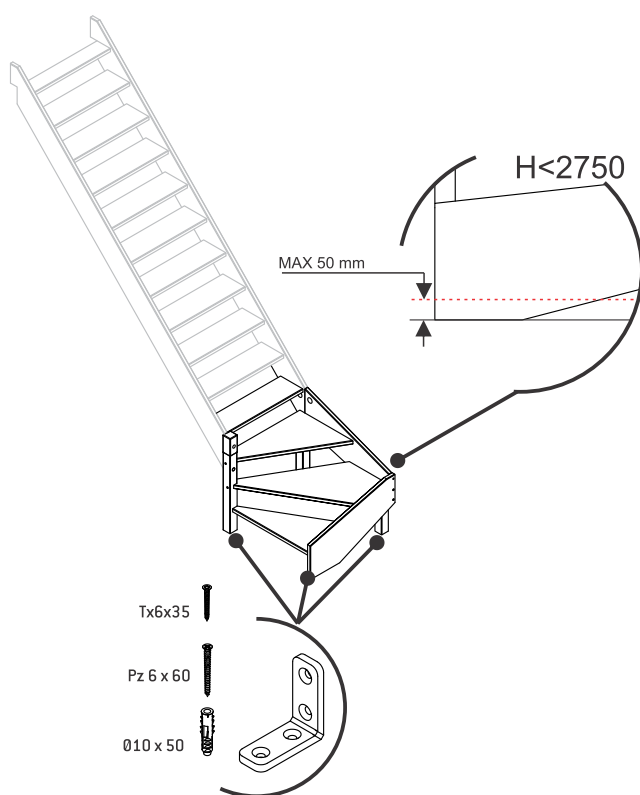




6



7

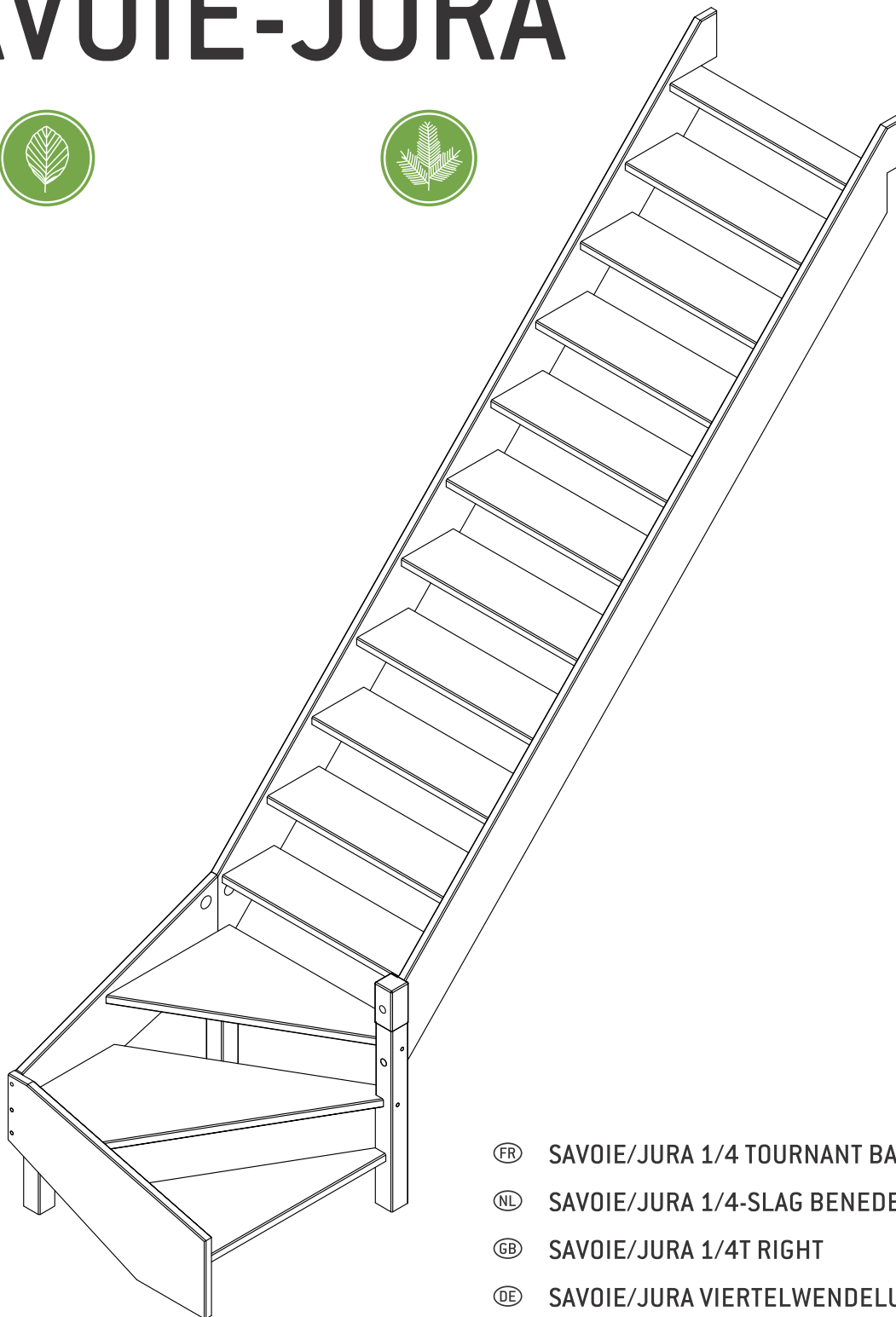


Producent: SOGEM Group, Rue Grimard, 39 B-6061 Montignies-Sur-Sambre (Charleroi) - Belgia  
 Dystrybutor: DOLLE Sp. z o.o., ul. Międzyrzecka 149, 43-382 Bielsko-Biała, Polska  
 Tel. 33 827-24-90, E-mail: biuro@dolle.com

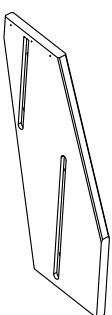

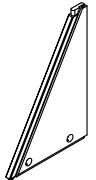
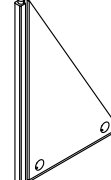
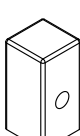
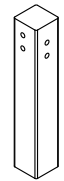
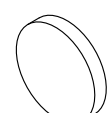
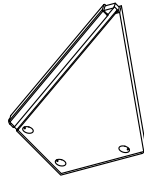
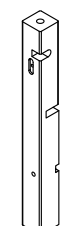

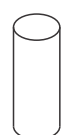




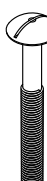
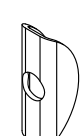



SOGEM

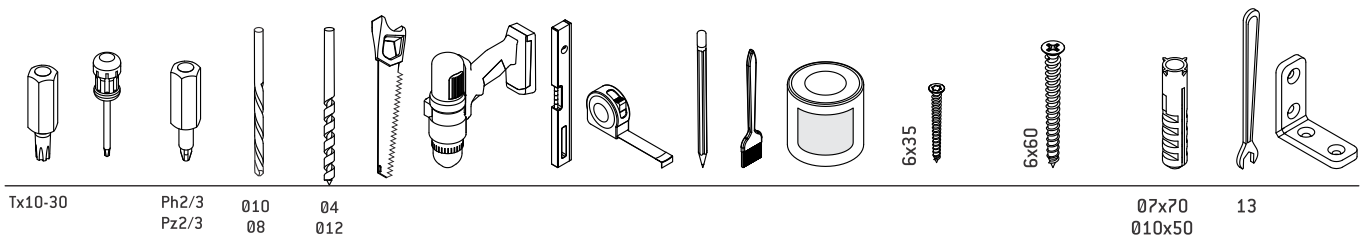
DOLLE®

# SAVOIE-JURA

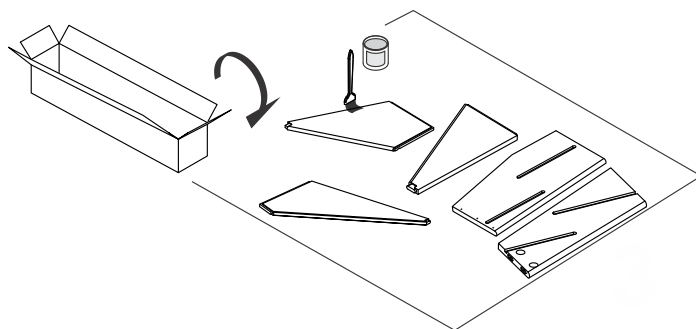


- Ⓡ SAVOIE/JURA 1/4 TOURNANT BAS DROITE
- Ⓡ SAVOIE/JURA 1/4-SLAG BENEDEN RECHTS
- Ⓡ SAVOIE/JURA 1/4T RIGHT
- Ⓡ SAVOIE/JURA VIERTELWENDELUNG UNTEN RECHTS
- Ⓡ SAVOIE/JURA 1/4 DE GIRO BAJO DERECHA
- Ⓡ SAVOIE/JURA 1/4 T DREAPTA JOS
- Ⓡ SAVOIE/JURA APATINIS 1/4 POSŪKIS Į DEŠINĘ
- Ⓡ SAVOIE/JURA ZABIEG 1/4 PRAWY

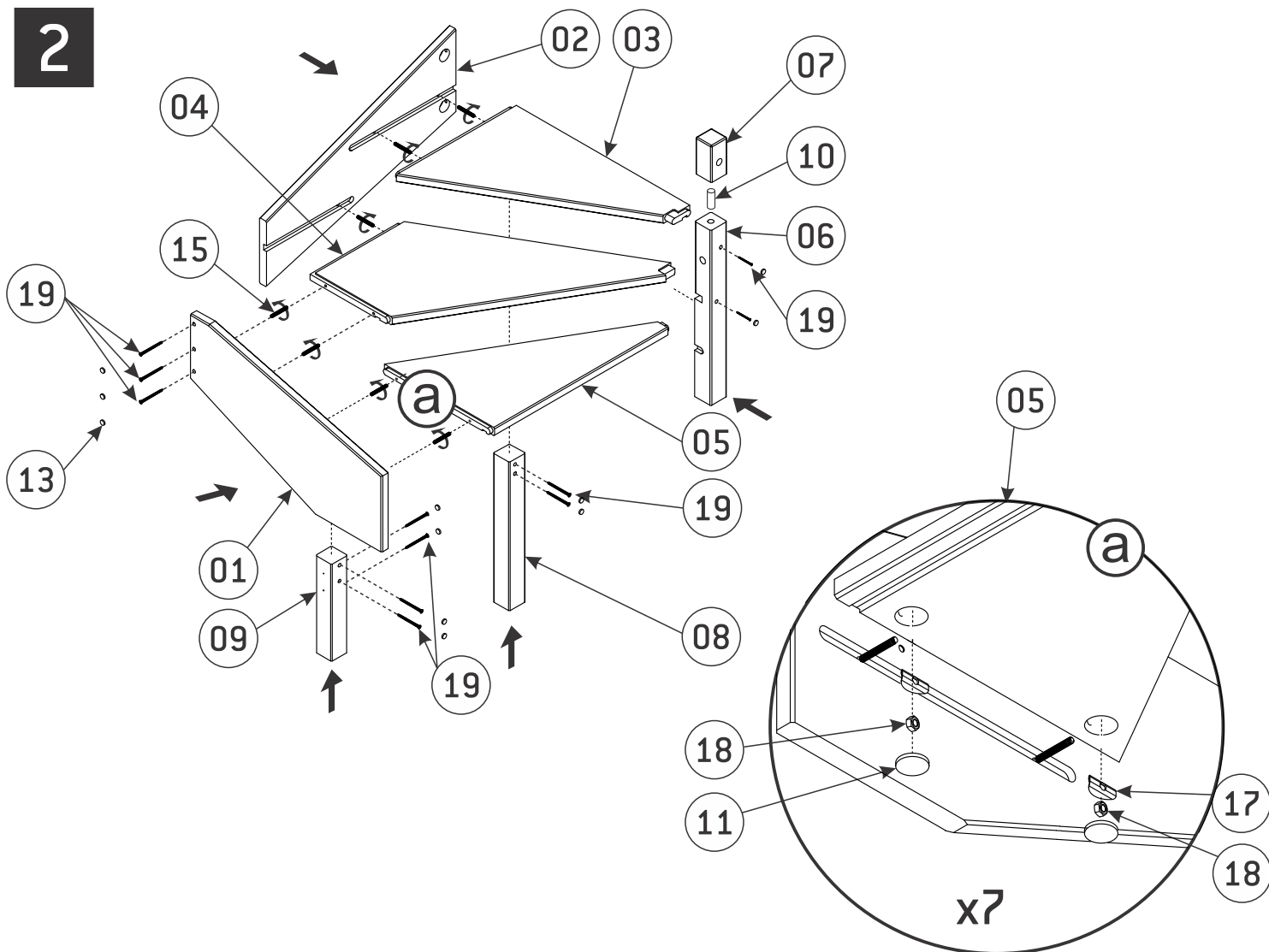
<p>01 31x483x836 mm x1</p>  <p>SAVOIE 70012063 JURA 70012033</p>	<p>02 31x563x828 mm x1</p>  <p>SAVOIE 70012064 JURA 70012034</p>	<p>03 31x523x782 mm x1</p>  <p>SAVOIE 70012065 JURA 70012035</p>	<p>05 31x482x782 mm x1</p>  <p>SAVOIE 70012066 JURA 70012036</p>	<p>07 70x70x140 mm x1</p> 	<p>09 70x70x367 mm x1</p> 	<p>11 040 x 6 mm x11+1</p> 
		<p>04 31x752x827 mm x1</p>  <p>SAVOIE 70012067 JURA 70012037</p>	<p>06 70x70x663,5 mm x1</p>  <p>SAVOIE 70012068 JURA 70012038</p>	<p>08 70x70x563 mm x1</p> 	<p>10 020 x 50 mm x1</p> 	<p>12 020 x 6 mm x2</p> 
<p>13 012 x 6 mm x12</p> 	<p>14 08 x 110 mm x1</p> 	<p>15 08 x 70 mm x8</p> 	<p>16 08 x 70 mm x1</p> 	<p>17 1.5x11x18.6mm x11</p> 	<p>18 M8 x11</p> 	
<p>19 05x60 mm x12+2</p>  <p>70031053</p>	<p>20 08 x 110 mm x1</p> 					



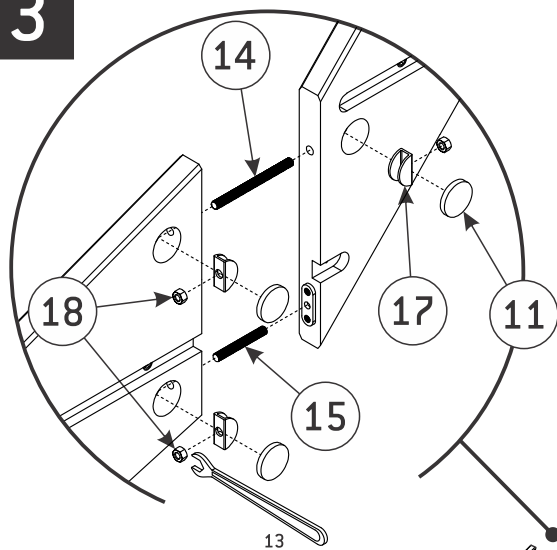
1



2

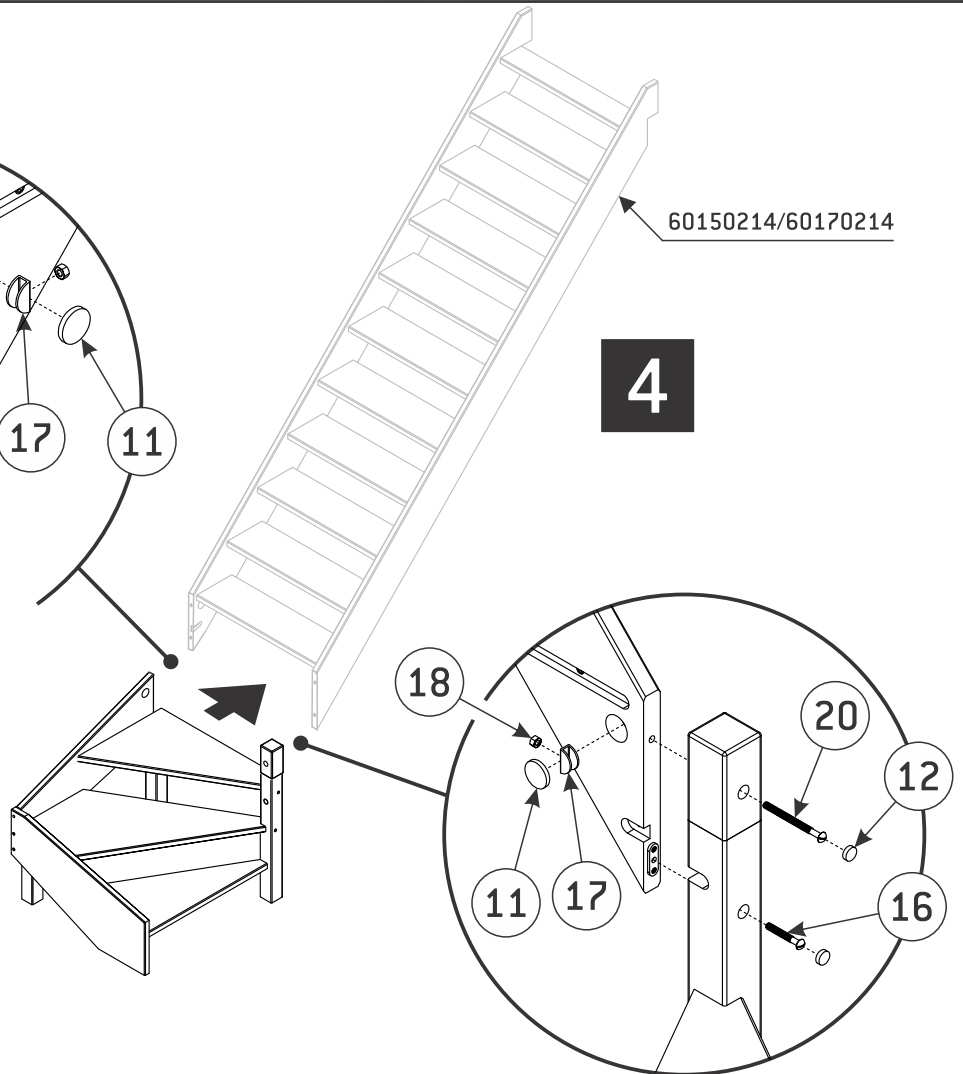


**3**

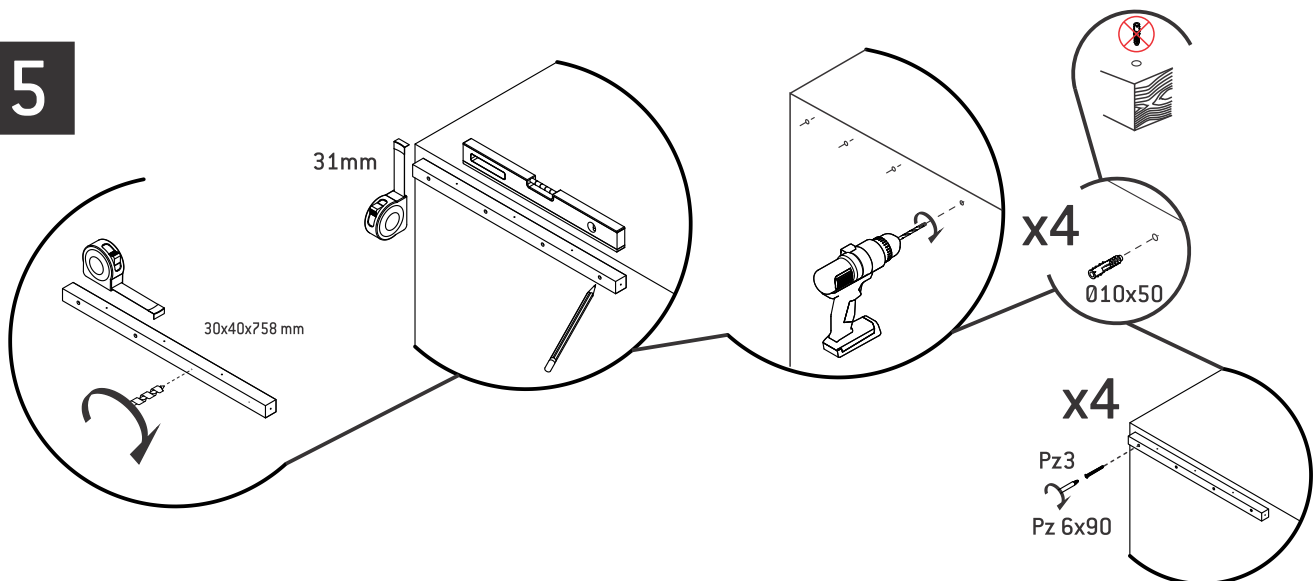


60150214/60170214

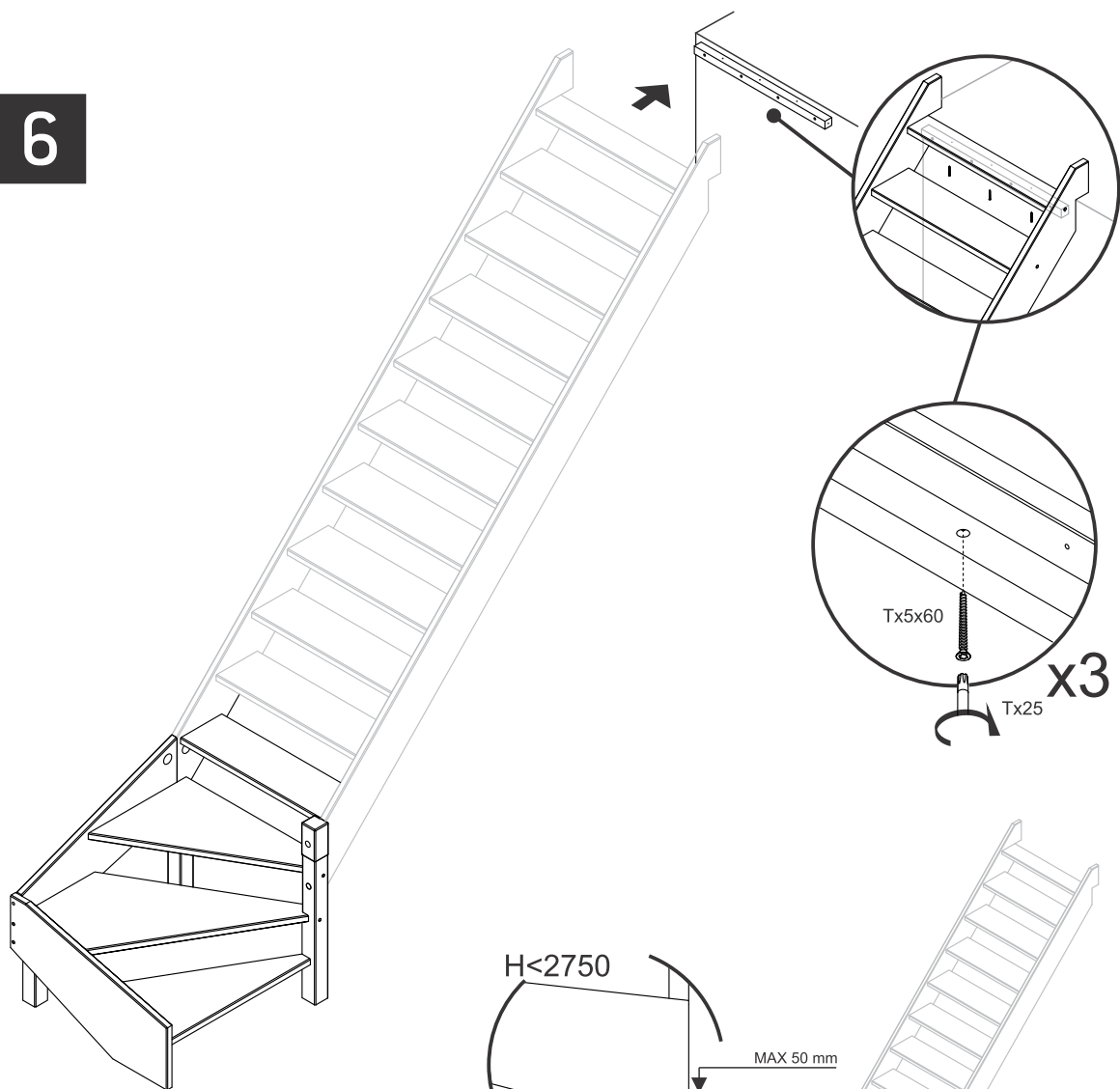
**4**



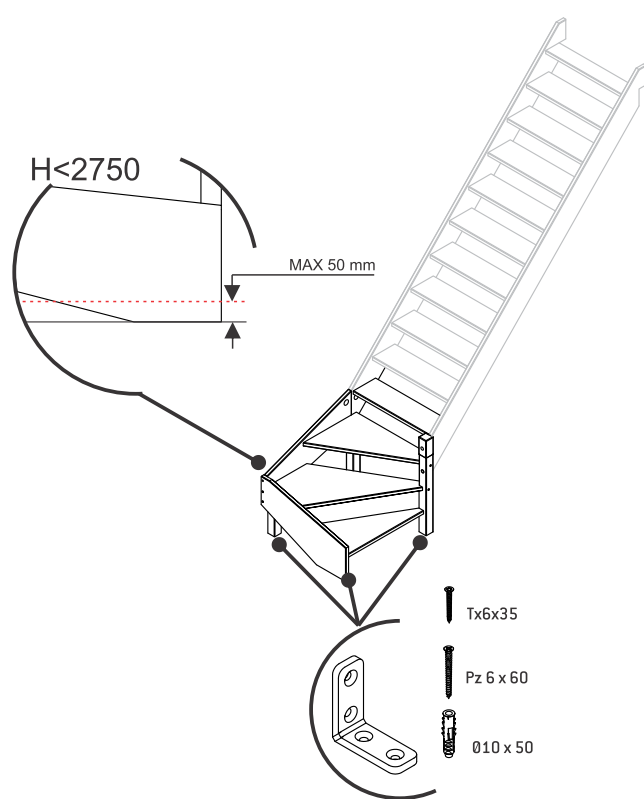
**5**



6



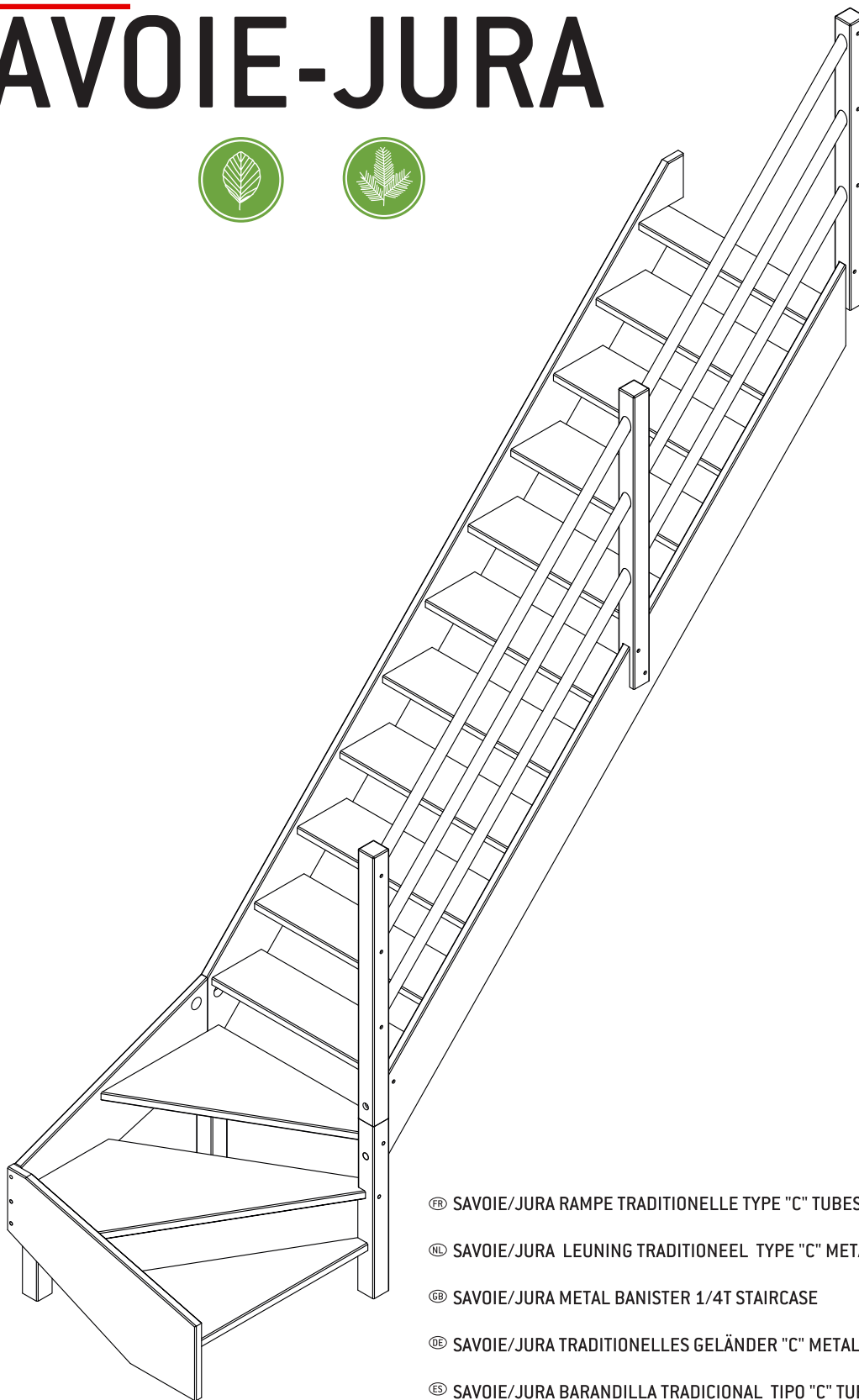
7



Producent: SOGEM Group, Rue Grimard, 39 B-6061 Montignies-Sur-Sambre (Charleroi) - Belgia  
 Dystrybucja: DOLLE Sp. z o.o., ul. Międzyrzecka 149, 43-382 Bielsko-Biała, Polska  
 Tel. 33 827-24-90, E-mail: biuro@dolle.com



# SAVOIE-JURA



FR SAVOIE/JURA RAMPE TRADITIONELLE TYPE "C" TUBES METAL ESC. 1/4 TOURNANT

NL SAVOIE/JURA LEUNING TRADITIONEEL TYPE "C" METALEN BUIZEN 1/4-SLAG

GB SAVOIE/JURA METAL BANISTER 1/4T STAIRCASE

DE SAVOIE/JURA TRADITIONELLES GELÄNDER "C" METALLRÖHRE GEWENDELTE TREPPE

ES SAVOIE/JURA BARANDILLA TRADICIONAL TIPO "C" TUBOS METAL ESC. 1/4 DE GIRO

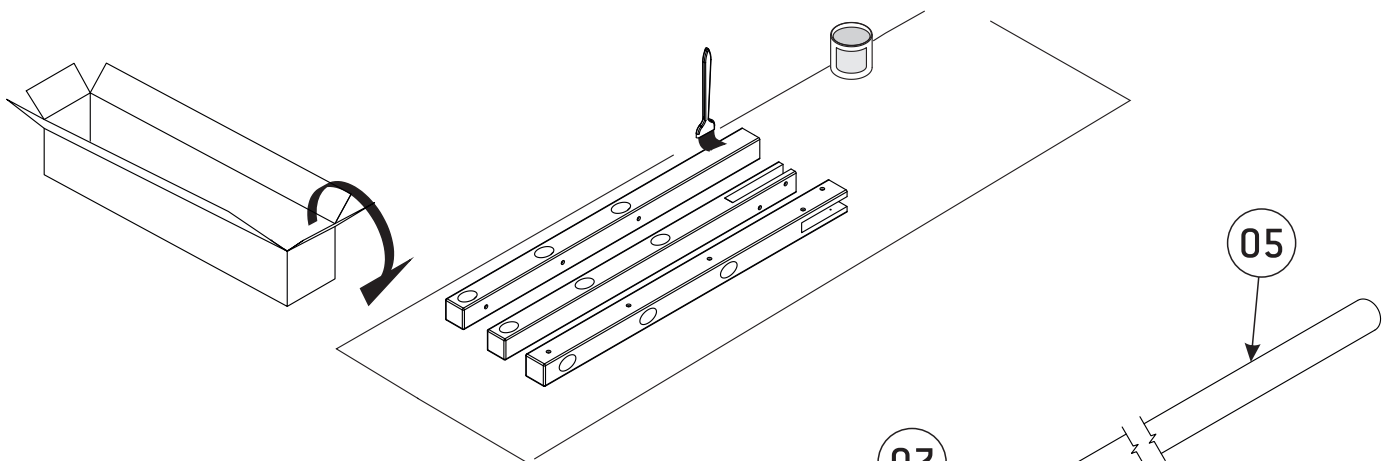
RO SAVOIE/JURA RAMPA METAL SCARA 1/4 T JOS

LT SAVOIE/JURA TURĖKLAS "C" LAIPTAMS SU KETVRČIO POSŪKIU

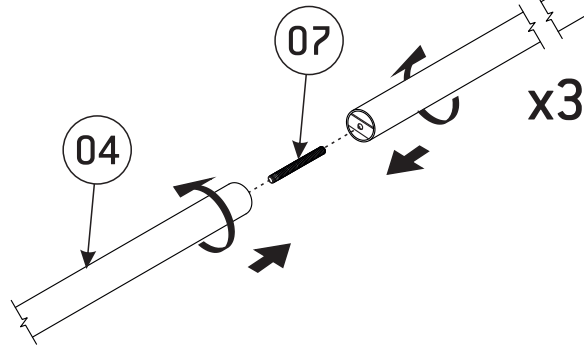
PL SAVOIE/JURA BALUSTRADA TYP C

<b>01</b> 70x70x1037.5 mm x1 	<b>02</b> 70x70x1126 mm x1 	<b>03</b> 70x70x1100 mm x1 	<b>04</b> Ø40x1668 mm x3 	<b>05</b> Ø40x1400 mm x3 	<b>06</b> 12x6 mm x15+1 	<b>08</b> 4,2x50 mm x6+1 	
					<b>07</b> M6x50 mm x3 	<b>09</b> Ø4x40 mm x8+2 	<b>10</b> Ø5x60 mm x1 

**1**

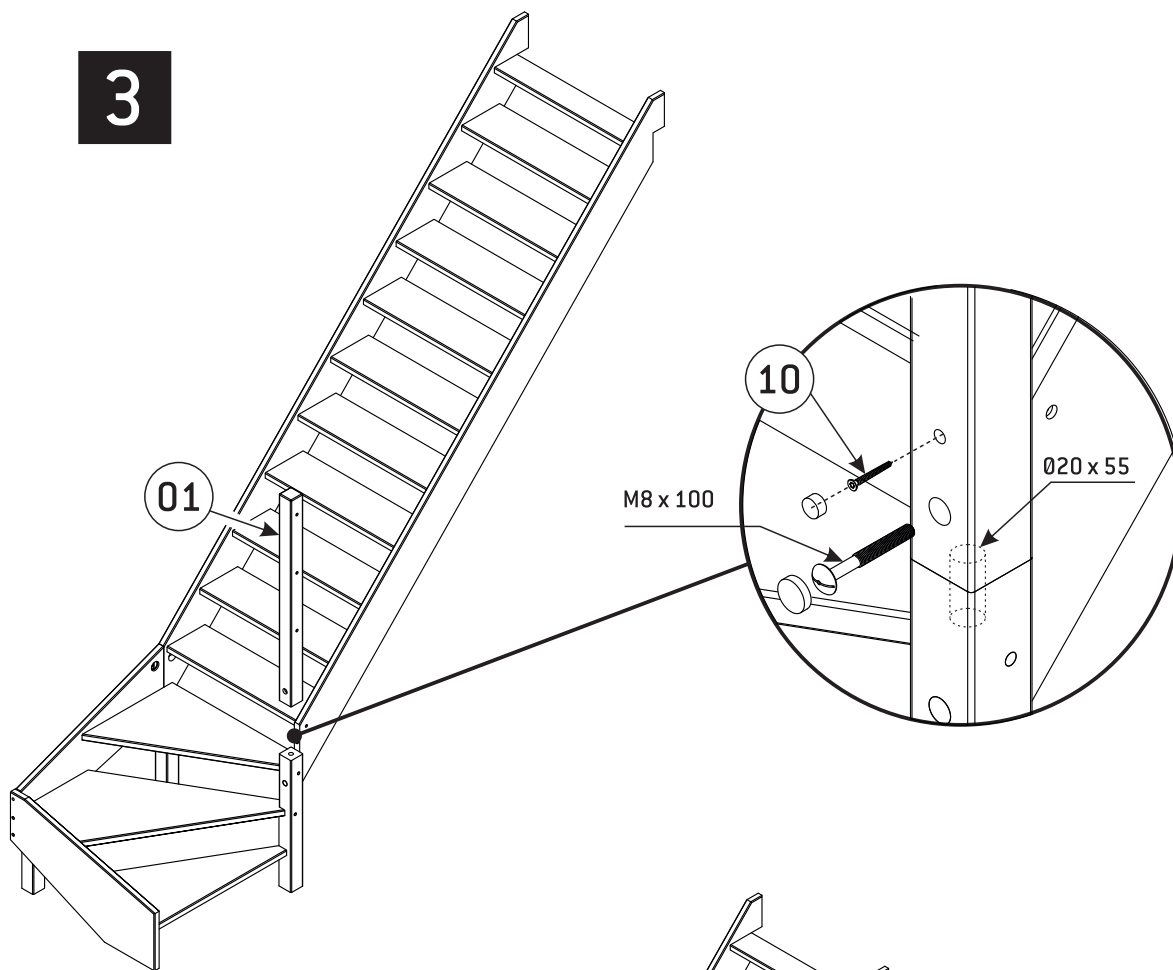


**2**

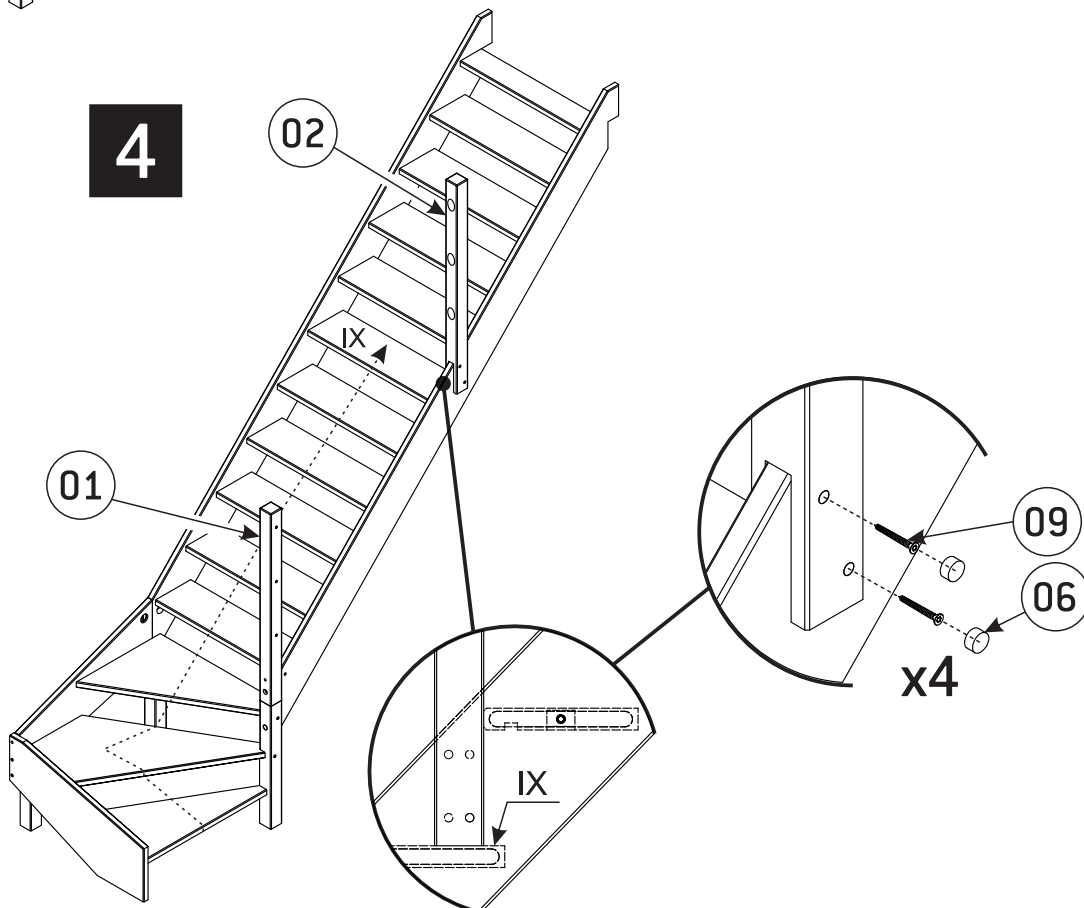


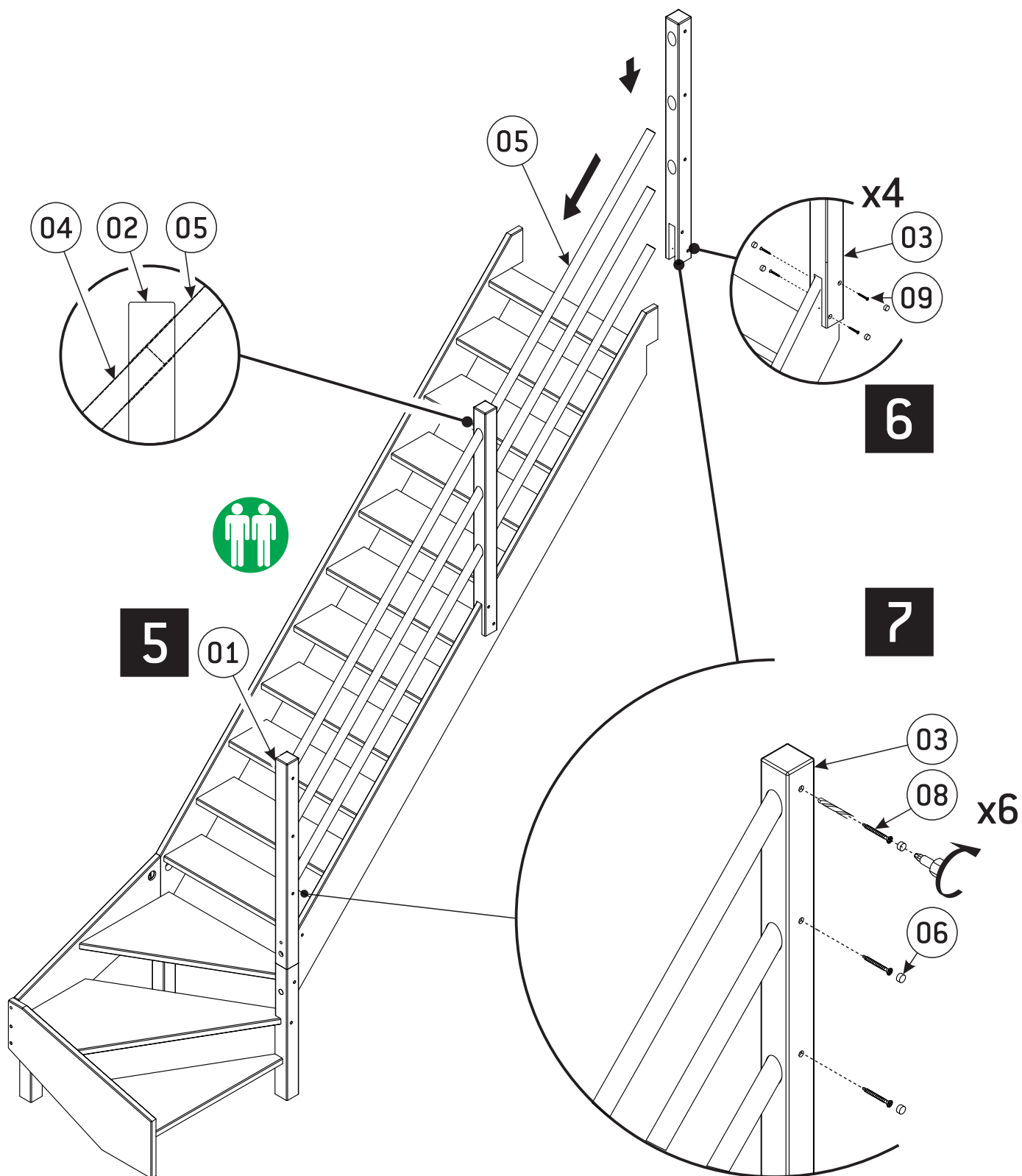
- |         |                |    |           |  |  |  |  |  |  |
|---------|----------------|----|-----------|--|--|--|--|--|--|
|         |                |    |           |  |  |  |  |  |  |
| Tx10-30 | Ph2/3<br>Pz2/3 | Ø3 | Ø4<br>Ø12 |  |  |  |  |  |  |

3



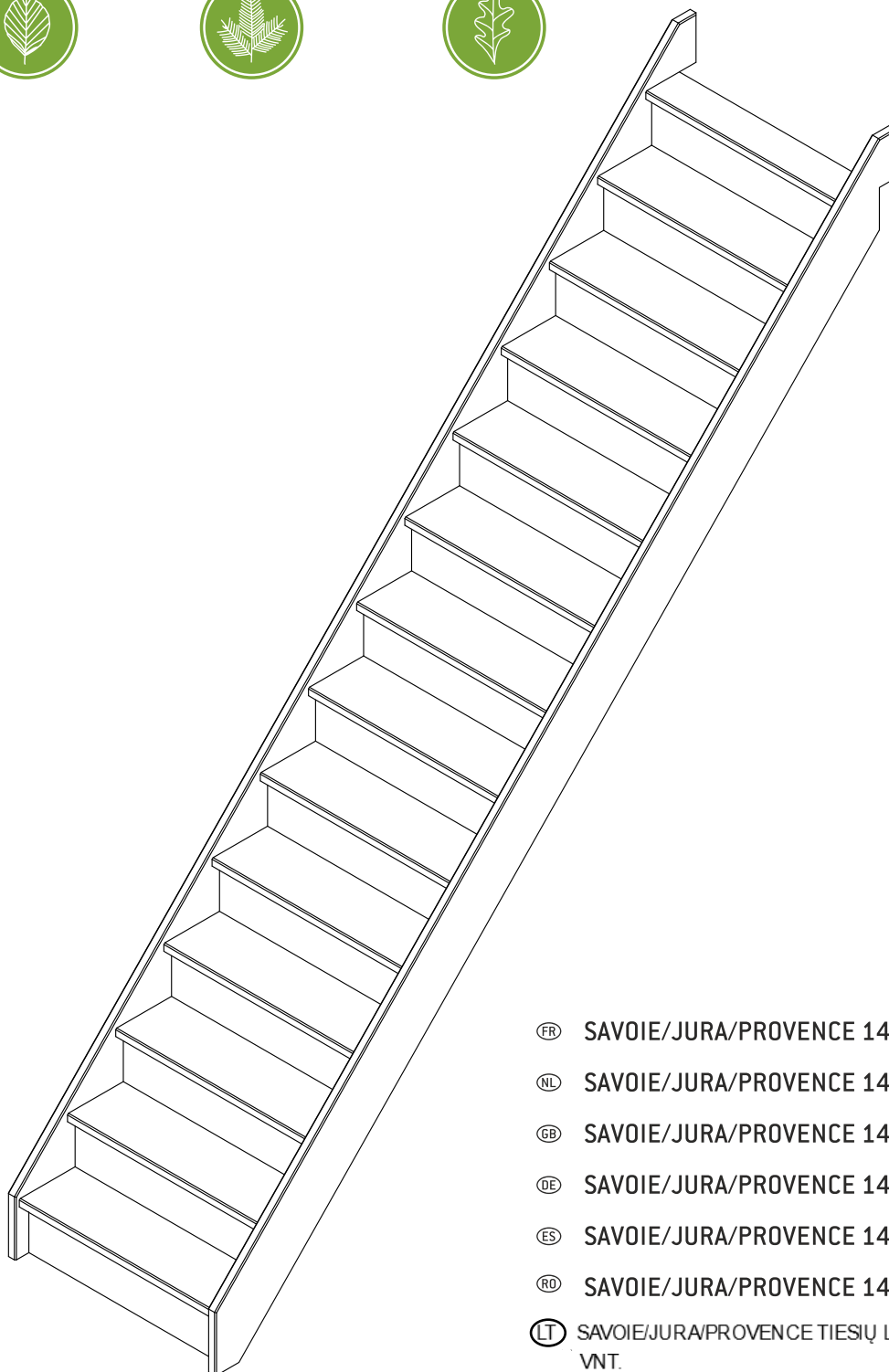
4



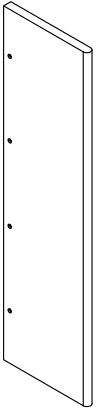
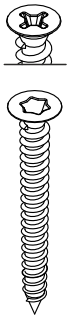



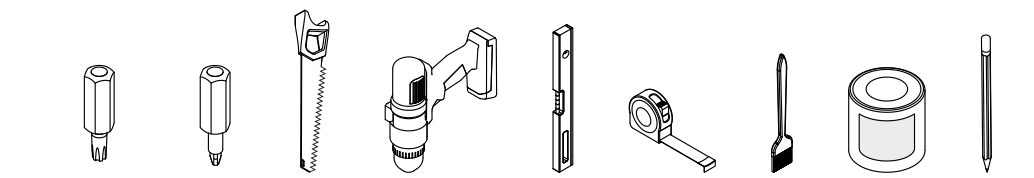
Producent: SOGEM Group, Rue Grimard, 39 B-6061 Montignies-Sur-Sambre (Charleroi) - Belgia  
 Dystrybutor: DOLLE Sp. z o.o., ul. Międzyrzecka 149, 43-382 Bielsko-Biała, Polska  
 Tel. 33 827-24-90, E-mail: biuro@dolle.com

## SAVOIE-JURA-PROVENCE



- Ⓕ SAVOIE/JURA/PROVENCE 14 CONTREMARCHE
- Ⓖ SAVOIE/JURA/PROVENCE 14 TEGENTREDEN
- Ⓖ SAVOIE/JURA/PROVENCE 14 RISERS STAIRCASE
- Ⓖ SAVOIE/JURA/PROVENCE 14 SETZSTUFEN
- Ⓖ SAVOIE/JURA/PROVENCE 14 CONTRAHUELLAS
- Ⓖ SAVOIE/JURA/PROVENCE 14 CONTRATREPTA SCARA
- Ⓖ SAVOIE/JURA/PROVENCE TIESIŲ LAIPTŲ PAKOPŲ UŽDENGIMAI. 14 VNT.

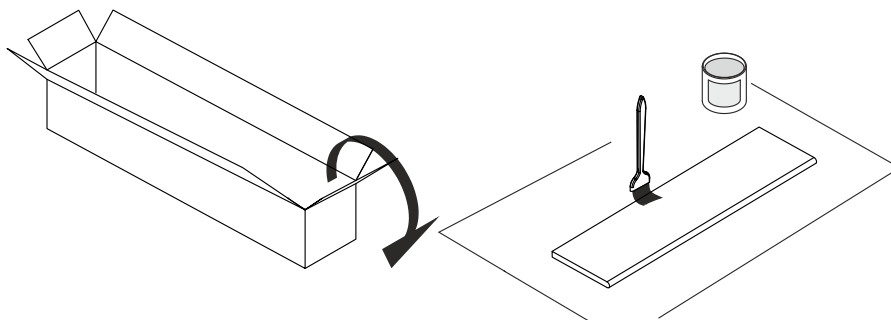
<p><b>01</b> 18x206x770 mm x14</p>  <p>PROVENCE 70012083 SAVOIE 70012053 JURA 70012023</p>	<p><b>02</b> 04 x 40 mm x52+2</p>  <p>70031054</p>	<p><b>03</b> 04 x 35 mm x8</p>  <p>70031050</p>
---	---	---



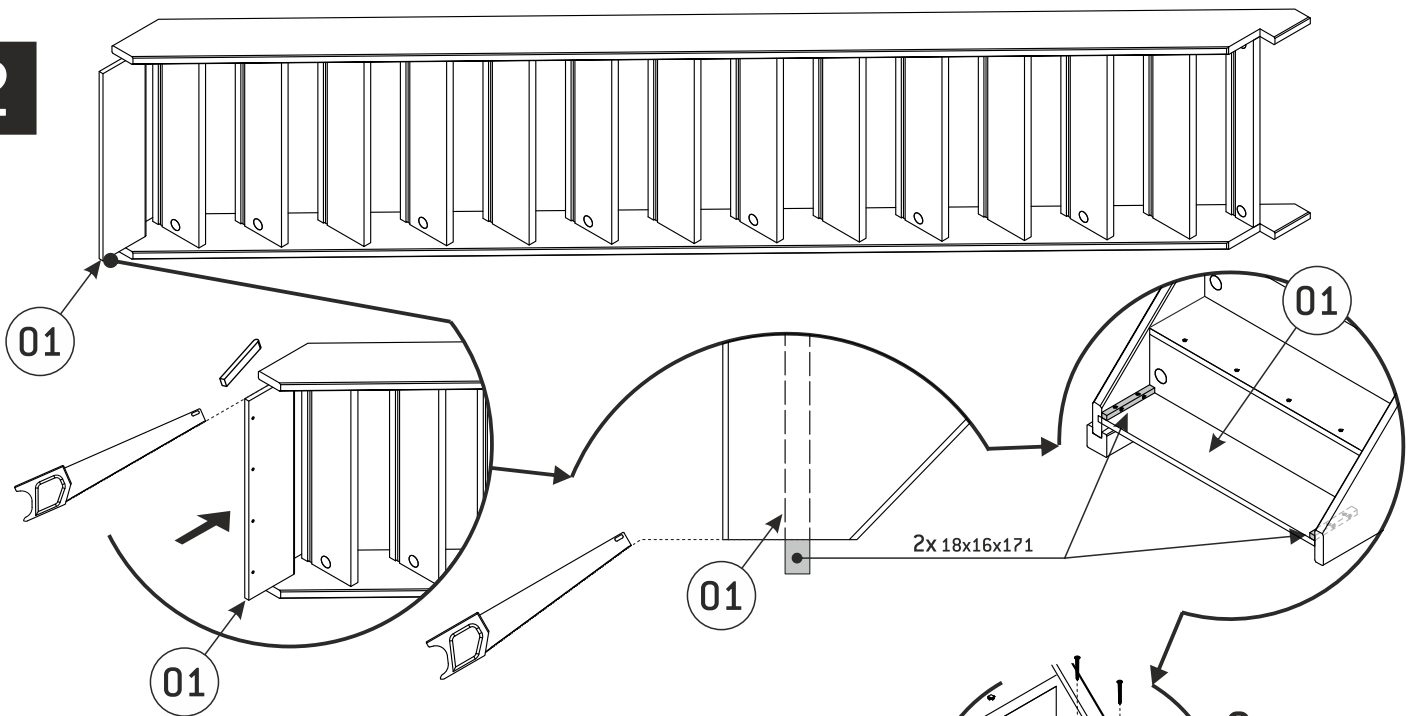
Tx10-30

Ph2/3  
Pz2/3

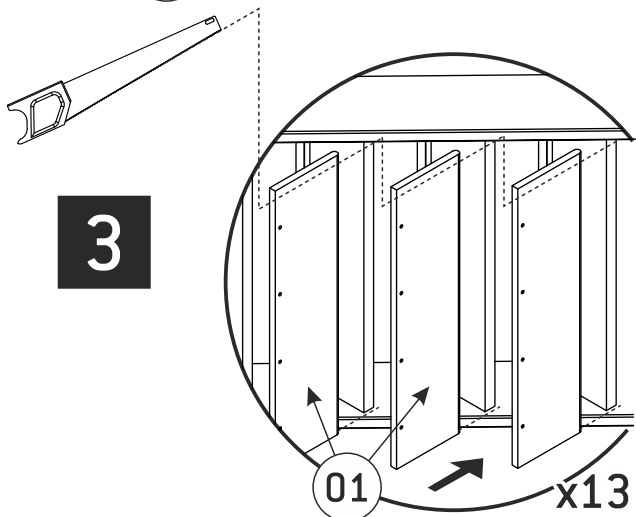
**1**



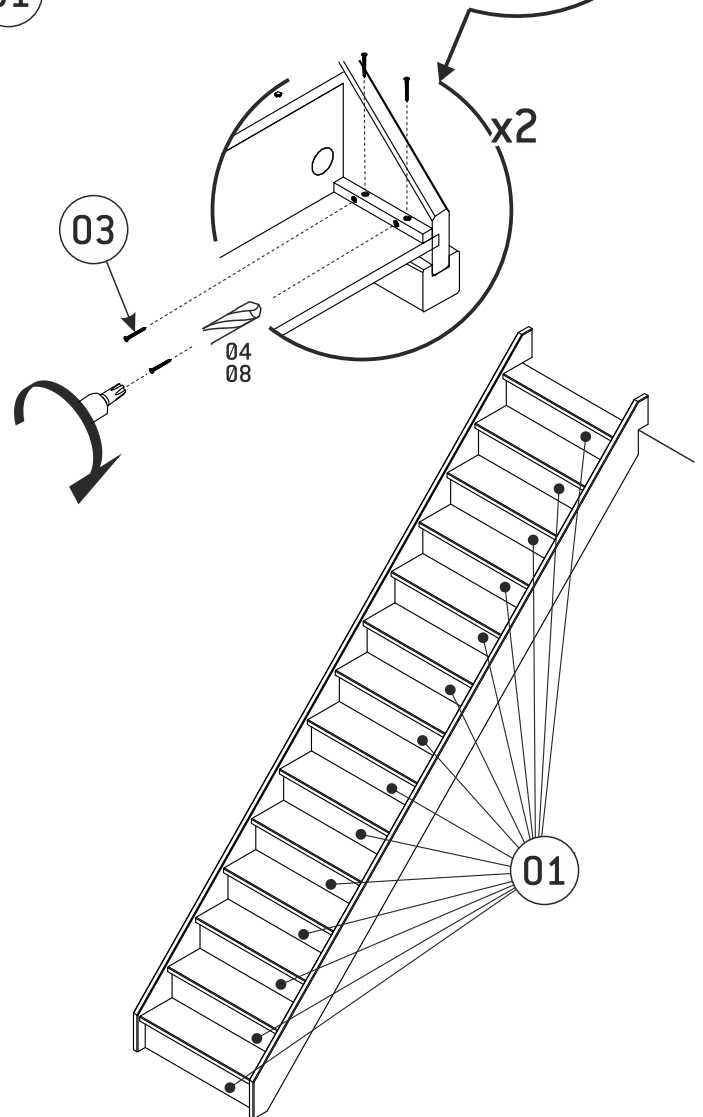
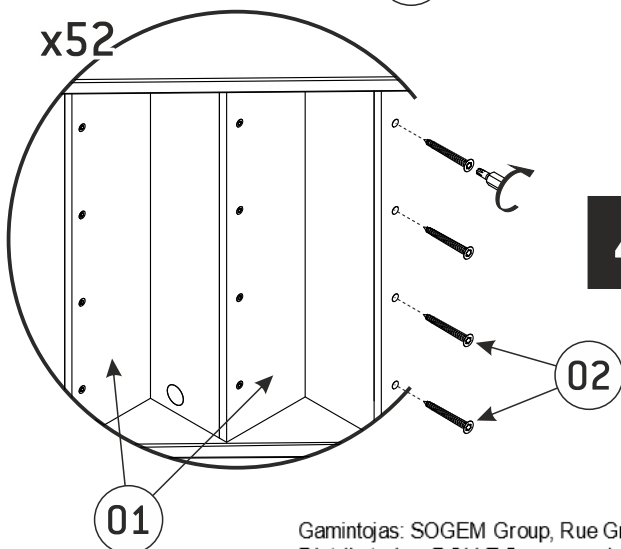
2



3



4



Gamintojas: SOGEM Group, Rue Grimard, 39 B-6061 Montignies-Sur-Sambre (Charleroi) - Belgium  
 Distributorius: DOLLE Sp. z o.o., ul. Międzyrzecka 149, 43-382 Bielsko-Biała, Poland  
 Tel. +48 33 827-24-90, E-mail: biuro@dolle.com