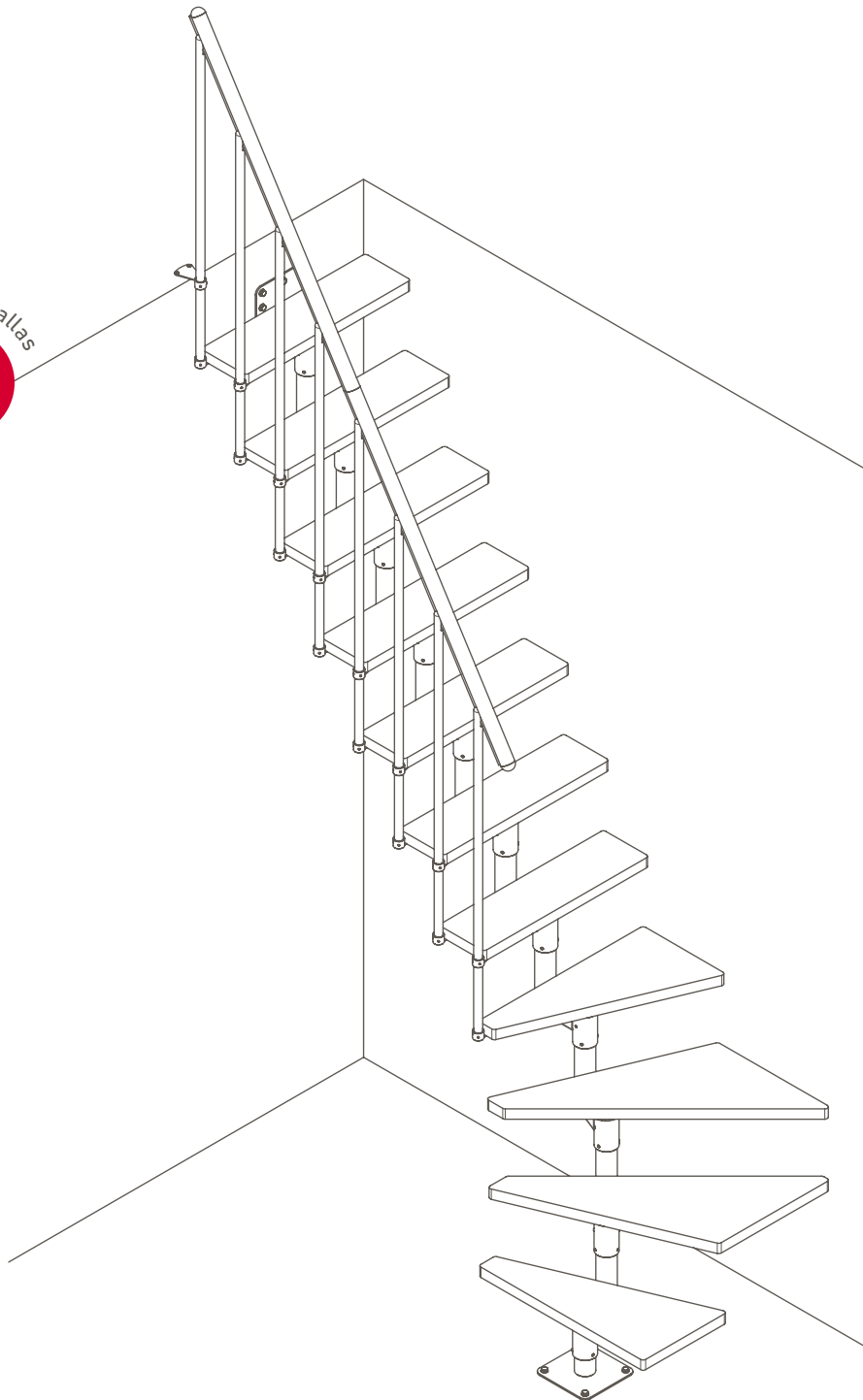


dolle.com/dallas

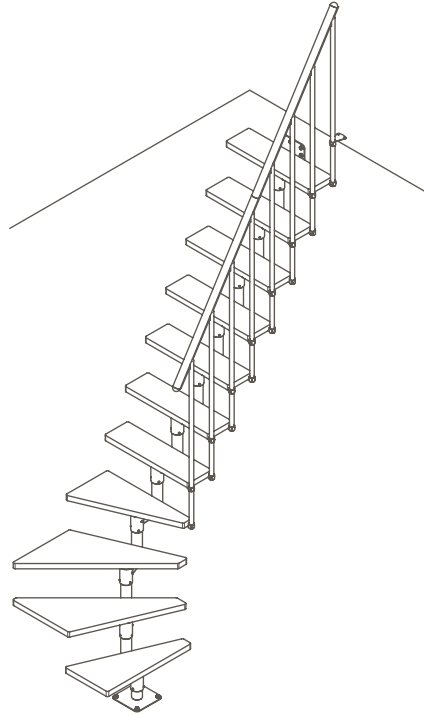
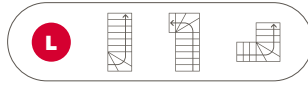


DALLAS

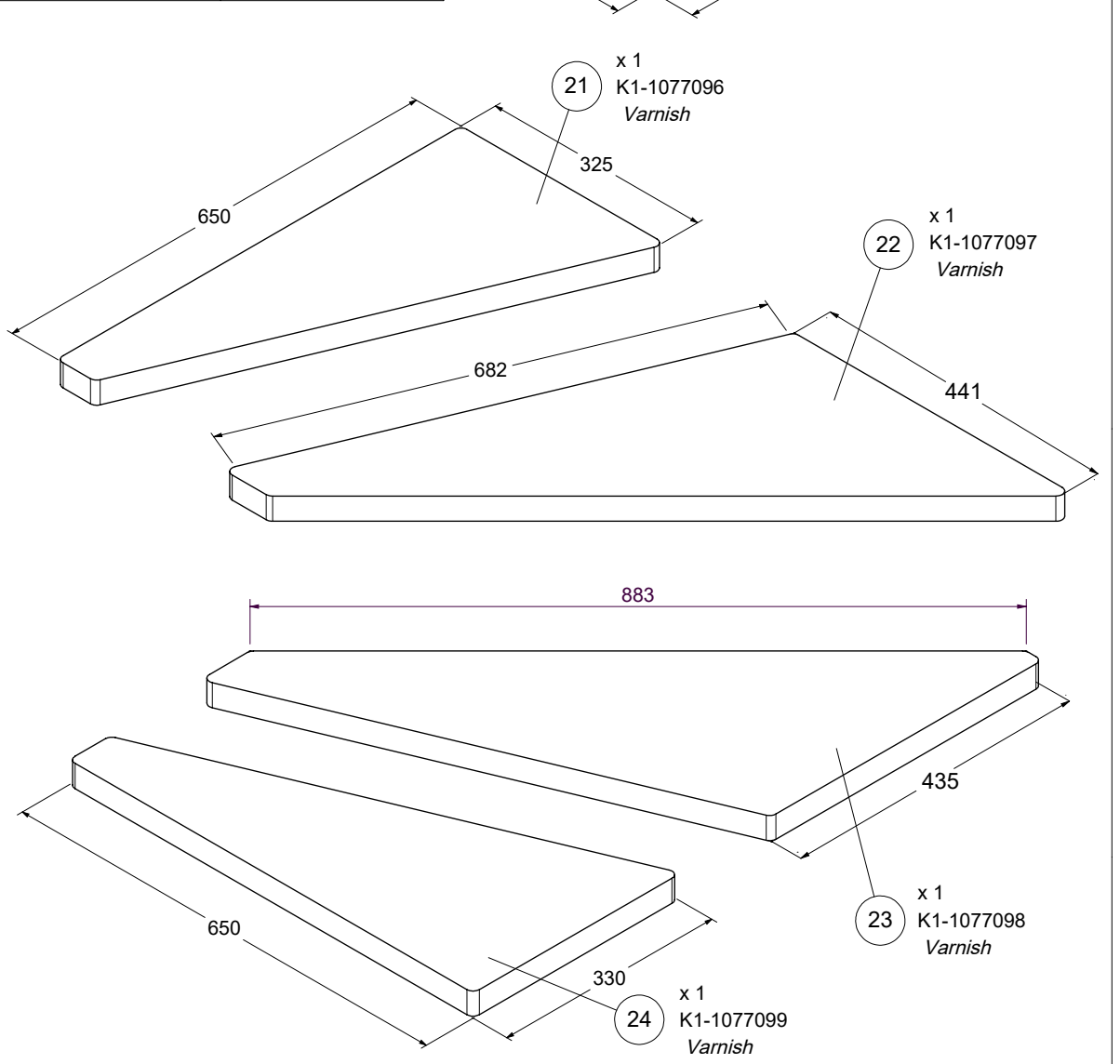
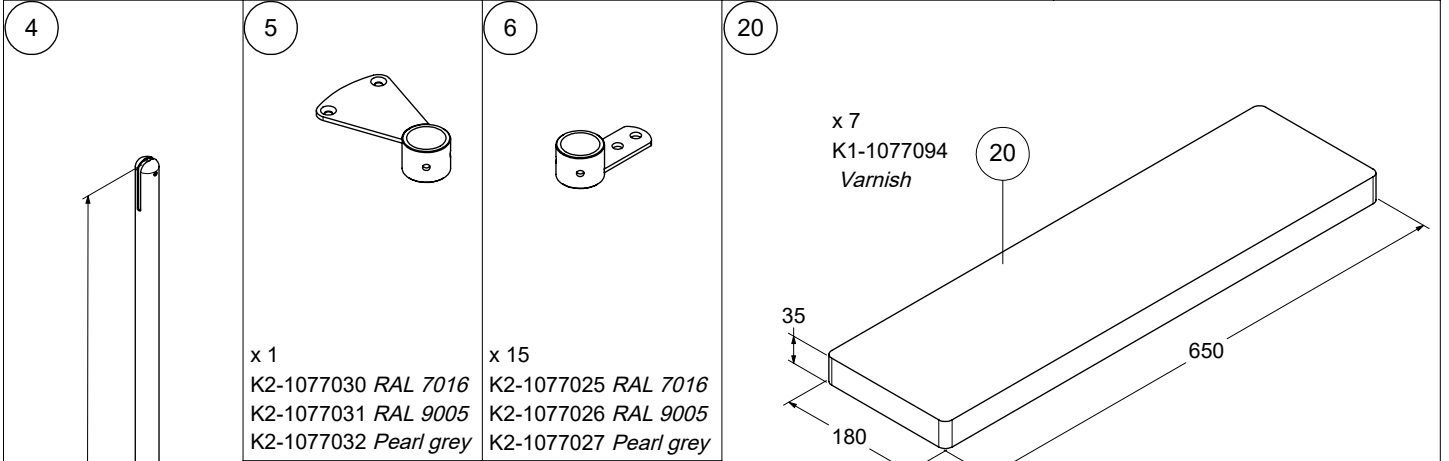
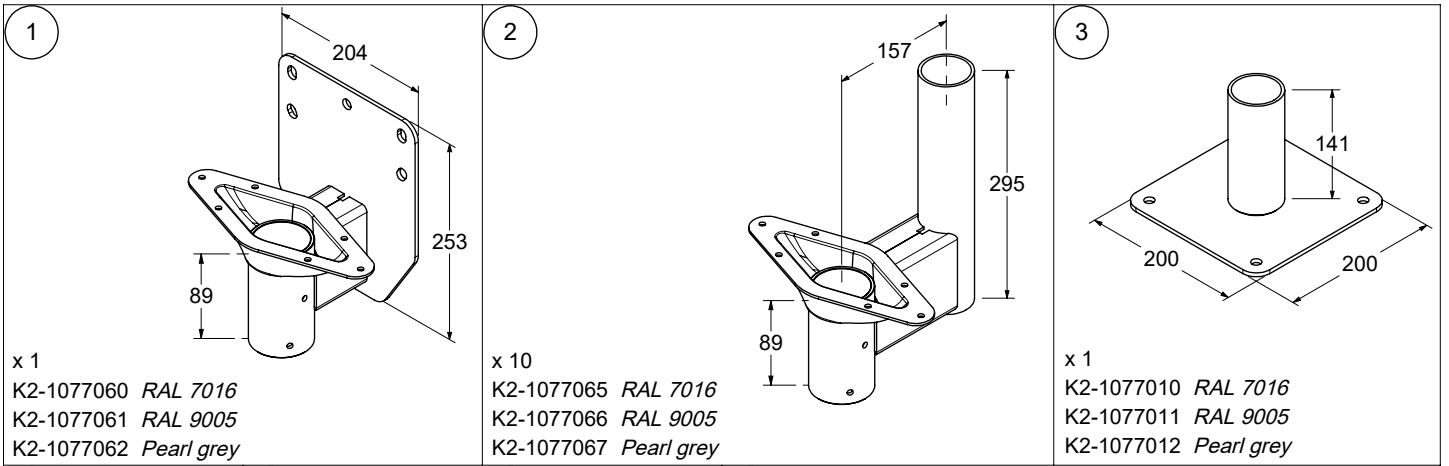
**INSTRUCTION / MONTAGEANLEITUNG
INSTRUKTION / INSTRUCCIÒN / INSTRUKCJA**

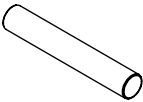

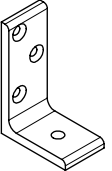
SOGEM[®]

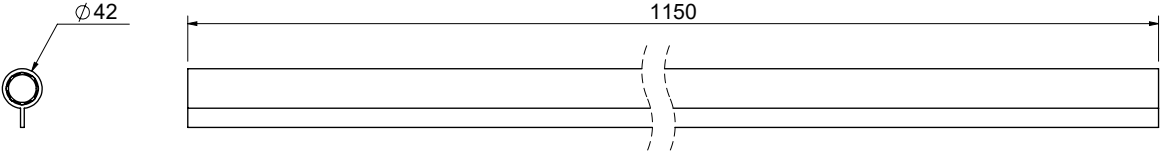
PART OF DOLLE GROUP



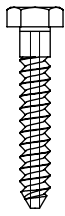

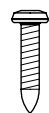






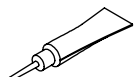


| | | | |
|--|--|--------------------|----------------------------|
| | Height floor-to-floor | Rise height | Number of treads |
| | Geschosshöhe | Steigungshöhe | Anzahl Stufen |
| | Hauteur sol-sol | Hauteur de marche | Nombre de marches |
| | Altura de suelo/suelo | Altura de peldaños | Número de peldaños |
| | Altura do chão / chão | Altura do degrau | Número de etapas (degraus) |
| | Hoogte vloer/vloer | Hoogte trede | Aantal treden |
| | Etagehøjde | Stigningshøjde | Antal trin |
| | Golv till golv höjd | Stigningshöjd | Antal steg |
| | Wysokość kondygnacji od podłogi do podłogi | Wysokość stopnia | Ilość stopni |
| | Înălțime sol-sol | Înălțime treaptă | Număr trepte |
| | Výška patra podlaha-podlaha | Výška schodu | Počet nášlapů |
| | Висота от пола до пола | Шаг ступени | Кол-во ступеней |
| | Aukšto aukštis | Pakopos aukštis | Pakopų kiekis |
| | Stāva augstums | Pakāpiena augstums | Pakāpienu skaits |
| | Korruse kõrgus | Astme kõrgus | Astmete arv |
| | Višina nadstropja | Višina stopnice | Število stopnic |
| | Visina kata | Visina stepenice | Broj stepenica |
| | Výška podlažia | Výška stupňa | Počet stupňov |



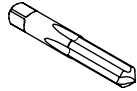


| | | |
|---|---|---|
| <p>26</p>  <p>x 1 K1-71276</p> | <p>27</p>  <p>x 2 K1-71275 RAL 9006 K1-71475 RAL 7016/9005</p> | <p>30</p>  <p>x 2 K1-1077195 RAL 7016 K1-1077196 RAL 9005 K1-1077197 Pearl grey</p> |
|---|---|---|

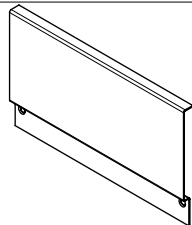
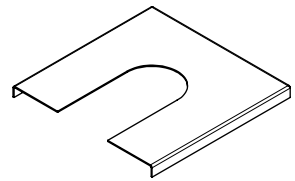
| |
|--|
| <p>28</p>  <p>x 2 K2-1077090 RAL 7016/9005 K2-1077092 RAL 9006</p> |
|--|




| | | | | | |
|--|---|--|---|---|---|
| <p>40</p>  <p>x 9 K3-08001 Ø12 x 60</p> | <p>41</p>  <p>x 9 K3-04001 Ø10</p> | <p>42</p>  <p>x 9 K3-06003 Ø10 x 60</p> | <p>43</p>  <p>x 55 K3-05003 M8 x 6</p> | <p>44</p>  <p>x 96 K3-06130 Ø6 x 30 TX30</p> | <p>45</p>  <p>x 32 K3-05056 M6 x 5</p> |
|--|---|--|---|---|---|

| | | | | | |
|---|---|--|--|--|---|
| <p>46</p>  <p>x 8 K3-05011 M5 x 20</p> | <p>47</p>  <p>x 2 K3-08002 Ø8 x 40</p> | <p>48</p>  <p>x 2 K3-06027 Ø5 x 50 TX25</p> | <p>49</p>  <p>x 1 K3-90001</p> | <p>50</p>  <p>x 6 K3-06135 Ø6 x 35 TX30</p> | <p>52</p>  <p>x 2 K3-06015 Ø8 x 70</p> |
|---|---|--|--|--|---|

| | | |
|--|--|--|
| <p>53</p>  <p>x 2 K3-04028 Ø8</p> | <p>54</p>  <p>x 2 K3-08004 Ø10 x 60</p> | <p>55</p>  <p>x 1 K3-10010 M8</p> |
|--|--|--|

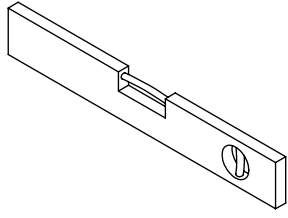
| | |
|--|--|
| <p>OPTION MÖGLICHKEIT OPTIE OPTION MULIGHED</p> | <p>Cover kit Abdeckkappen Afdekkkit Kit de couverture Afdækningskit</p> |
|--|--|

| | |
|--|--|
| <p>10</p>  <p>x 1 K1-1077070 RAL 7016 K1-1077071 RAL 9005 K1-1077072 Pearl grey</p> | <p>11</p>  <p>x 1 K1-1077075 RAL 7016 K1-1077076 RAL 9005 K1-1077077 Pearl grey</p> |
|--|--|

| | | |
|---|---|---|
| <p>51</p>  <p>x 2 K3-06022 Ø5 x 35</p> | <p>56</p>  <p>x 2 K3-08006 Ø6 x 40</p> | <p>58</p>  <p>x 8 R3-20590</p> |
|---|---|---|

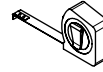
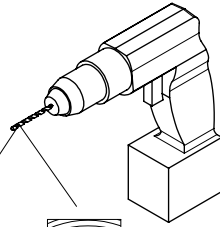


Tools not included!
 Werkzeuge nicht enthalten!
 Gereedschap niet inbegrepen!
 Outils non inclus!
 Værktøj ikke inkluderet!

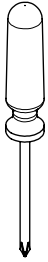
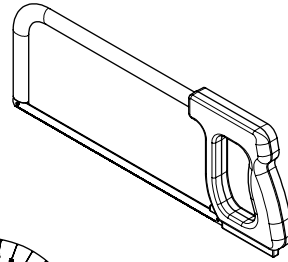


- Ø 6mm
- Ø 8mm
- Ø 10mm
- Ø 12mm

- Ø 4mm
- Ø 6mm



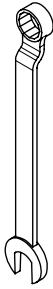
~ 50mm ~ 50mm



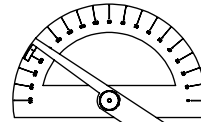
TX25
 TX30
 PH/PZ



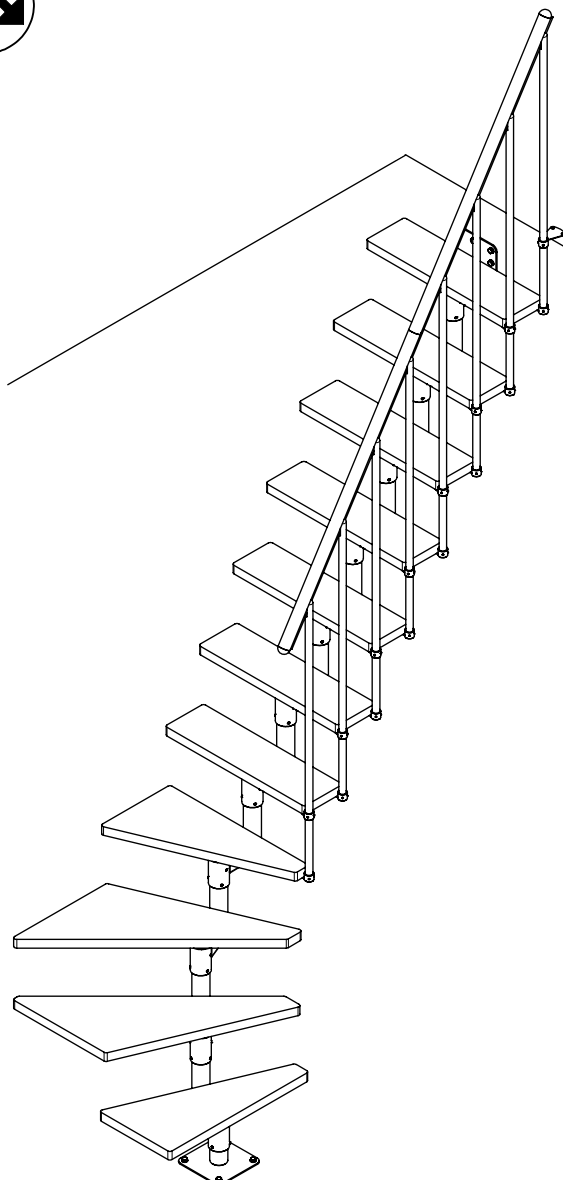
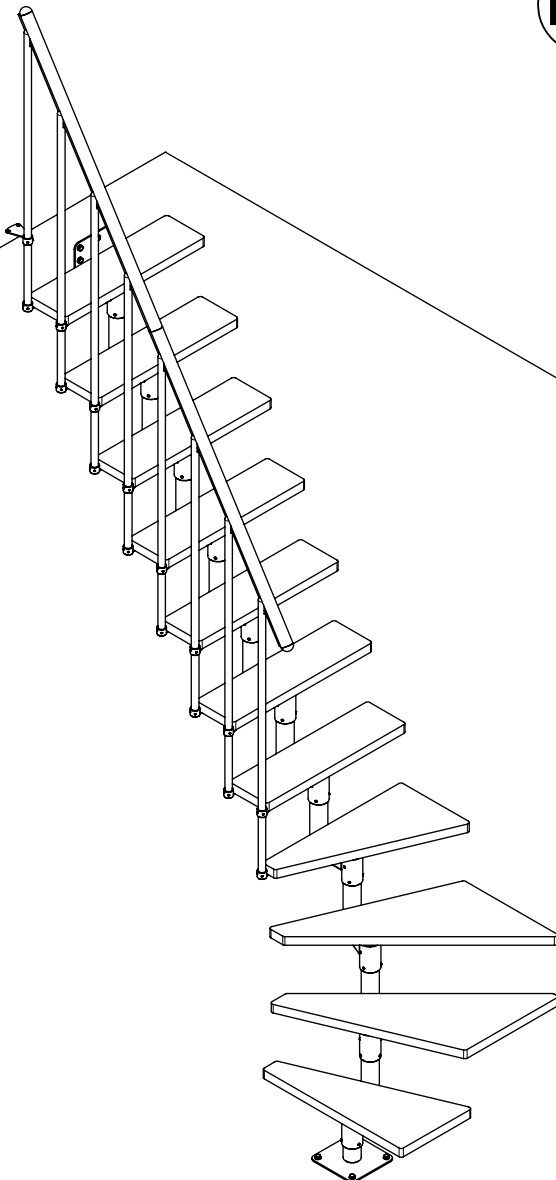
2,5 mm
 3 mm
 4 mm

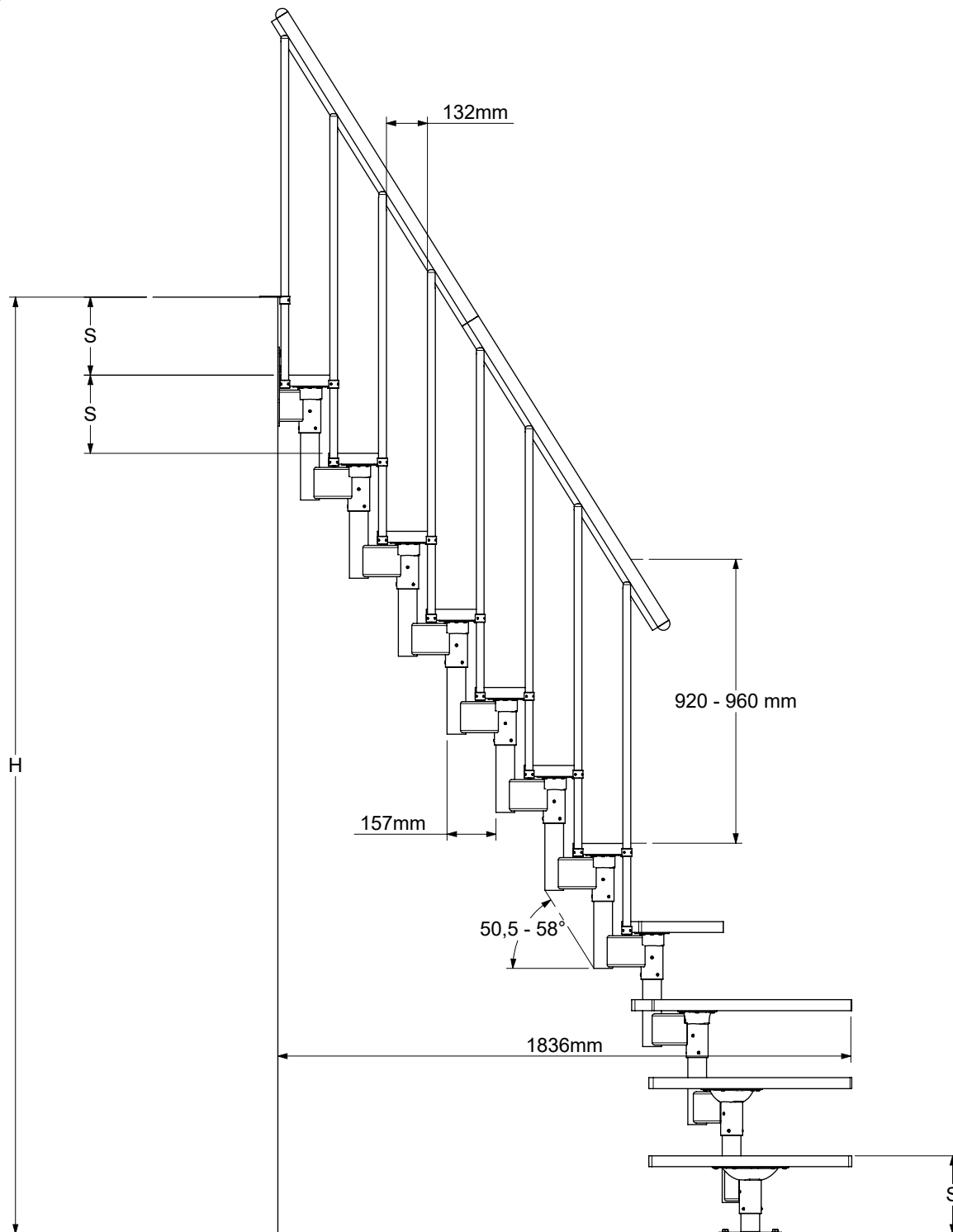


16mm



Protractor
 Winkelmesser
 Gradenboog
 Rapporteur d'angle
 Vinkelmåler





$$S = \frac{H}{T + 1}$$

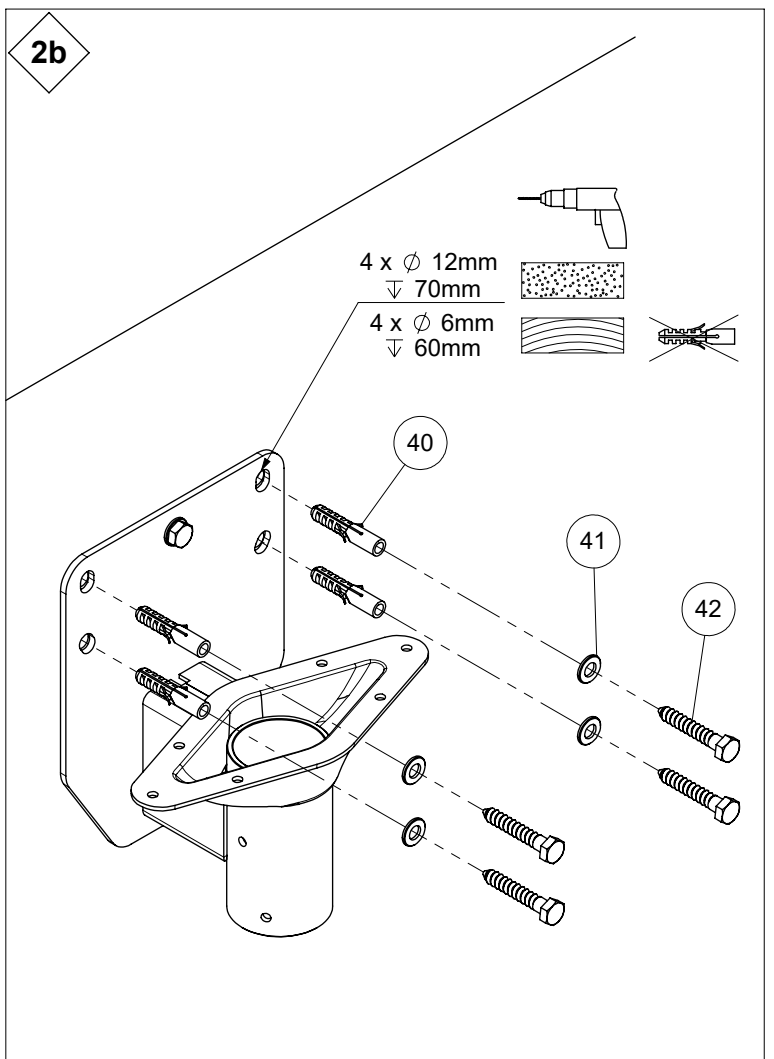
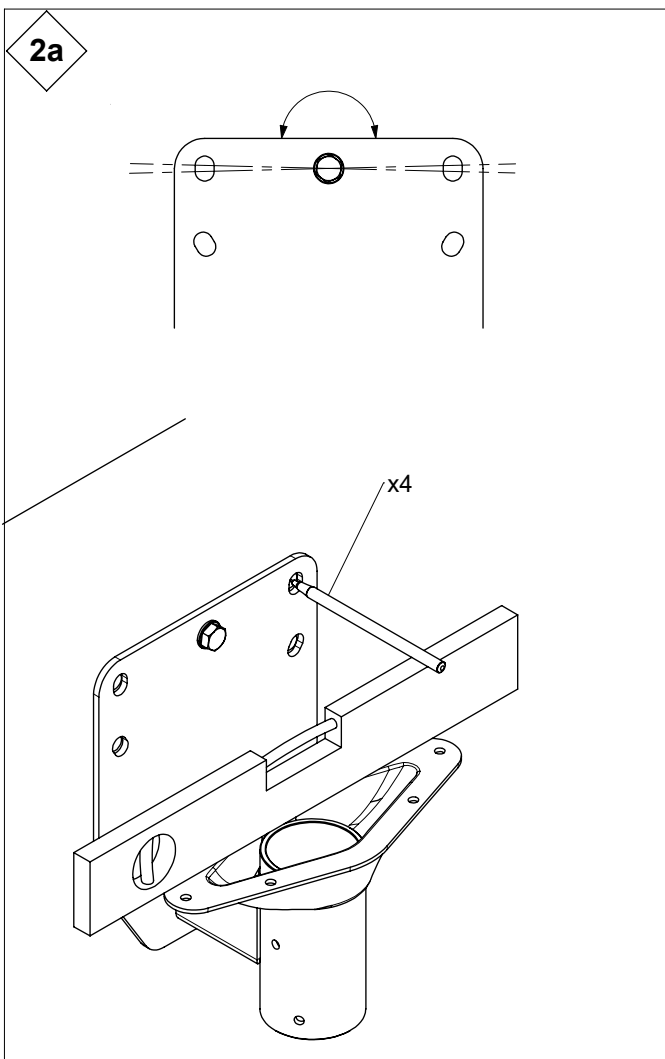
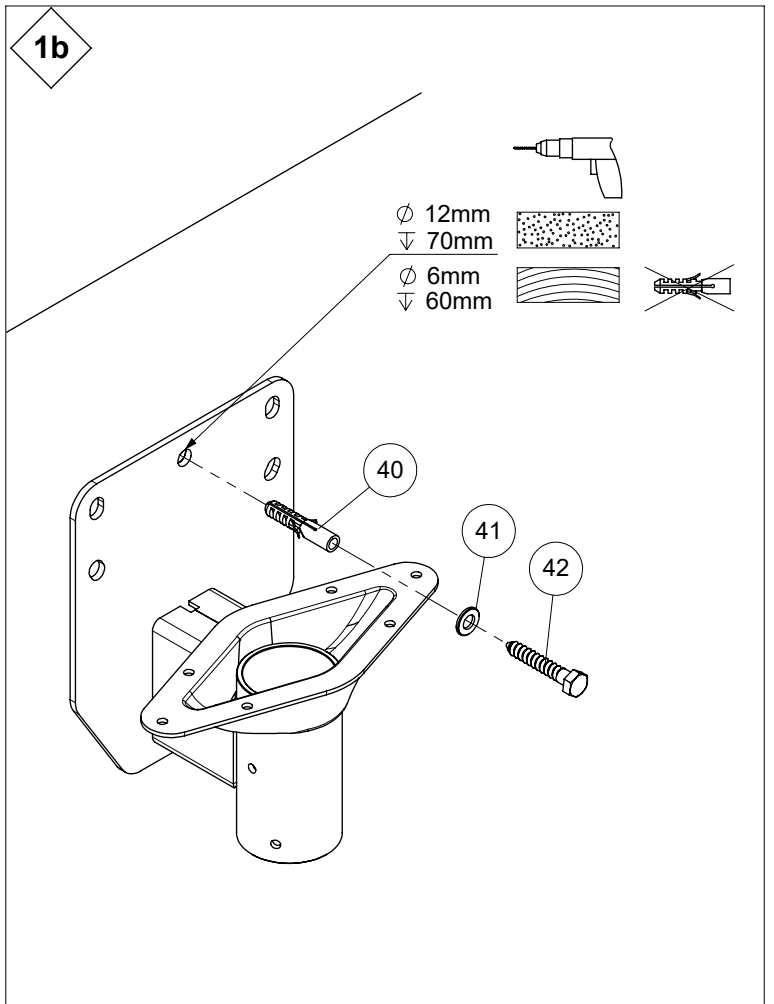
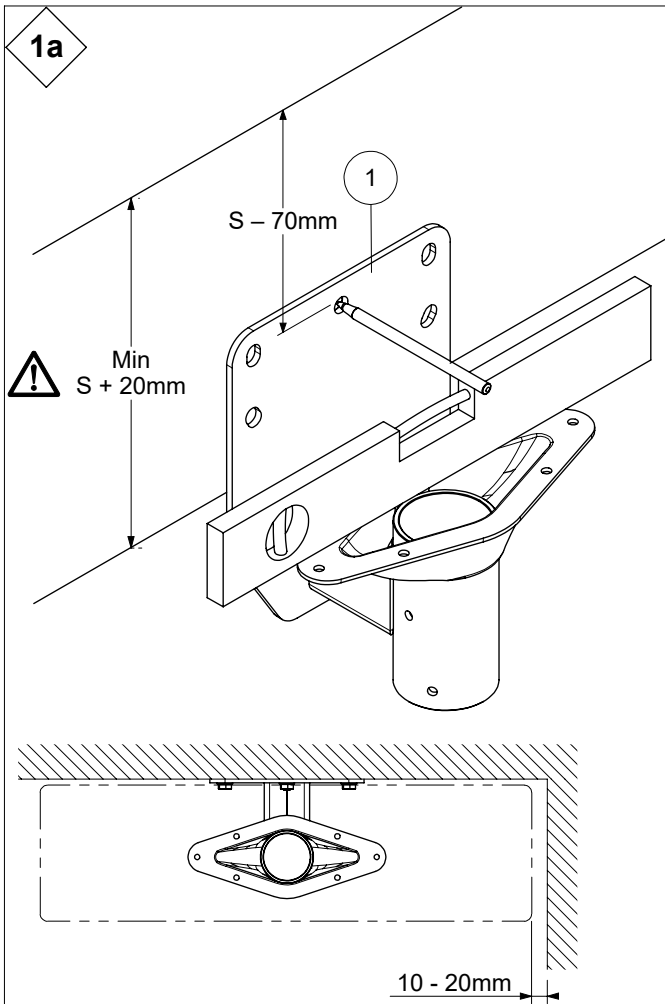
| | |
|--------|--------|
| min S | max S |
| 190 mm | 250 mm |

Example / Beispiel / Voorbeeld / Example / Eksempel:
H: 2400 mm, T: 11 steps

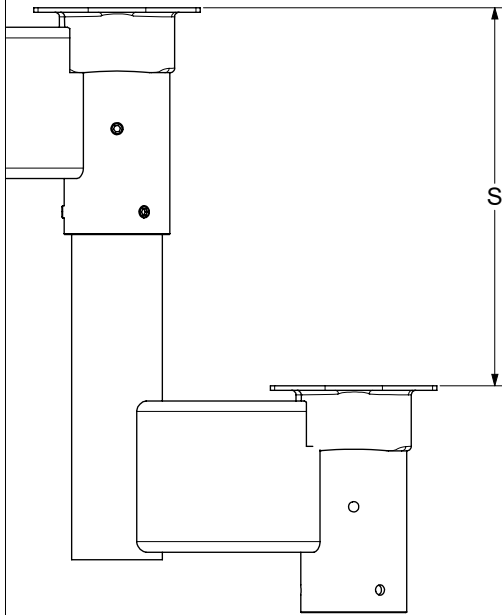
| T | min H | max H |
|----------|---------|---------|
| 9 steps | 1900 mm | 2500 mm |
| 10 steps | 2090 mm | 2750 mm |
| 11 steps | 2280 mm | 3000 mm |

$$S = \frac{2400 \text{ mm}}{11 + 1} = 200 \text{ mm}$$



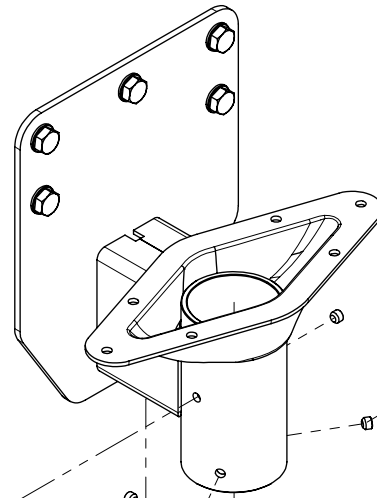


3



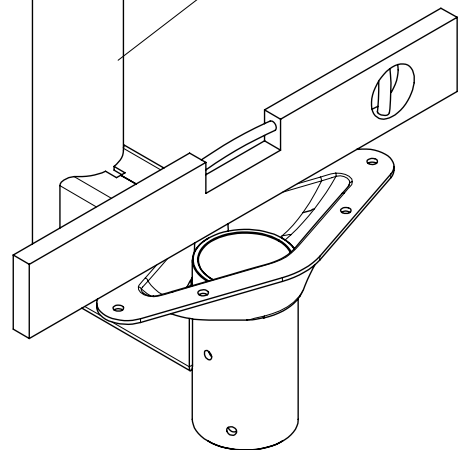
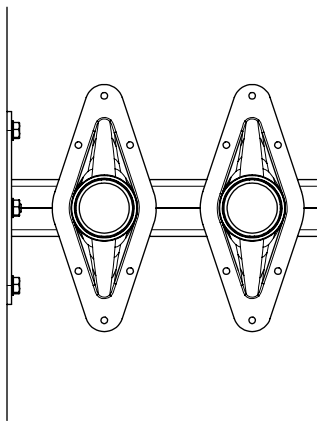
For removing burrs
Zum Entgraten
Om onregelmatigheden te elimineren
Pour éliminer les irrégularités
Til fjernelse af grater

55

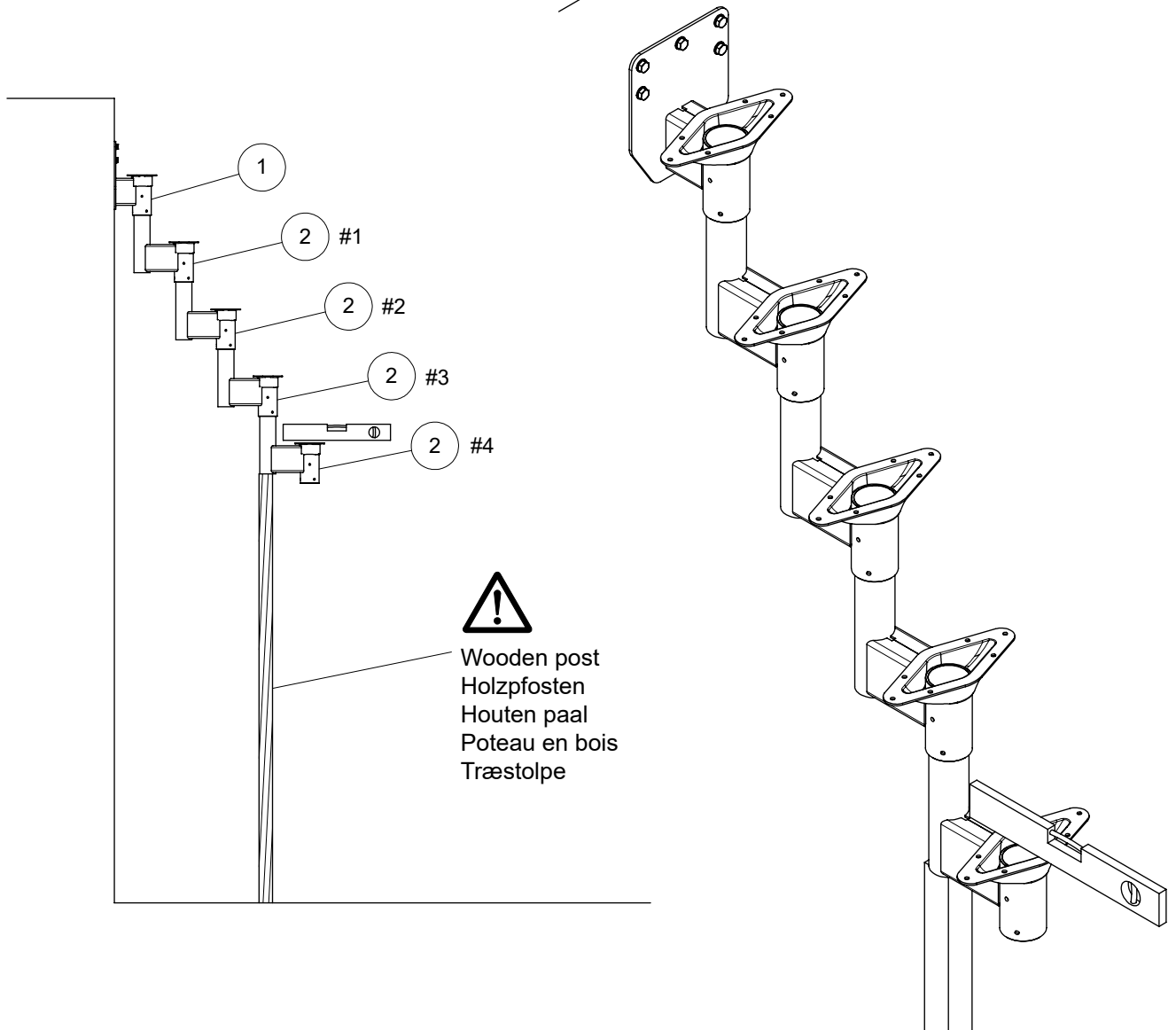


43 5x

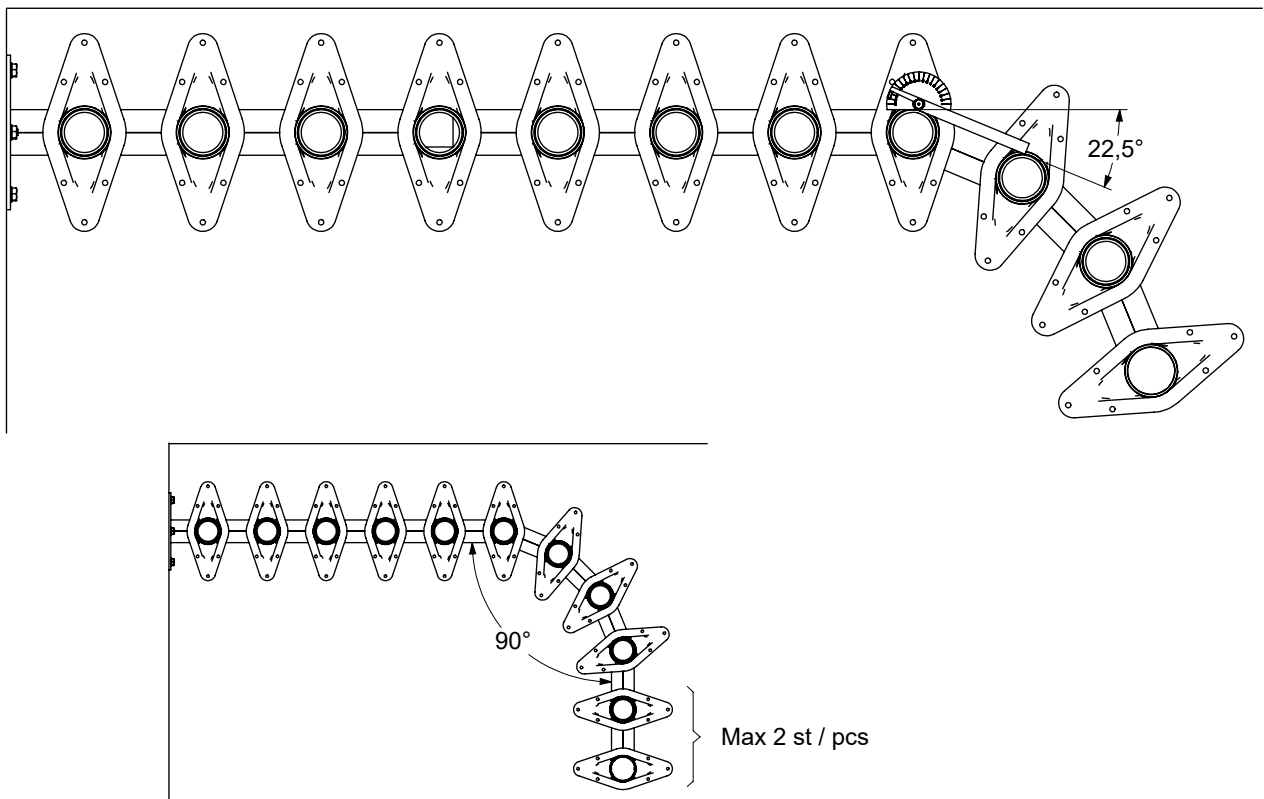
2

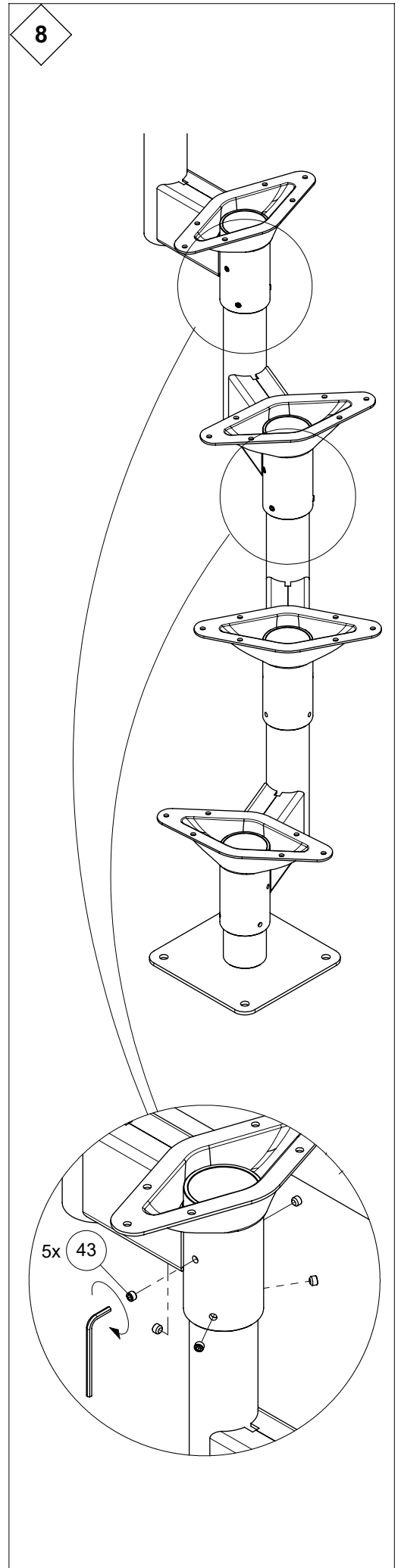
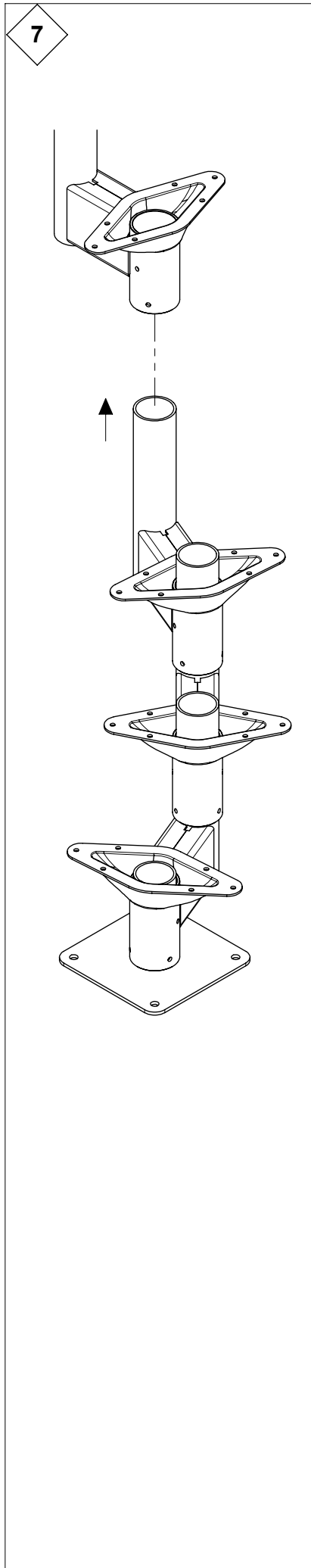
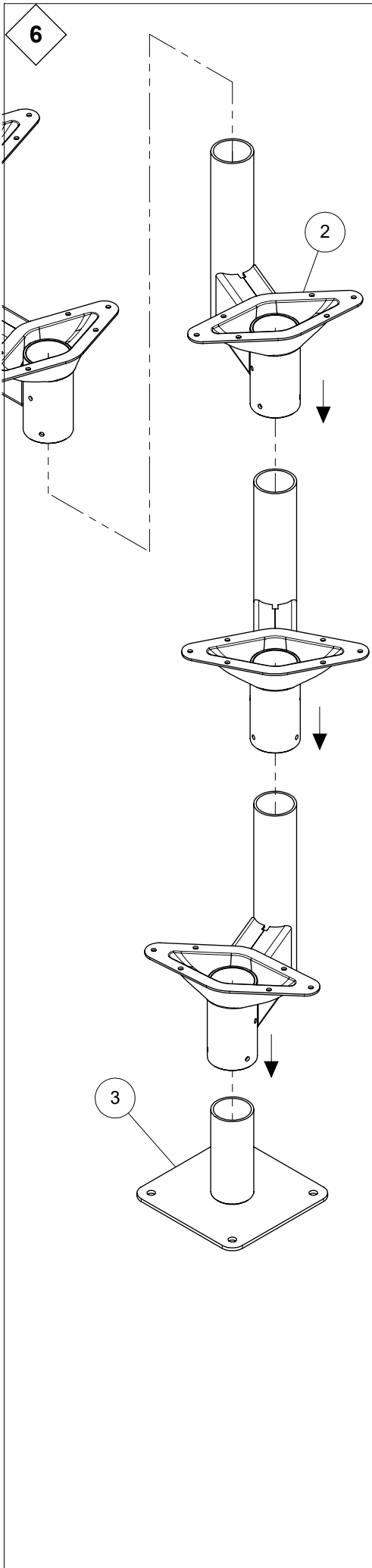


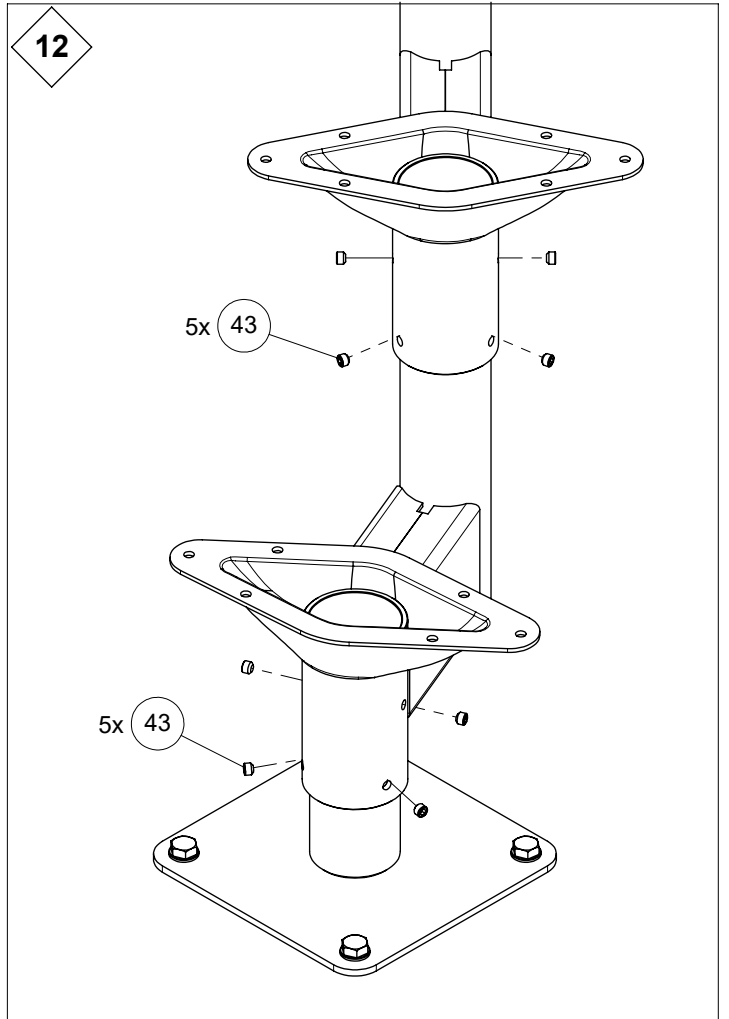
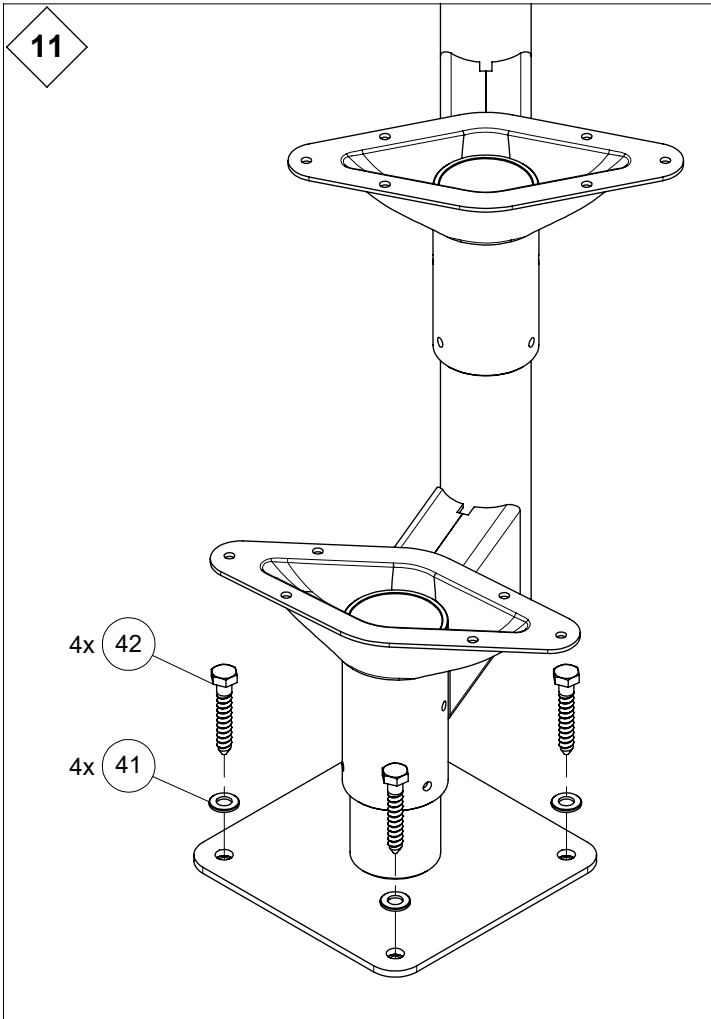
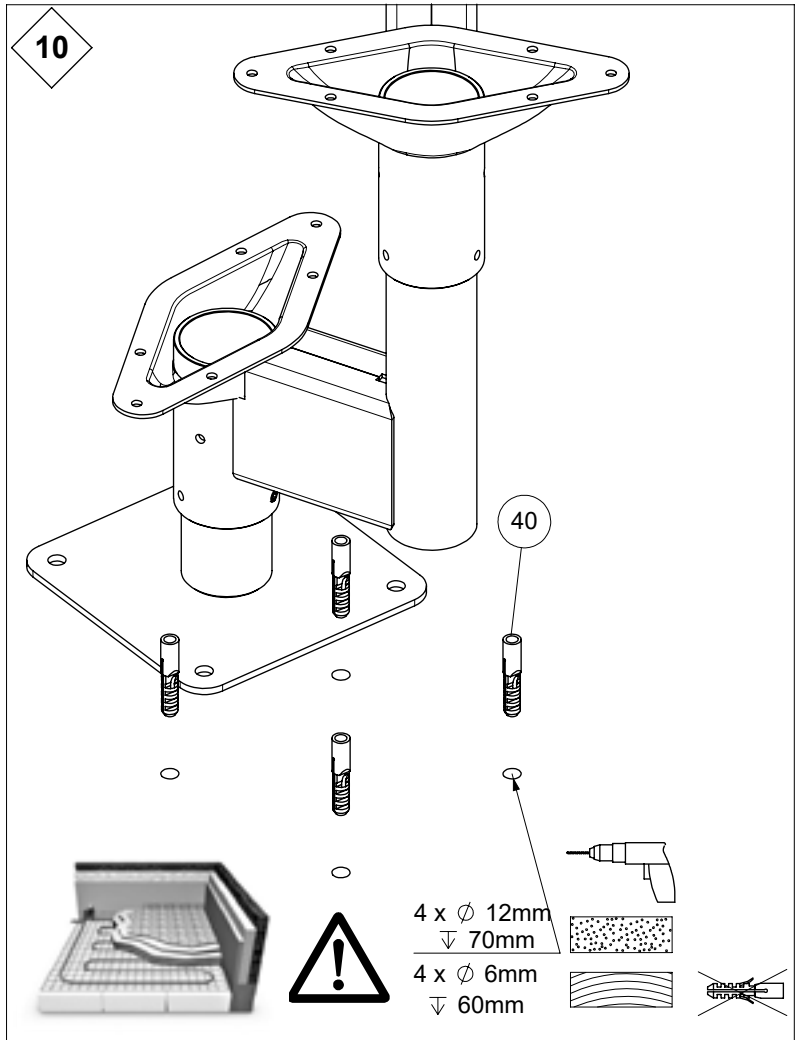
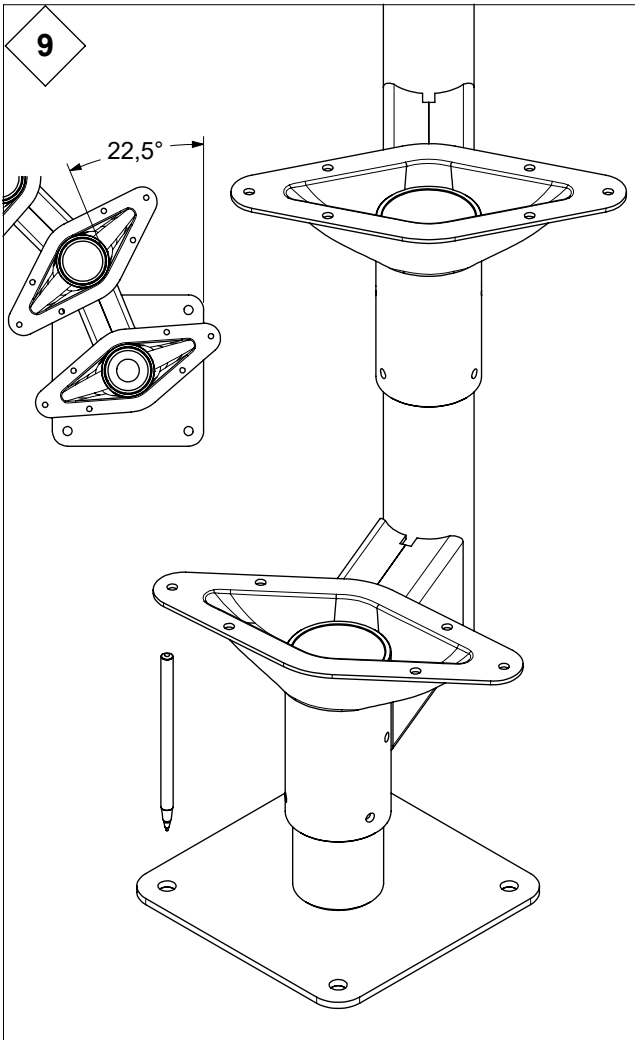
4

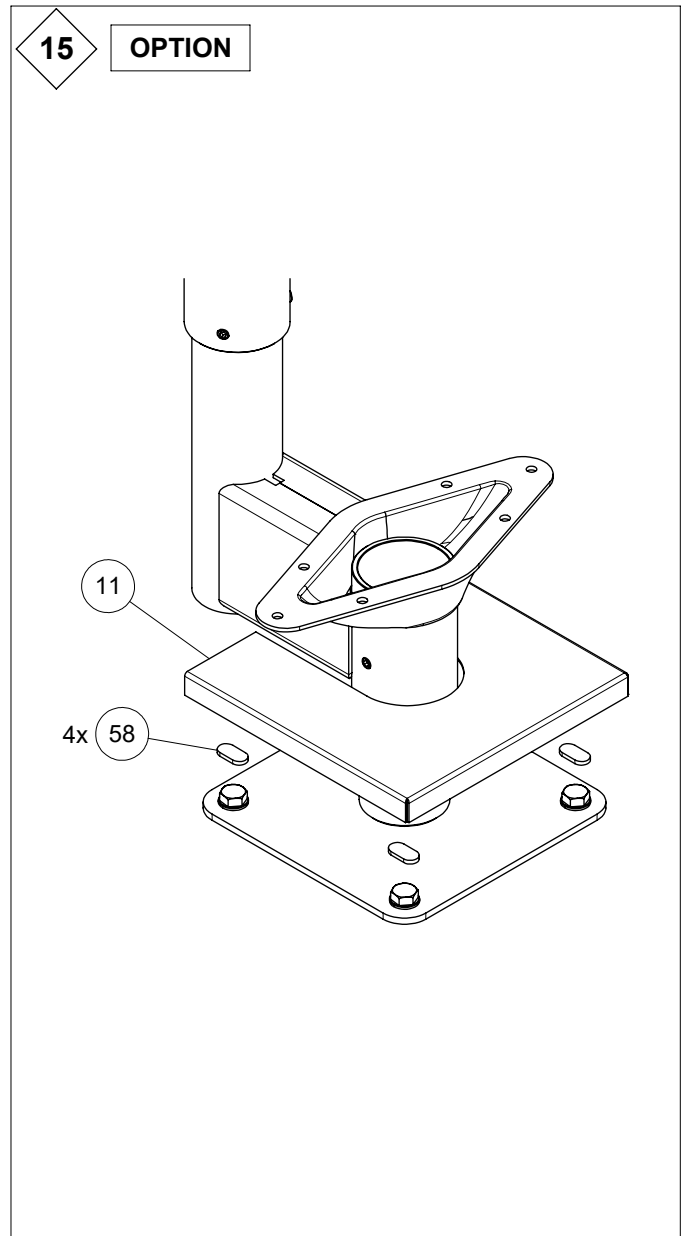
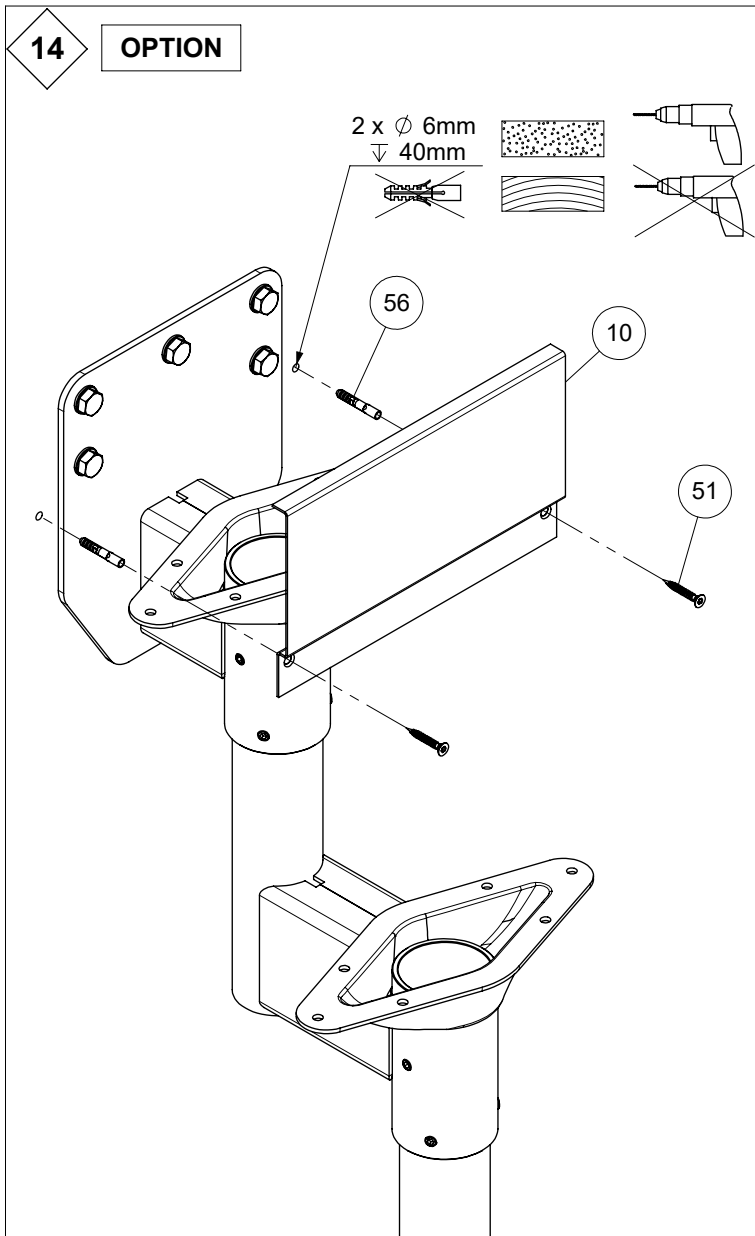
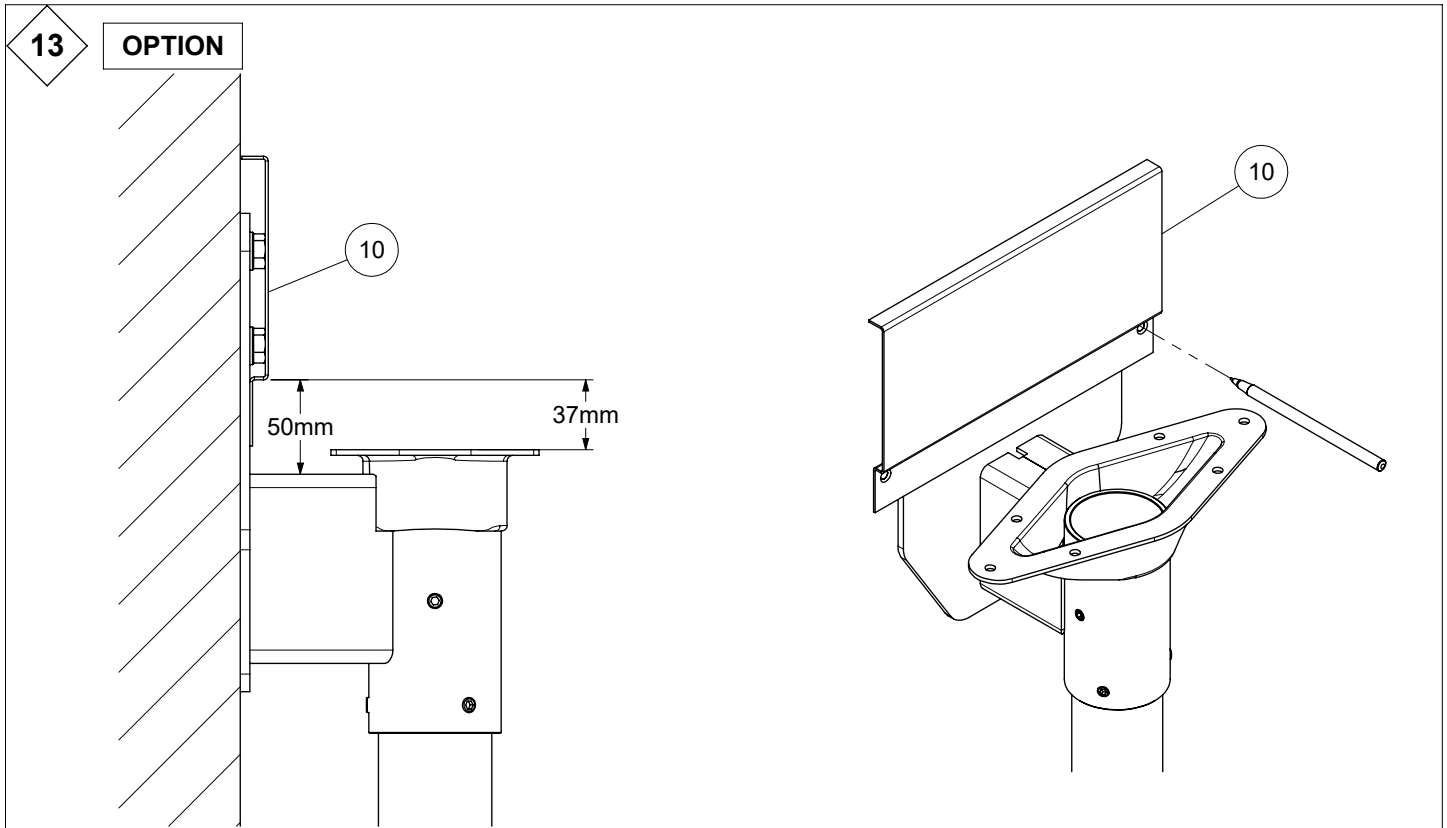


5

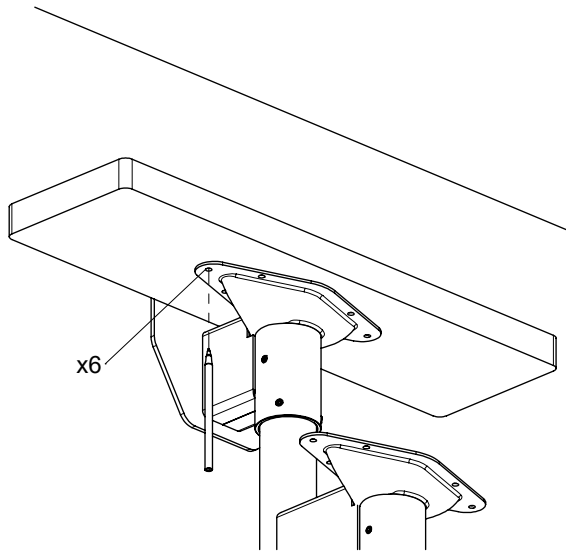
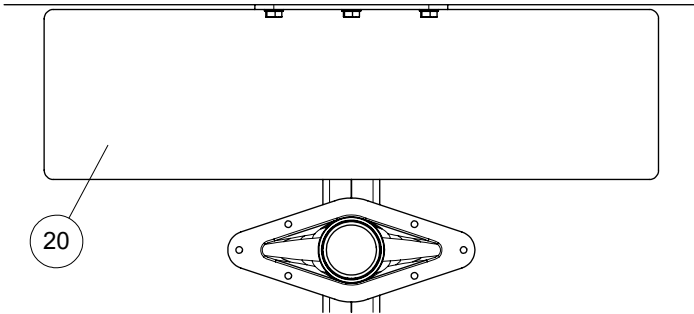
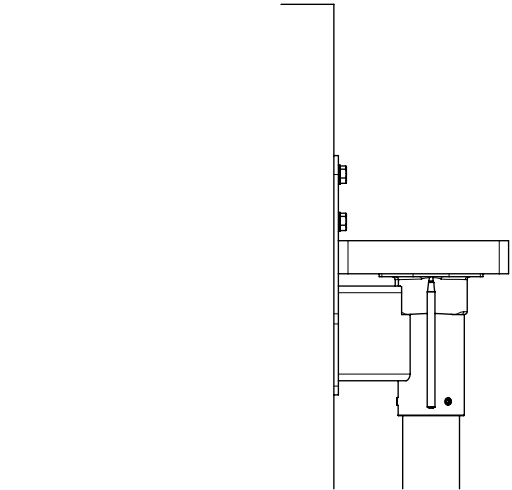
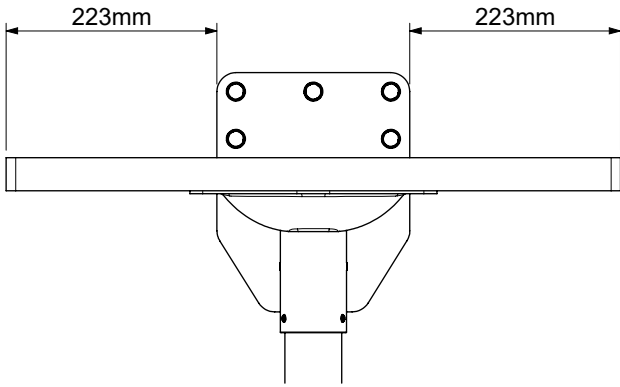




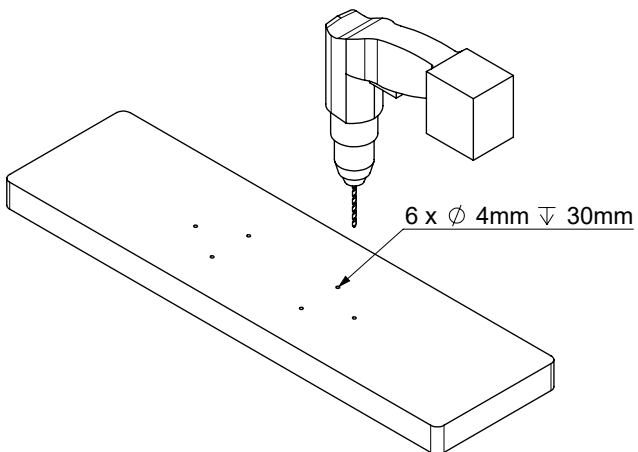




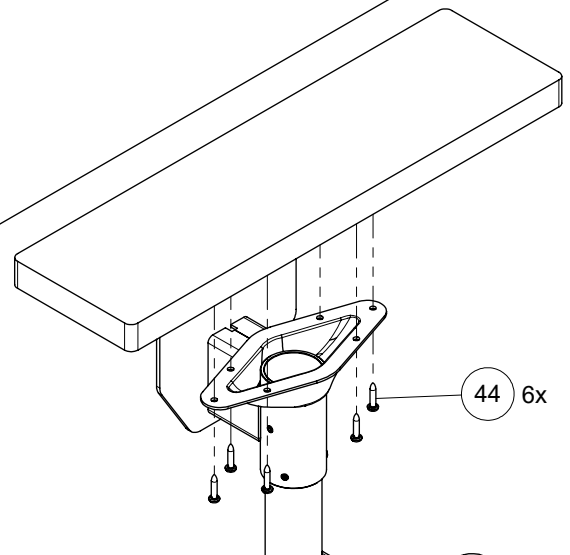
16



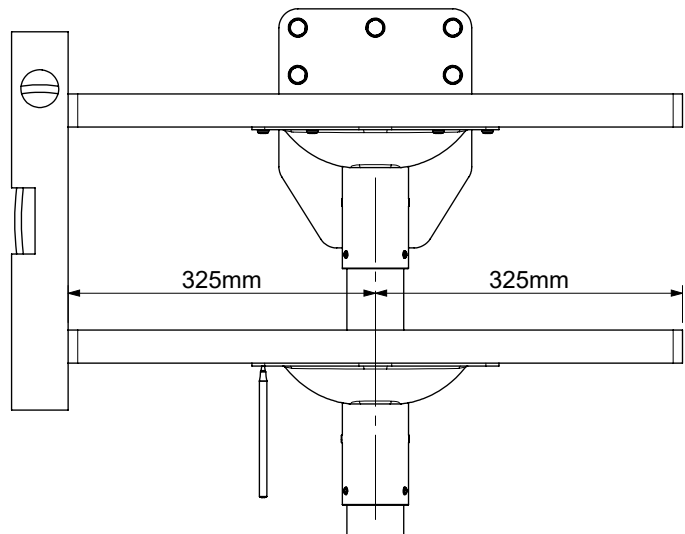
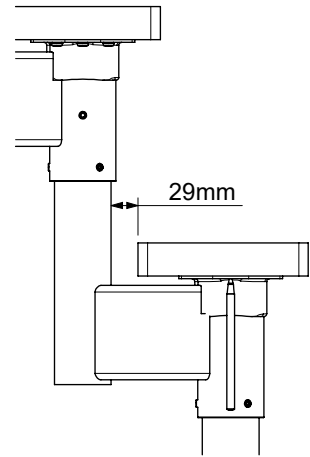
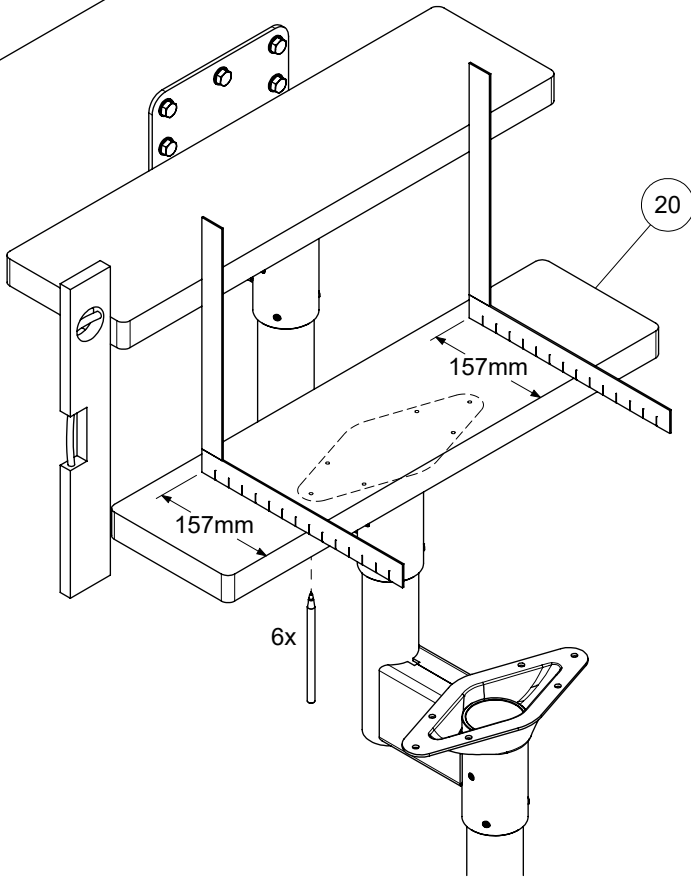
17

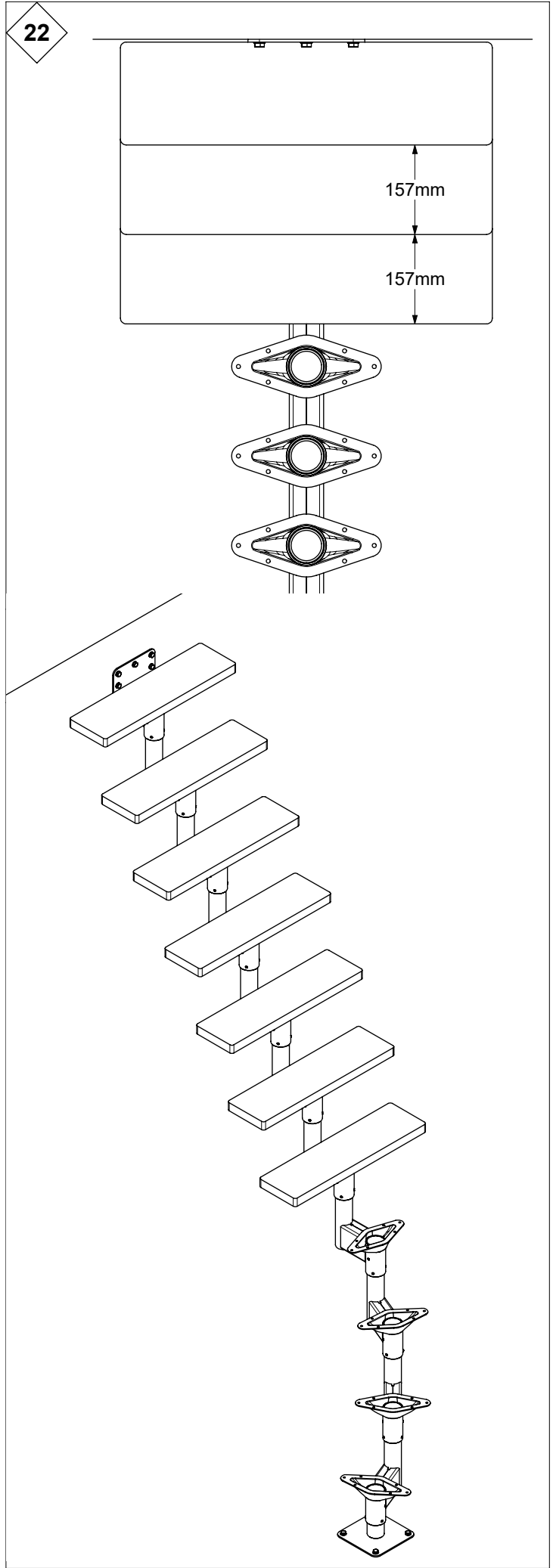
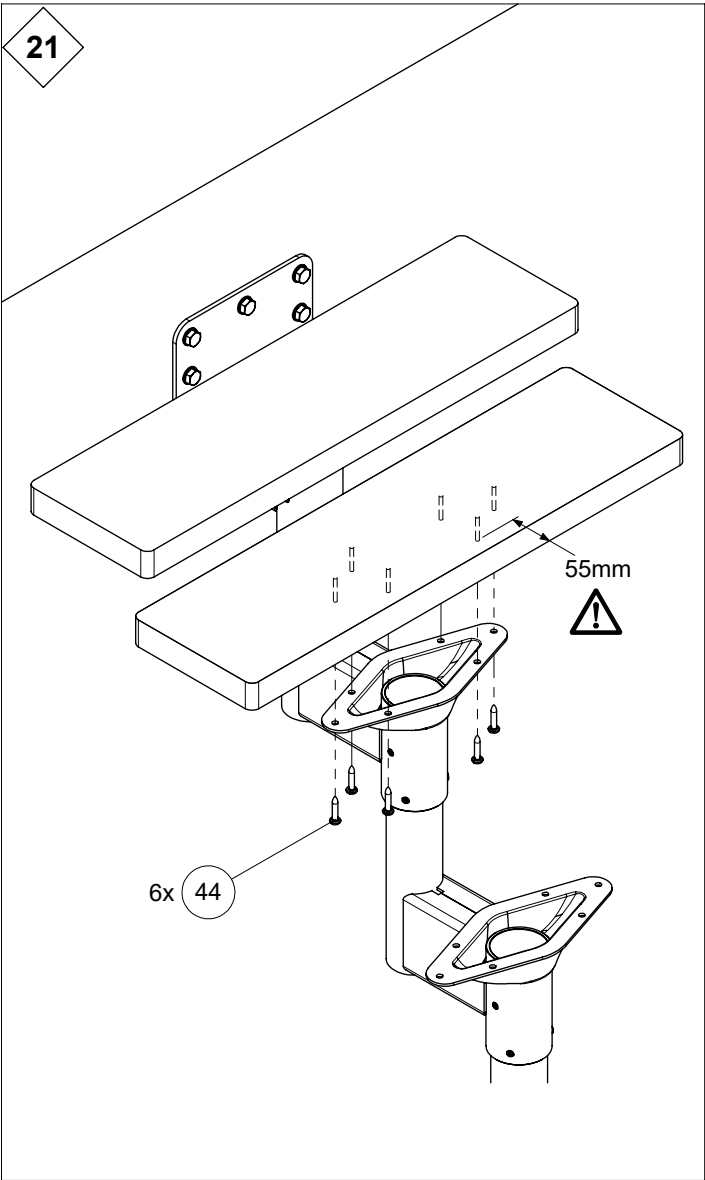
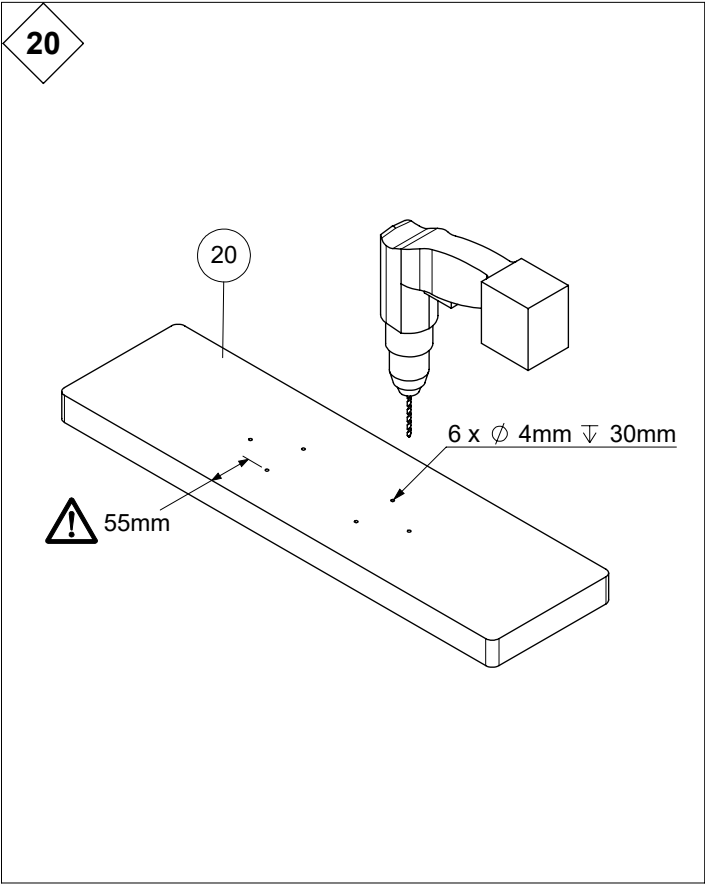


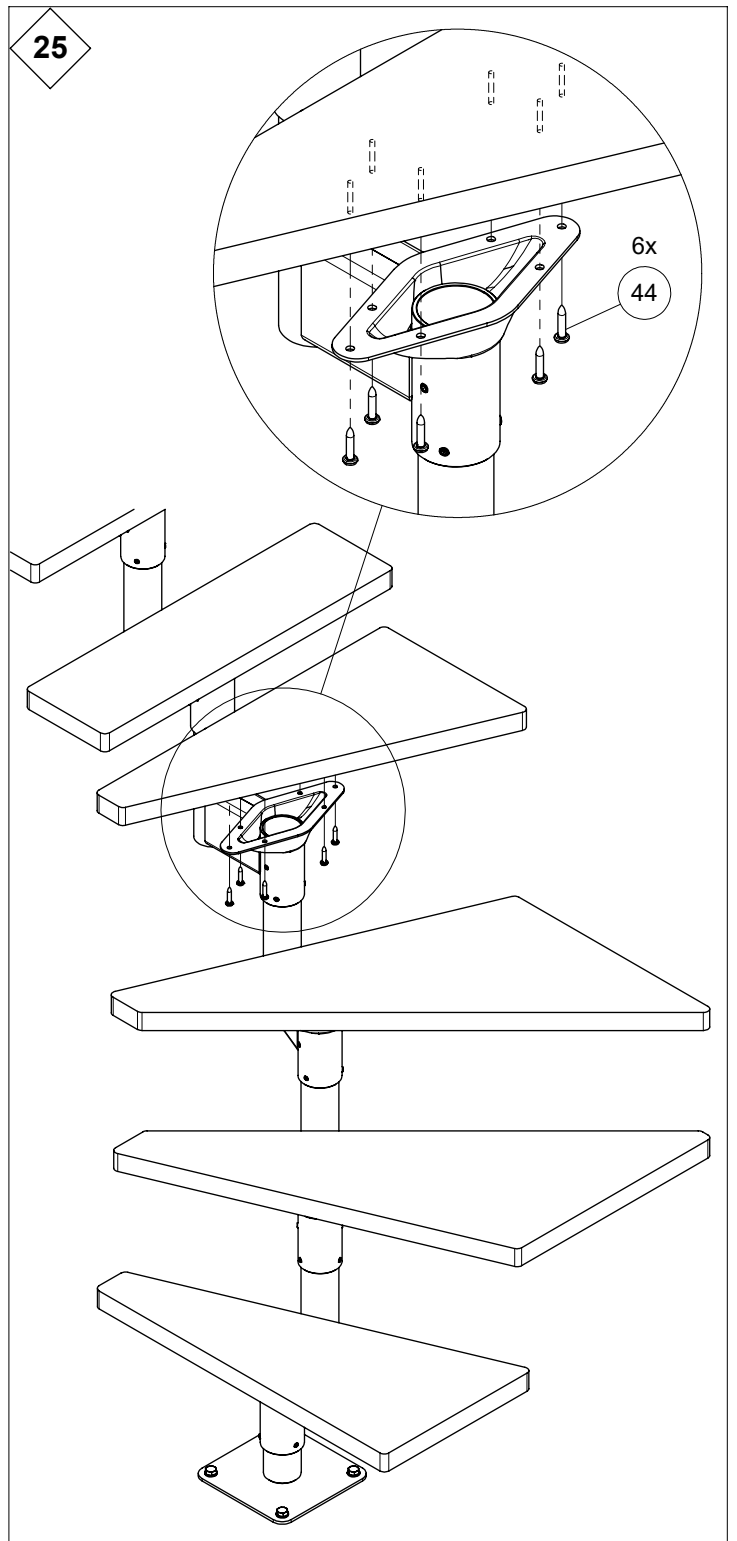
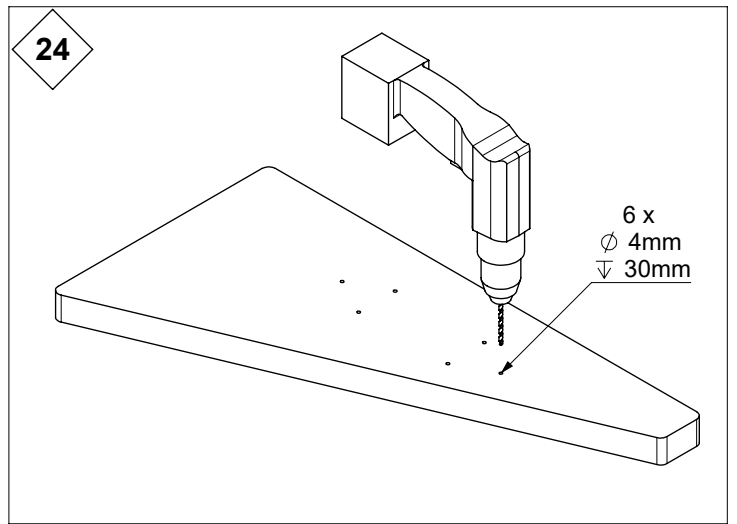
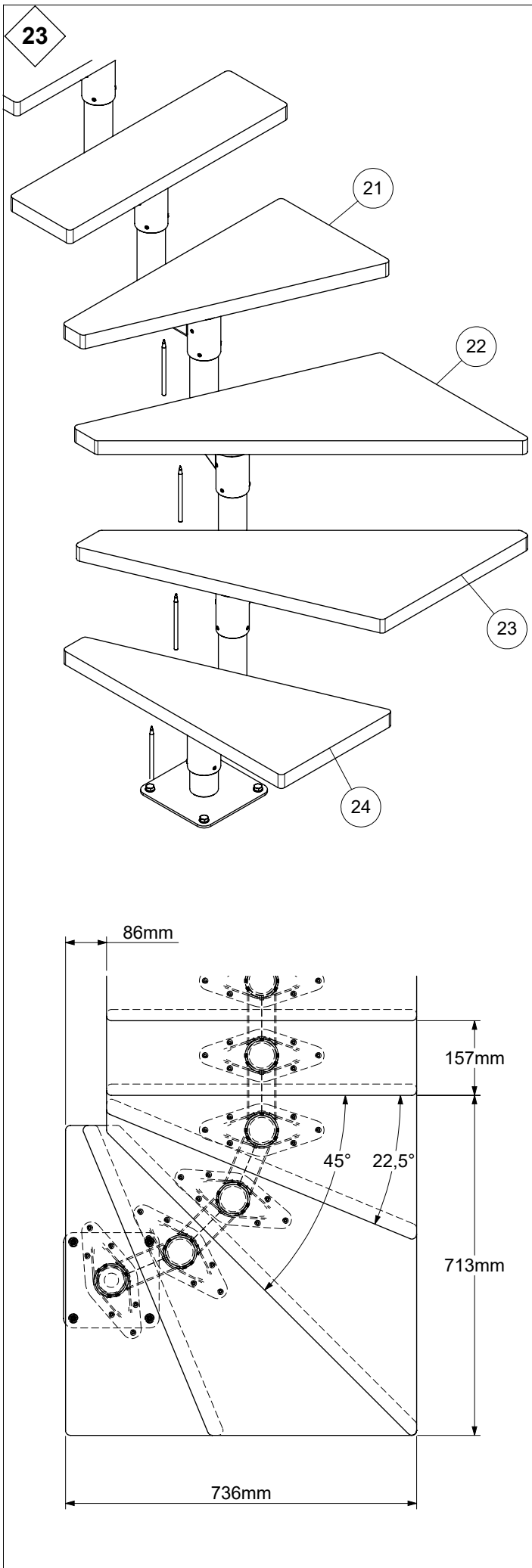
18



19

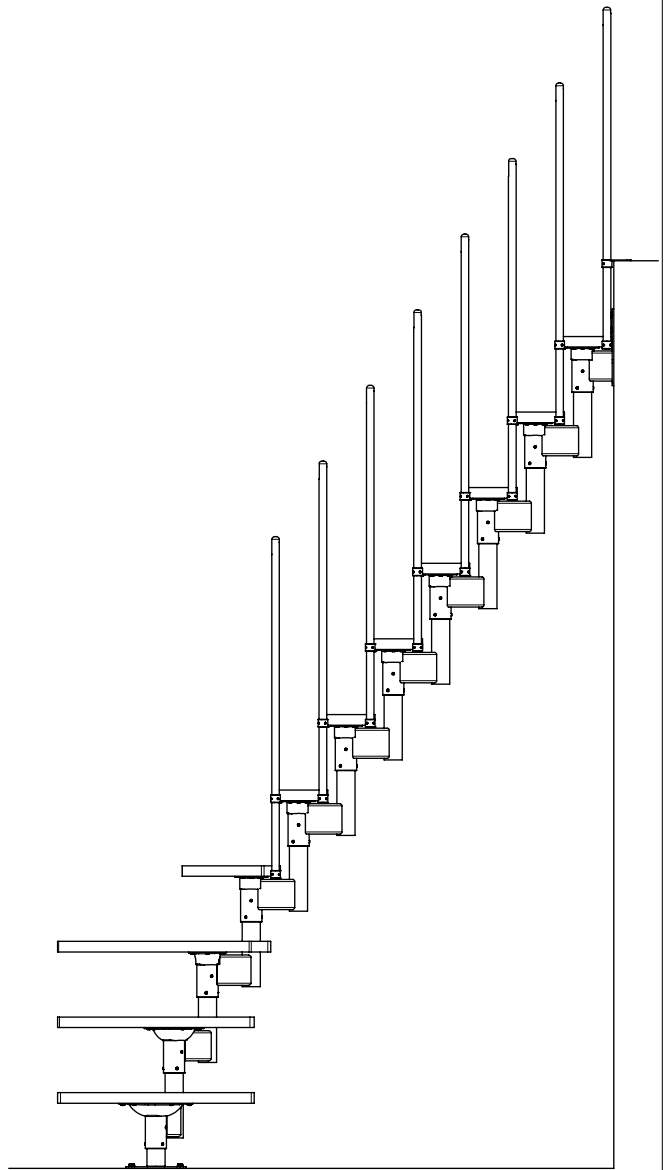
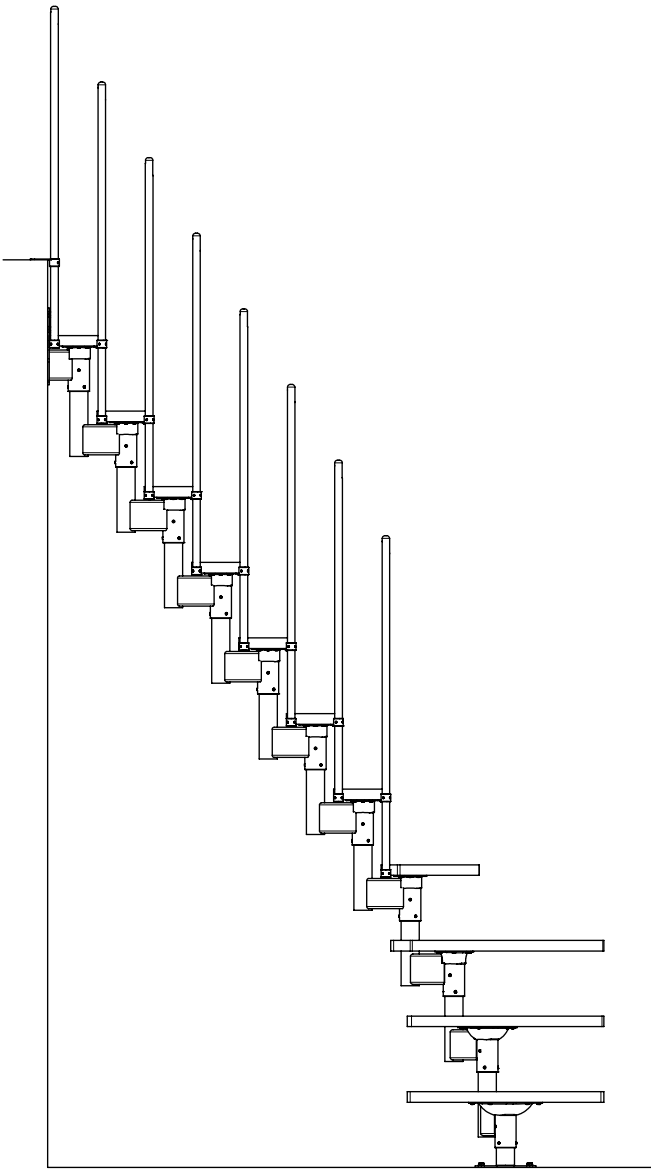




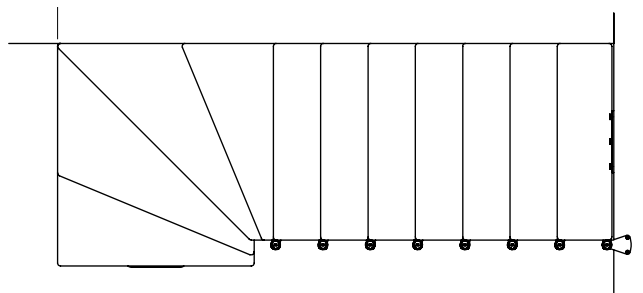
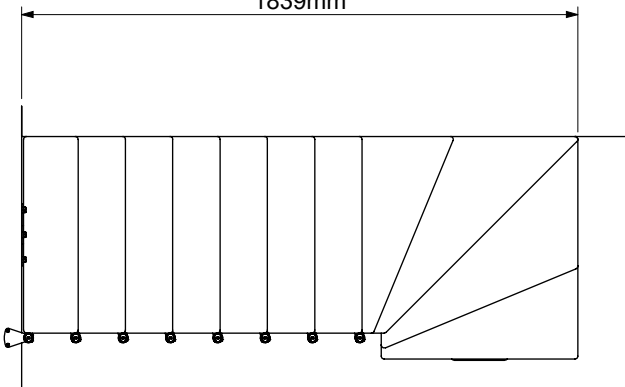


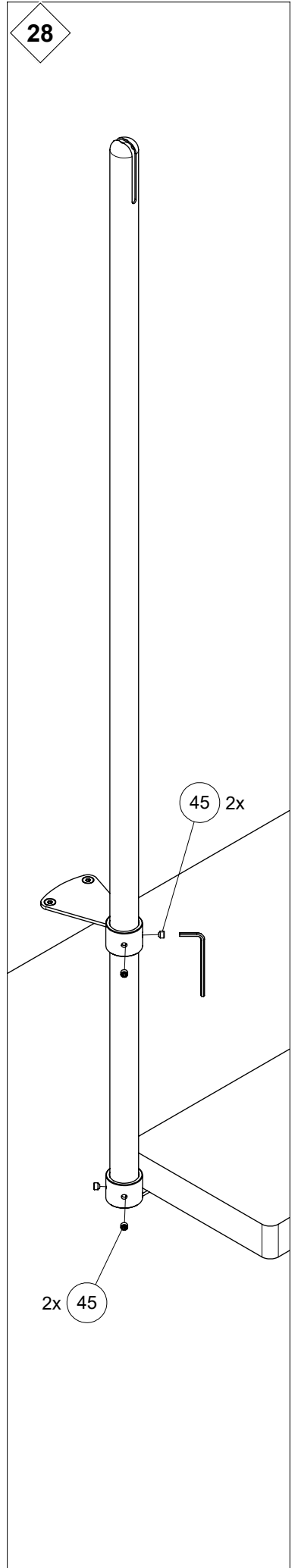
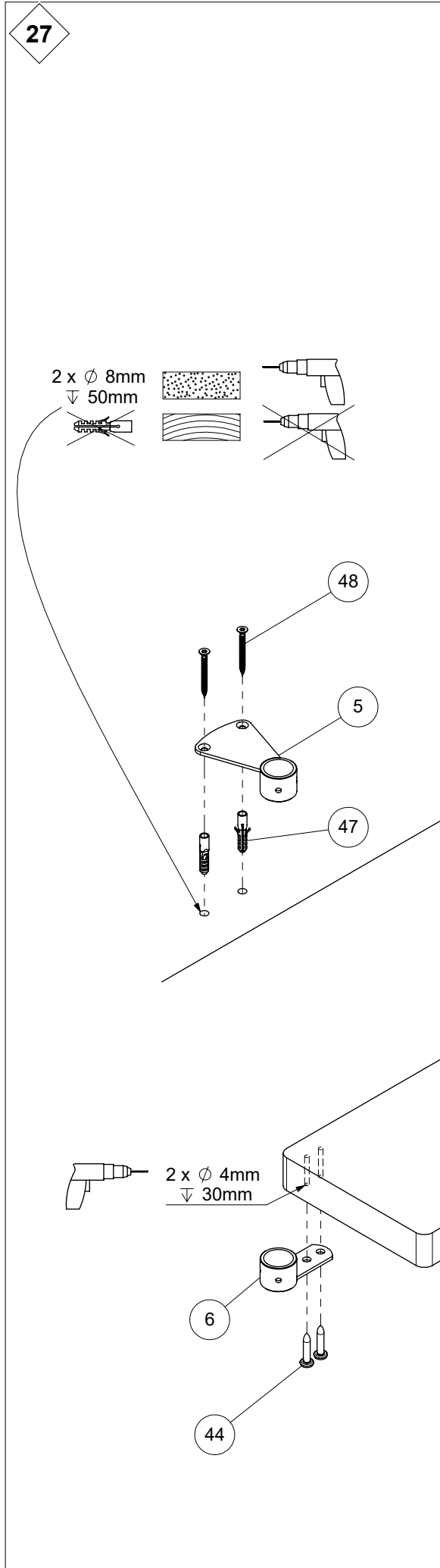
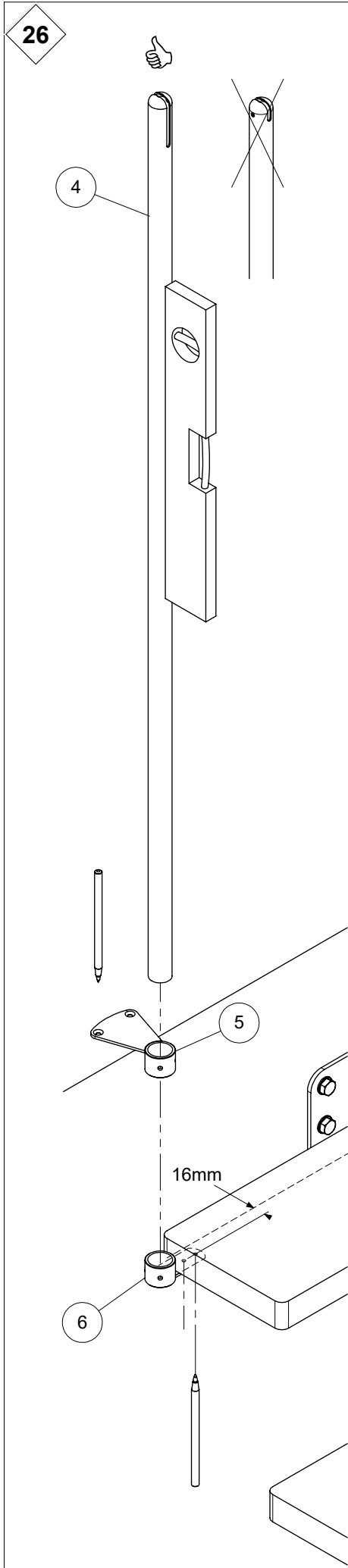
L

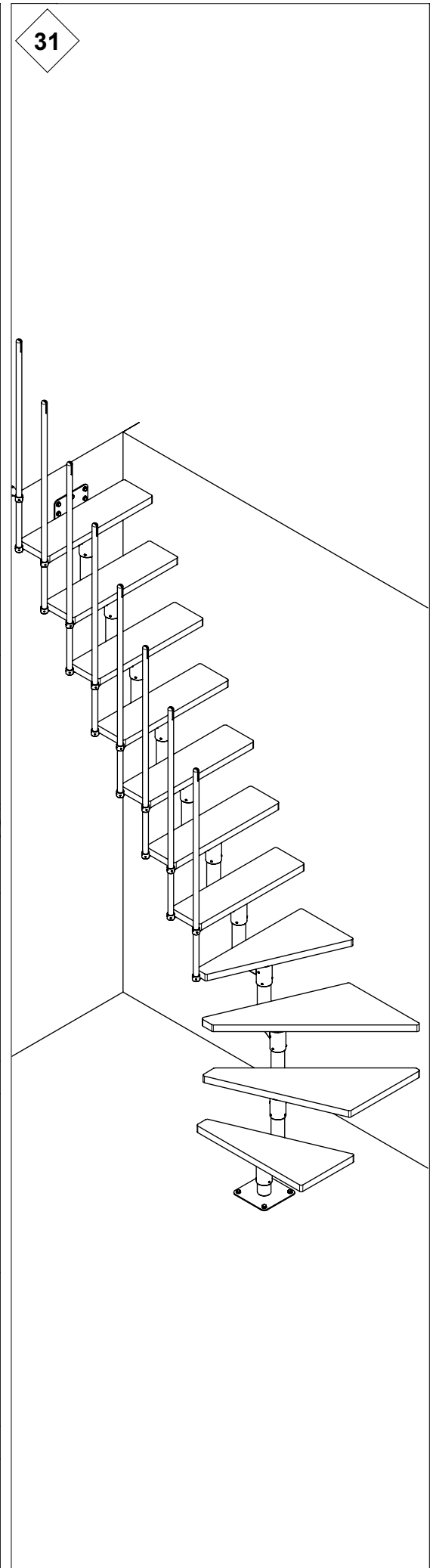
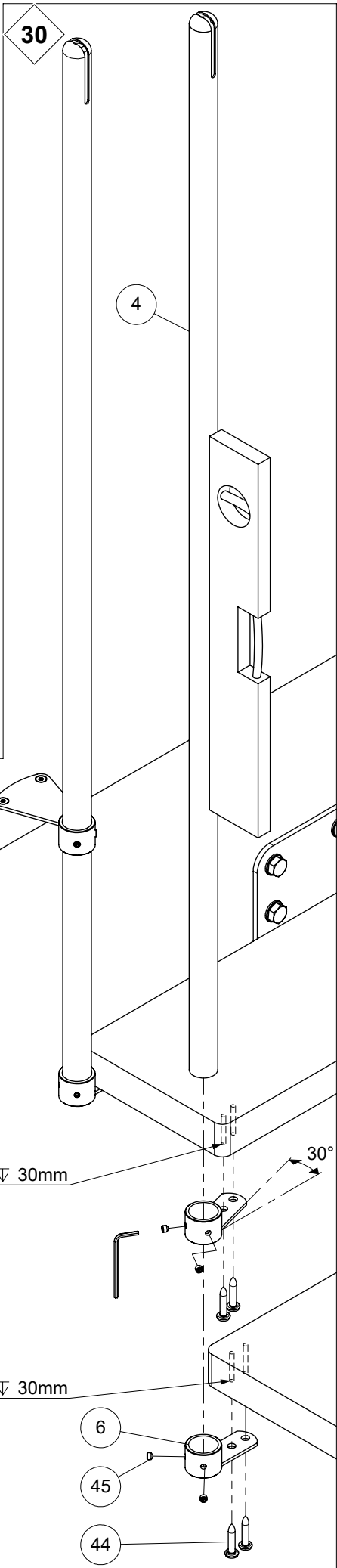
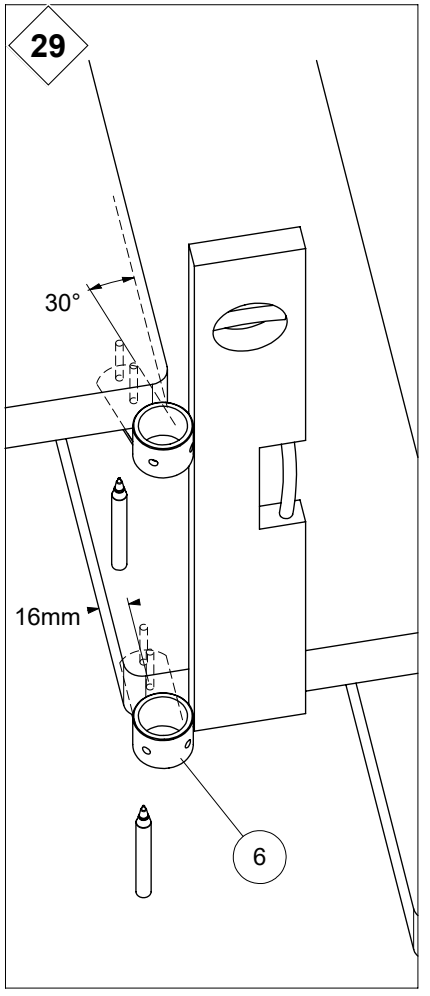
R

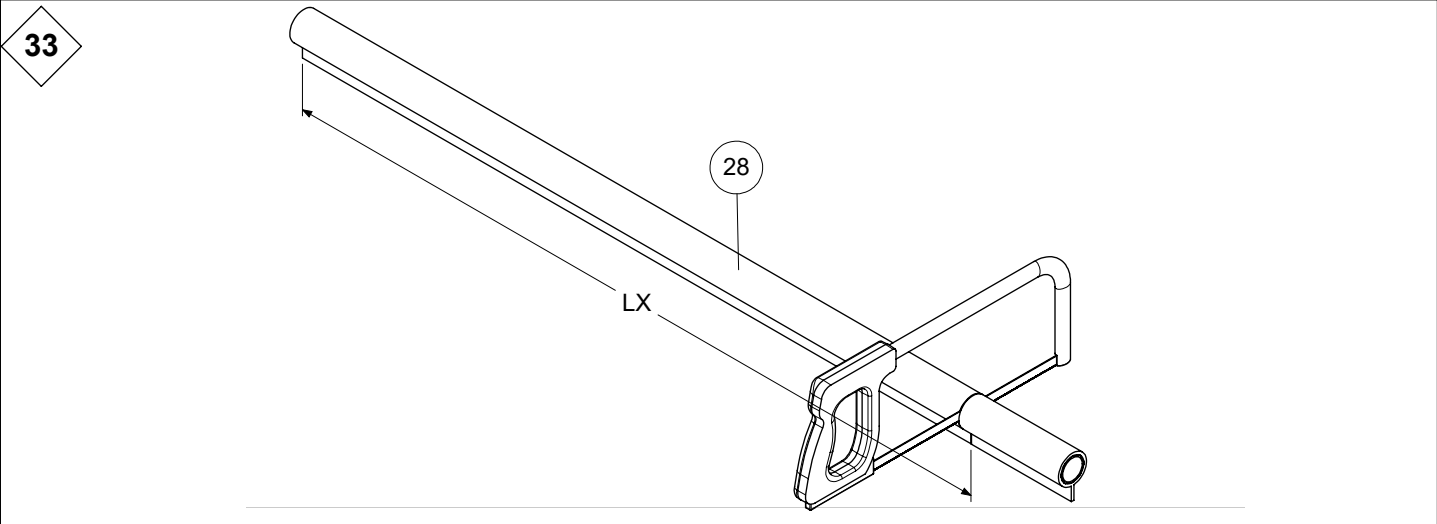
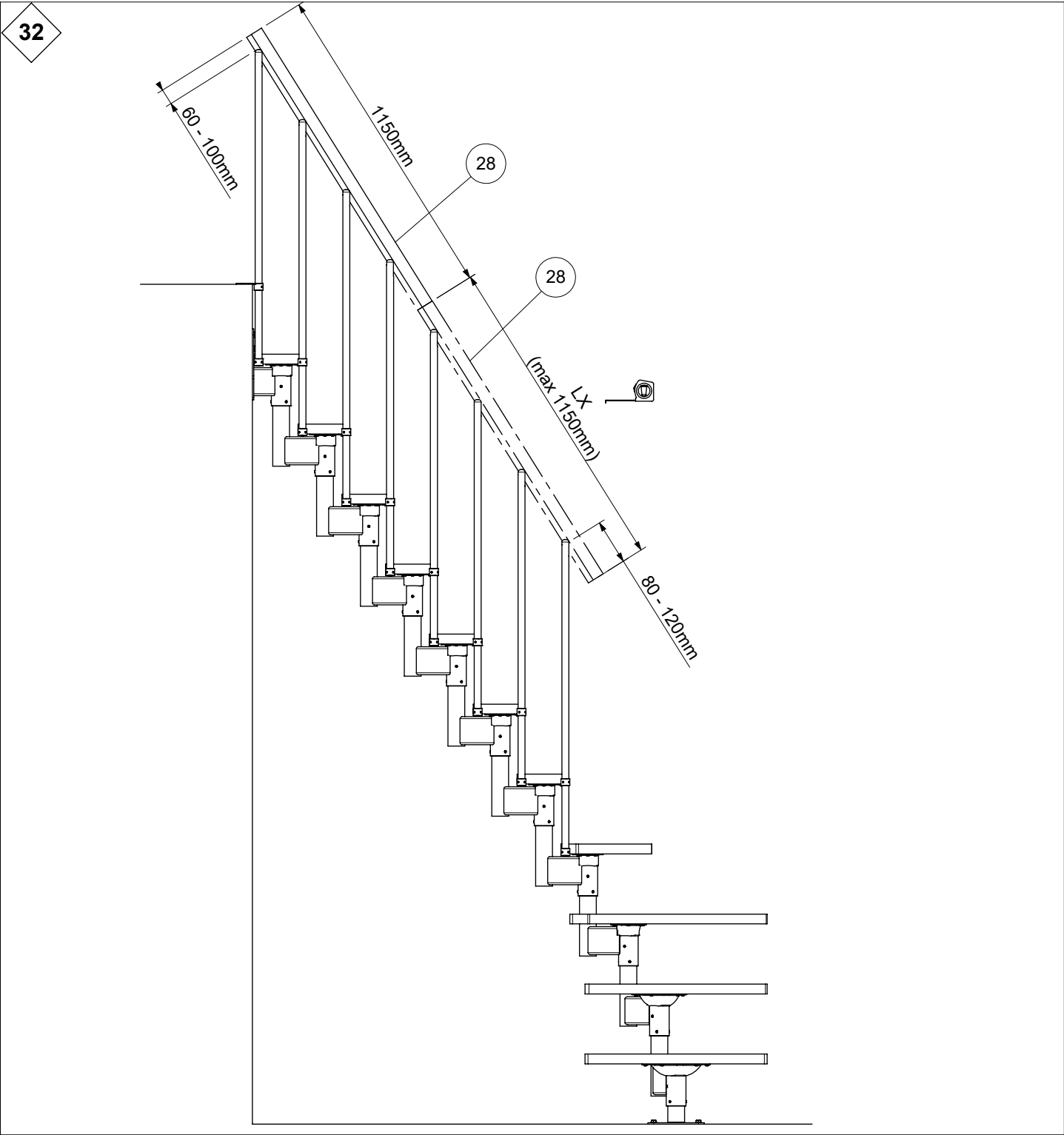


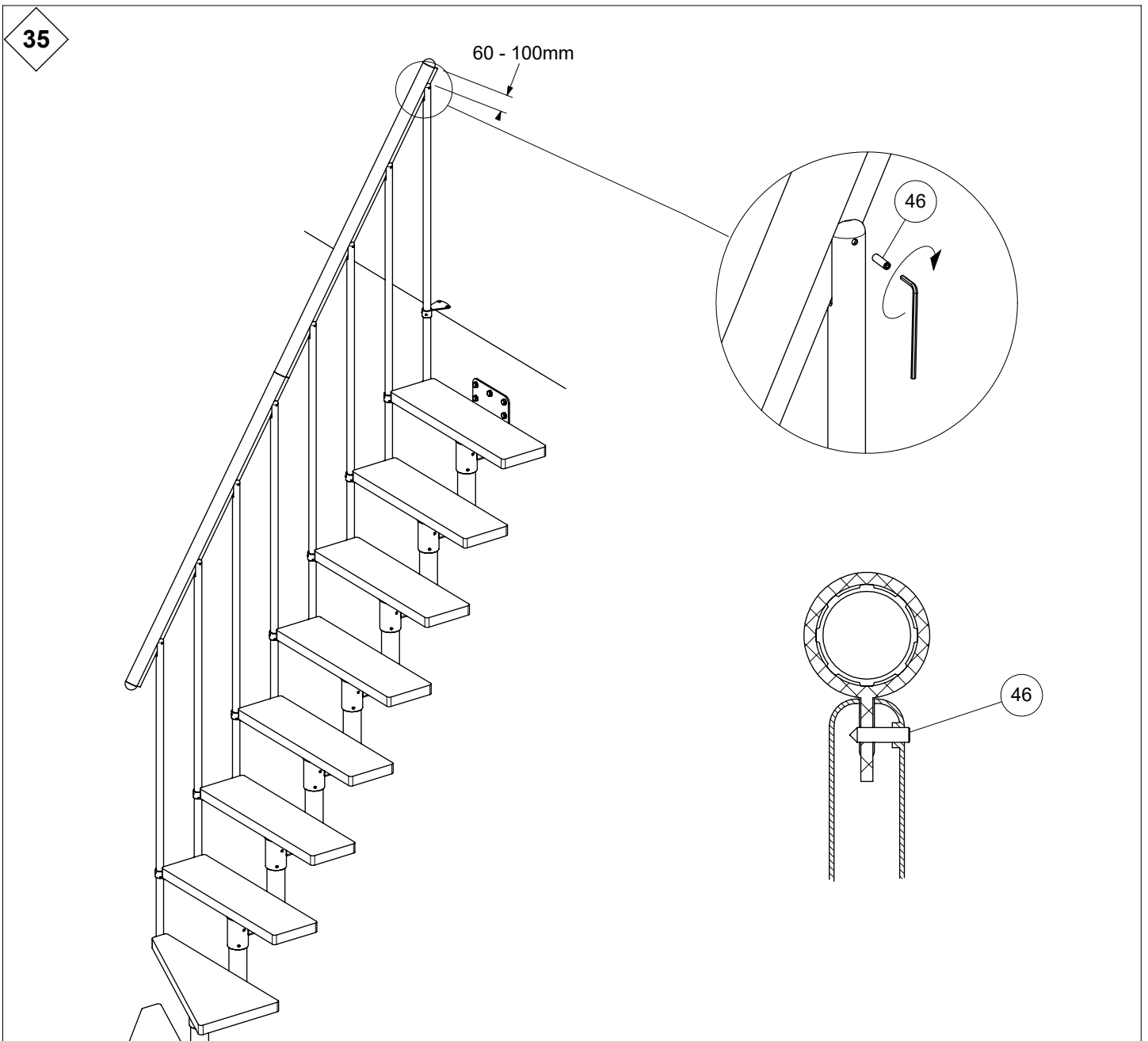
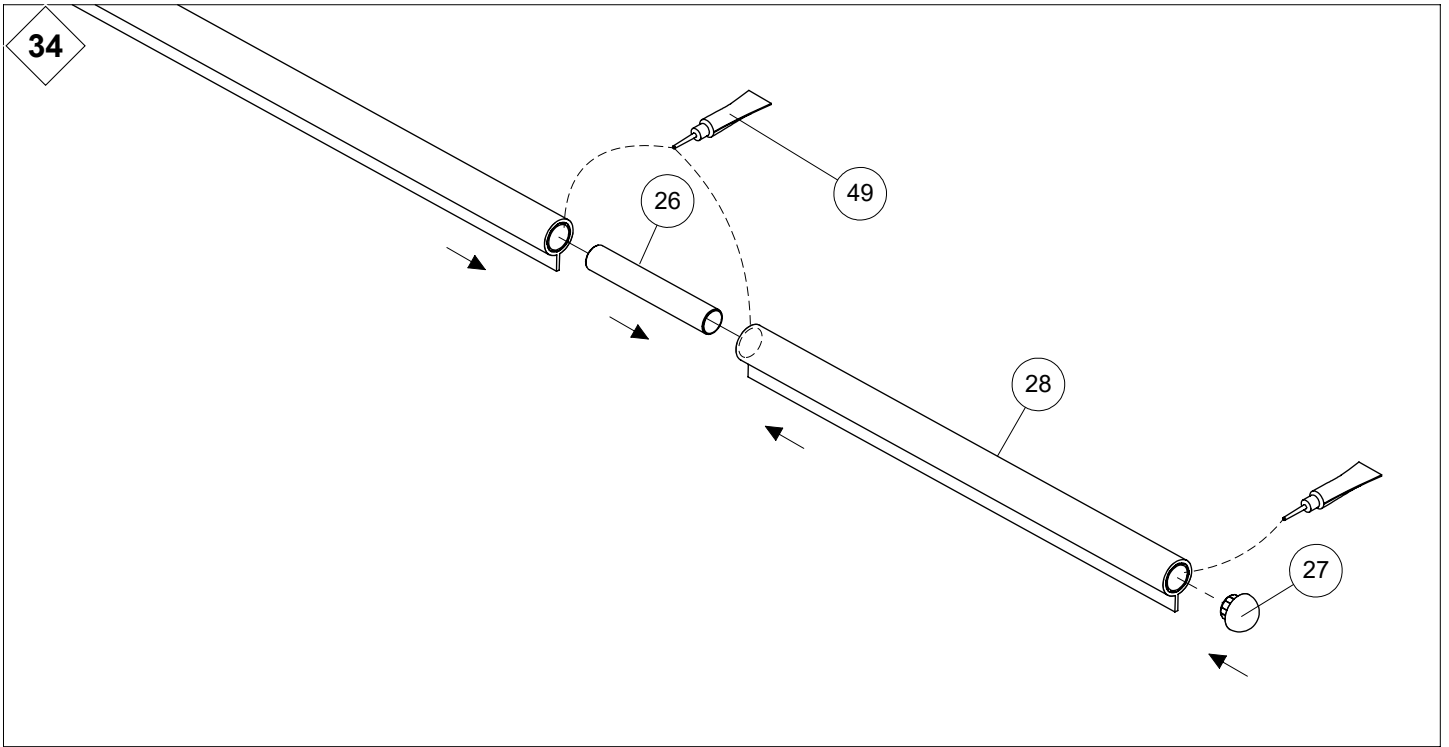
1839mm



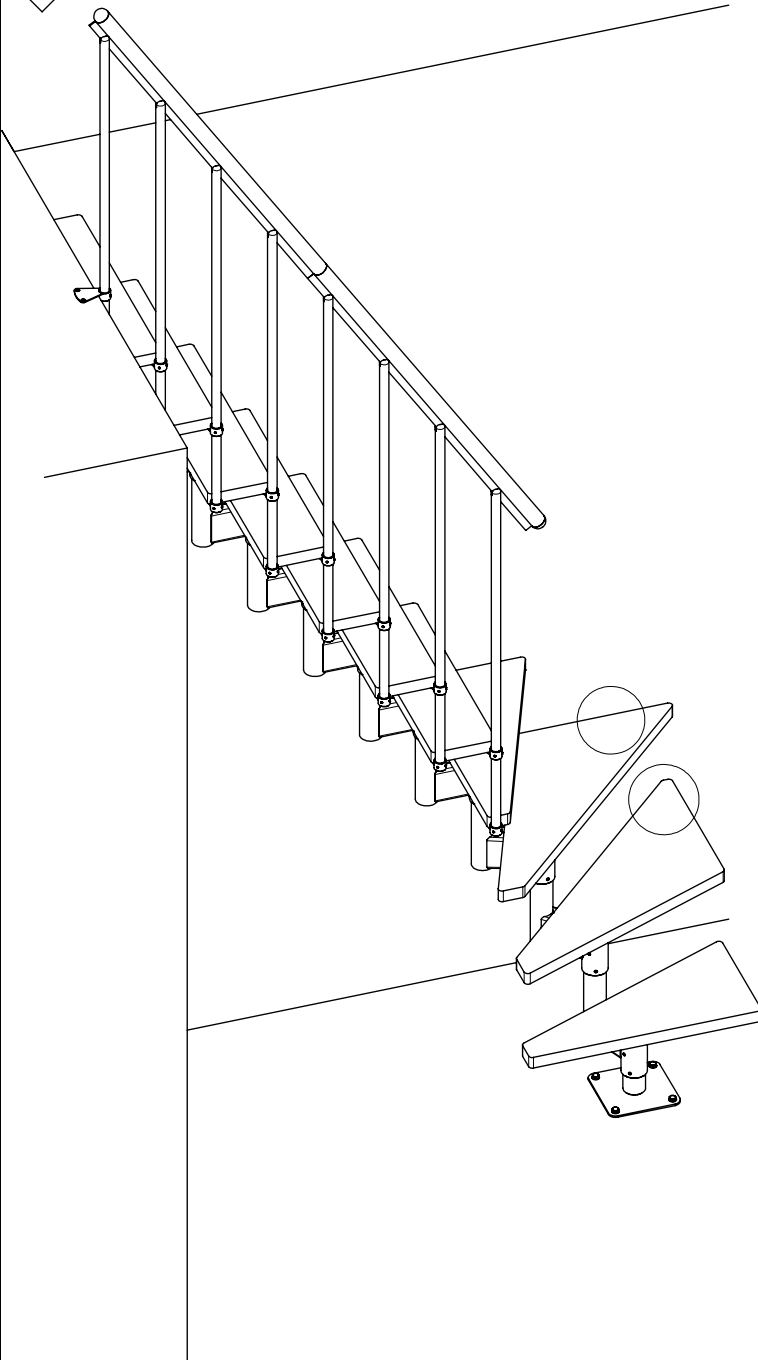




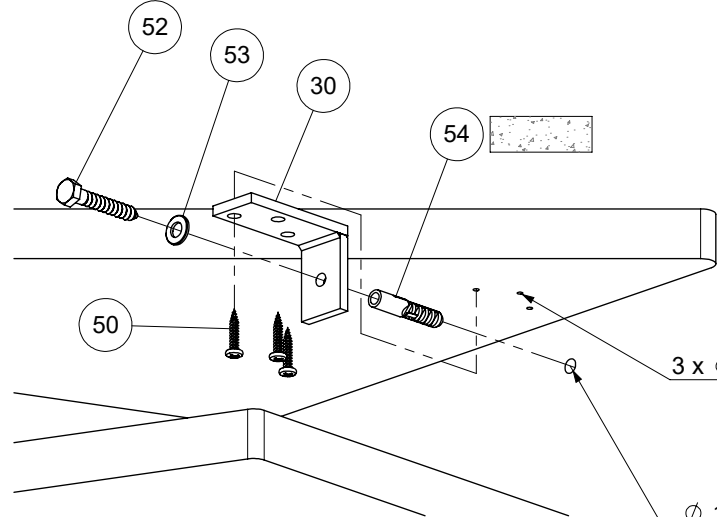
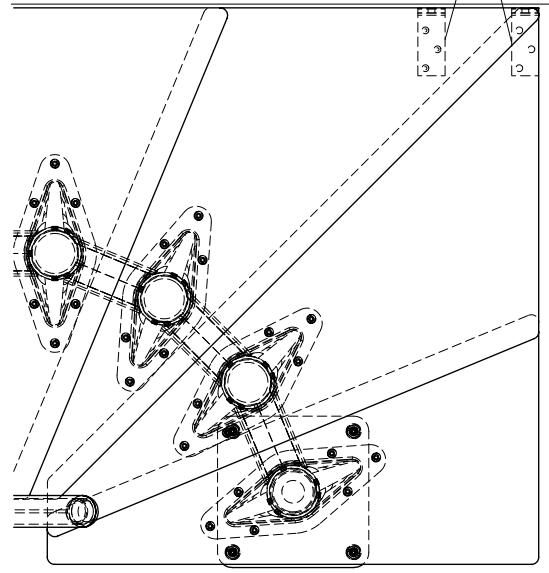




36



30



3 x \varnothing 4mm ∇ 25mm

\varnothing 10mm
 ∇ 70mm
 \varnothing 6mm
 ∇ 60mm

